



**Adam Tas Corridor Energy**

# **How to wire the socket on the back panel of the distribution box**





## How to wire the socket on the back panel of the distribution box

---

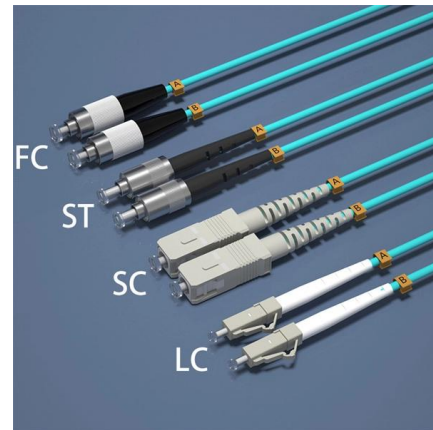


### A Step-by-Step Guide to Wiring an Electrical Panel Box

Find out how to properly wire an electrical panel box with a comprehensive diagram and step-by-step instructions.

### Wiring Diagram Of Distribution Panel » Wiring Diagram

In this article, we'll explore the wiring diagram of a distribution panel and break down what you need to know to safely and correctly power your



### How to wire a DB - Distribution Board Wiring -

The cable or wire size, the rating of breakers, fuse, etc depends on the type of wiring, purpose, and rating of loads. It should be properly selected as per

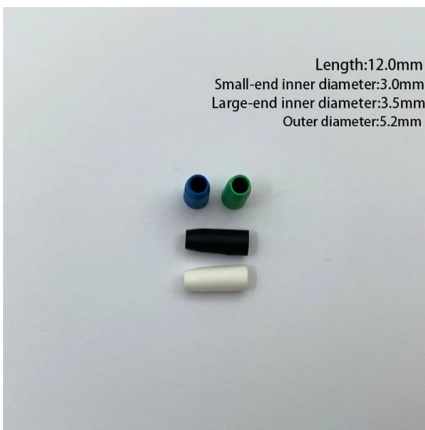
### Distribution Box Wiring Steps

?Wiring Direction?: Wiring between the main circuit breaker and each branch circuit breaker in the box generally goes on the left, and the wiring



## How to Wire 120/240V Main Panel

These three wires enter the meter box and then connect to the main panel. In the following tutorial, we will show how to wire 120V single-phase and 240V split



## Wiring Diagram Of Distribution Panel » Wiring Diagram

In addition to providing a visual representation of the wiring diagram, the distribution panel also has detailed specifications for each component. These



## Wiring a Breaker Box

Wires: Electrical wiring connects your panel to your circuits and devices. A Word of Caution Working with electrical panels is inherently





## How to Properly Wire a Circuit Breaker Panel: A Step-by-Step

Learn about circuit breaker panel wiring diagram, including how to properly wire a breaker panel for electrical safety and efficiency.

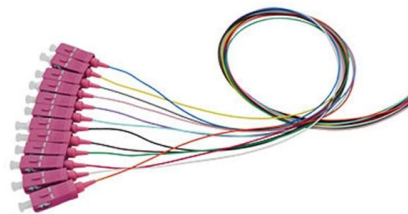


## How to Install a Circuit Breaker: 14 Steps (with Pictures)

However, installing circuit breakers into most residential electrical panels doesn't have to be dangerous or overly complicated. By understanding the layout of your electrical panel and taking

## Everything You Need to Know About Load Center

Learn how to read and understand a load center wiring diagram, including the different components and connections involved. Find step-by-step instructions



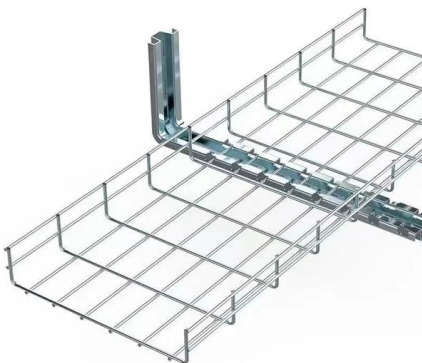
## A step-by-step guide to wiring your breaker box

Learn how to read and understand wiring diagrams for breaker boxes to ensure proper electrical configurations and safety measures.



## How to Wire Single-Phase Consumer Unit with RCD?

In this tutorial, we will be showing how to wire a single phase consumer unit for 230V with and without RCD's according to IEC. We will be using the IEC wiring color

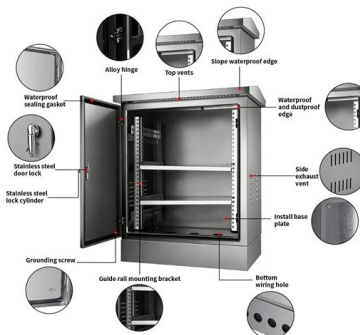


## How to Wire a Home Distribution Box

Welcome to our channel! In this video, we'll walk you through the process of wiring a home distribution box with a detailed connection diagram.

## Home Distribution DB Box Wiring Connection Diagram , DB box wiring

Welcome to our channel ?@Electricalgenius? In this video, we'll take you through a detailed step-by-step guide on wiring a home distribution DB (Distribution Board) box.



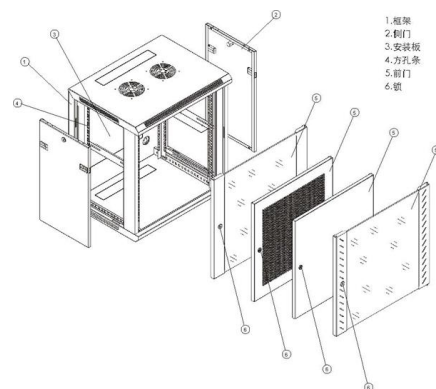


## How to Wire a Home Distribution Box

How to Wire a Home Distribution Box - Step-by-Step , Distribution DB box wiring diagram  
Welcome to our channel! In this video, we'll walk you through the

## Home Distribution Box (DB) Wiring Diagram , DB box connection

In this video, I'll show you the complete wiring diagram of a home distribution board (DB). You'll learn how to connect the main circuit breaker (MCB), resid



## Line vs. Load Wiring: What's the Difference?

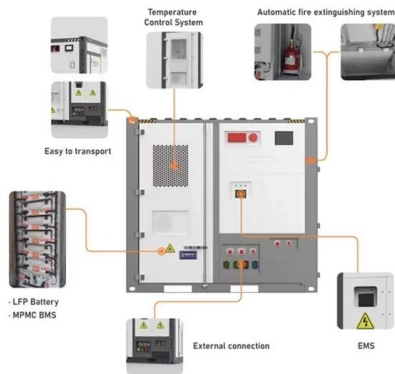
The electrical terms "line" and "load" refer to wires that deliver and carry power. Read on to learn more about line vs. load wiring.



## Distribution panel wiring diagram , DB panel wiring method /

Welcome to our channel! In this video, we'll guide you through the complete wiring diagram of a distribution panel. Whether you're a professional electrician or a DIY enthusiast, this step-by



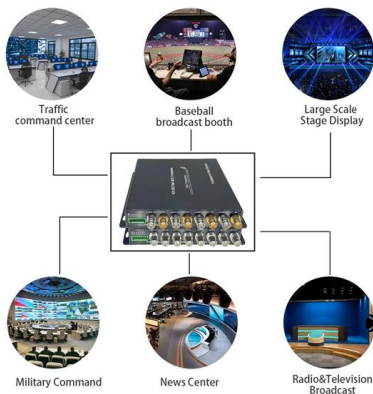


## How to Wire a Home Distribution Box

In this video, we'll walk you through the process of wiring a home distribution box with a detailed connection diagram.

## How To Wire A Main Electrical Panel

In this video I show you how to wire a main electrical panel from start to finish. I show you how to wire a panel box neatly and very detailed to give a good looking wiring job.



## How to Wire a Single Phase Breaker Box: Step-by-Step

A single phase breaker box, also known as a distribution board, is an electrical panel that controls and distributes electrical power in residential and commercial

## How to Wire a Home Distribution Box

In this video, we'll walk you through the process of wiring a home distribution box with a detailed connection diagram. Whether you're an electrician



### **The installation requirements for the distribution box**

Learn how to install a distribution box safely and correctly. Covers wiring, placement, standards, and expert tips for a compliant setup.



### **Distribution box Wiring Connection Diagram , Animated Guide , DB Box**

Welcome to our comprehensive animated guide on home distribution wiring connection diagrams! In this video, we'll walk you through the essentials of wiring y



### **Distribution db box wiring diagram**

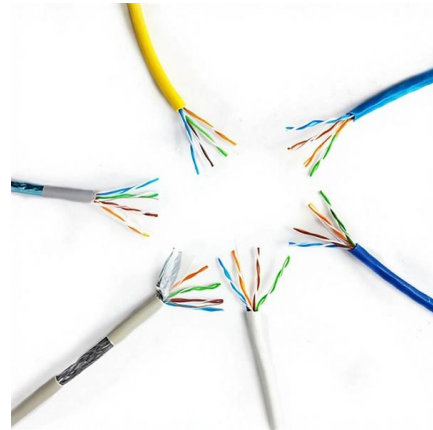
A distribution board DB is where the electrical supply is distributed from within the building home. The main supply cable comes into the board and is then distributed to the breakers and from





## on video **How to Wire a Home Distribution Box**

How to Wire a Home Distribution Box - Step-by-Step , Distribution DB box wiring diagram  
Welcome to our channel! In this video, we'll walk you through the



## Contact Us

---

For datasheets, pricing, or custom telecom energy solutions, please visit:  
<https://www.koskolong.co.za>