



Adam Tas Corridor Energy

Identifying the A and B ends of the optical cable





Identifying the A and B ends of the optical cable



Fiber Optic Connector Guide , Fiber Optic Connector

Fiber optic connectors are engineered to provide perfect alignment of the microscopic glass fibers used in fiber cables to transmit data. These sort of

How to Identify Coaxial Cable Ends , Bafitop Connector

Learn how to identify coaxial cable ends, distinguish male vs female, and recognize F-type, BNC, SMA, and N connectors for TV, RF, and CCTV



Fiber Optic Connector Identifier

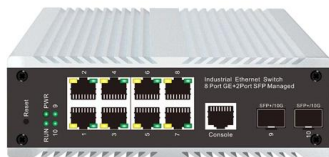
Fiber Optic Connector Identifier Connector Identifier

MPO Polarity Explained: Type A, B, and C With Use Cases

Learn how MPO polarity works and explore the differences between Type A, B, and C. This guide



covers trunk vs breakout applications, real-world



Polarity Basics

Polarity Basics What is Polarity in Fiber Optic Networks? Polarity in fiber optic networks refers to the alignment of transmit (Tx) and receive (Rx) signals

The differences between optical fiber grades A, B, C, and D

The differences between optical fiber grades A, B, C, and D primarily pertain to the quality of the fiber end-face, which significantly impacts performance metrics such as insertion loss (IL) and return loss



Polarity in MTP®/MPO Fiber Cabling Applications

The transmitting end and the receiving end at both ends of the optical link is known as polarity. Polarity defines direction the optical signal travels in the



Stop Drawing Fiber Polarity--Start Mapping It with

Because fiber systems are directional, maintaining polarity is crucial. It defines the direction that optical signals travel inside the fiber. Without polarity,



Optical fiber connector

Optical fiber connectors are used in telephone exchanges, for customer premises wiring, and in outside plant applications to connect equipment and fiber-optic

Cable Identification System Best Practices for Fiber

Cable identification best practices for fiber optic networks: use TIA-606-B standards, durable labels, and thorough documentation for reliable



Fiber Optic Polarity 101: A-B Polarity

Adapter Plate to Adapter Plate For backbone and riser multifiber cable, installers should always follow the color code and numbering system below for A-B polarity,



How to Identify the Different Ends of a USB Cable

USB cables have two ends, and each end can be different. On one end of the cable is the A connector. The other end, most likely, has the B connector.



Product Catalog



Understanding Fiber Polarity

2.3 12-fiber MTP/MPO array patch cord defined in the TIA standard. The three different cables: Type A, B and C are used for the three different connectivity Met Type A "Straight Through"

Ethernet Cables Types: Cat 3, 5, 5e, 6, 6a, 7, 8 Wires

This tutorial explains the Definition of ethernet cables, ethernet cable types, shielded cables, and Ethernet cables categories like Cat 3, 5, 5E, 6, 6a, 7,



Fiber Polarity Technical White Paper , FS

Two types of duplex fiber patch cords are defined in the TIA standard: A-to-A type shown in Figure 1 and A-to-B type shown in Figure 2. ANSI/TIA-568-C.0). up to key-down. Type B adapters shall mate two



MTP/MPO Polarity Type A vs B vs C: Decision Guide , ABPTEL

If you've ever installed an MPO/MTP trunk only to find that the signal does not pass end-to-end, you've met the polarity problem. Polarity in fiber cabling means making sure the transmit fiber at



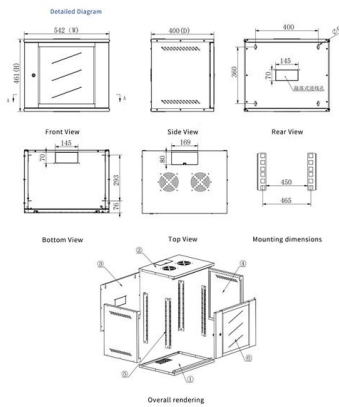
What Do All The Colors Mean? Fiber Optic Color Code

The colors of fiber optic cables serve as a standardized method for identifying the type of fiber and/or the function of the cable. This color-coding

Fiber Polarity: Everything you Need to Know

Viewed from one end to the other, there is a single fiber connecting A to B and another single fiber connecting B to A; data flows bidirectionally and fiber





MTP/MPO Fiber Cable Polarity /How to Understand It

Struggling with MTP/MPO polarity? Discover the right way to understand and configure fiber cables for error-free, high-speed data center

Fiber Polarity: Everything you Need to Know

Method B uses crossed MPO array cables with Type B key-up connectors on both ends, creating the fiber polarity flip without the need for an A



Fiber Optic Terms and Definitions

SUPPORT Fiber Optic Terms and Definitions A AbsorptionThe portion of optical attenuation in optical fiber resulting from the conversion of optical power to heat .Caused by

Fiber-optic cable

Each end of the cable may be terminated with a specialized optical fiber connector to allow it to be easily connected and disconnected from transmitting and receiving

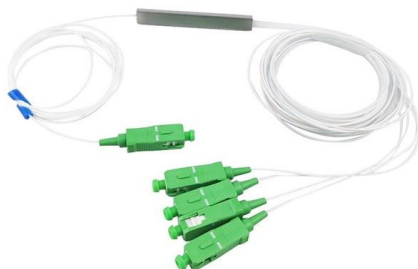


Polarity Basics

In (A-B) polarity, the transmit signal on one end (fiber A) aligns with the receive signal on the opposite end (fiber B). This straight-through connection allows data

Understanding Fiber Optic Cables and Connectors

Color codes are used in fiber optics to identify fibers, cables and connectors. When a tech opens a fiber optic cable to prepare it for splicing, they will find a colorful



Fibre Optic Cables & Connectors Guide - Briticom

Organising through cables and connectivity options can be an exasperating exercise. It's tough enough working through the categories and levels of copper networking cables, where most cables end with



Contact Us

For datasheets, pricing, or custom telecom energy solutions, please visit:
<https://www.koskolong.co.za>