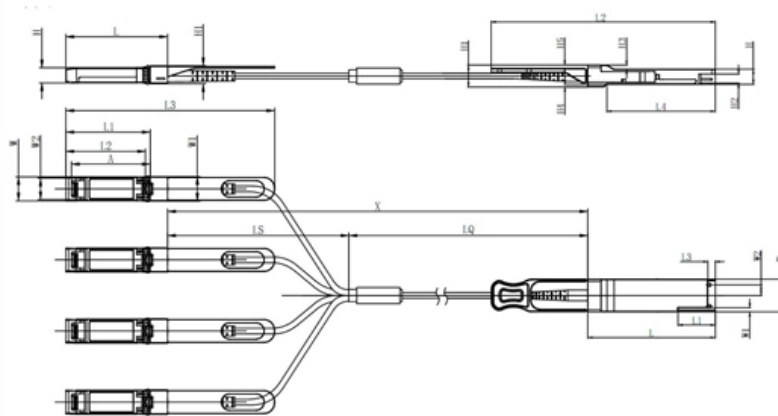




Indonesia Plastic Fiber Optic Sensor



Unit mm

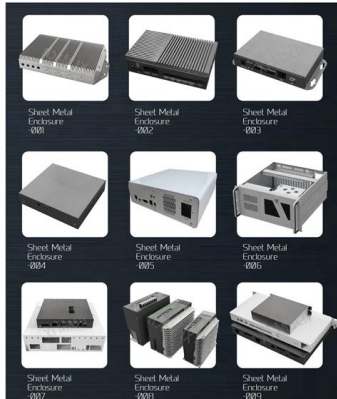
QSFP28	L	L1	L2	L3	L4	W	W1	W2	H	H1	H2	H3	H4	H5	H6
Max	72.2	-	128	4.35	61.4	18.45	-	6.2	8.6	12.4	5.35	2.5	1.6	2.0	-
Type	72.0	-	-	4.20	61.2	18.35	-	-	8.5	12.2	5.2	2.3	1.5	1.8	6.55
Min	68.8	16.5	124	4.05	61.0	18.25	2.2	5.8	8.4	12.0	5.05	2.1	1.3	1.6	-

SFP28	L	L1	L2	L3	W	W1	W2	H	H1	A
Max	57.6	47.7	44.55	119.9	13.8	14.0	12.3	8.7	10.3	45.25
Type	57.4	47.5	44.35	117.9	13.55	13.8	12.1	8.5	10.1	45
Min	57.2	47.3	44.15	115.9	13.3	13.6	11.9	8.4	9.9	44.65





Indonesia Plastic Fiber Optic Sensor

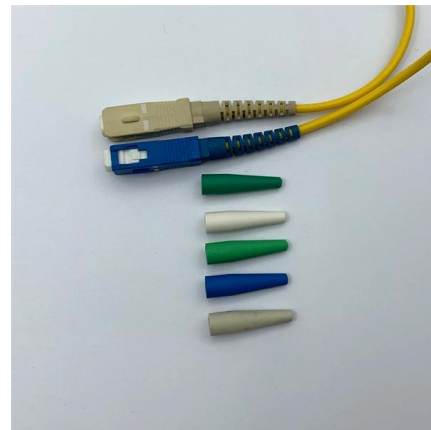


Fibre Optic Sensors - Mouser Indonesia

Fibre Optic Sensors Diffuse Mode Bifurcated Glass Fiber 36 long; 0.062 dia. Bundle; Stainless Steel Sheath; Threaded & angled sensing tip
Datasheet 3In Stock 1 Rp4.421.386 Buy Min.: 1
Mult.: 1

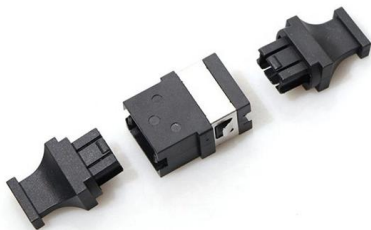
Power Over Fiber - optical delivery of power, photonic

Power over fiber means the delivery of power for electronic devices via light in an optical fiber. This is advantageous for some applications.



Optical Sensors Based on Plastic Fibers

The recent advances of polymer technology allowed the introduction of plastic optical fiber in sensor design. The advantages of optical metrology with plastic optical



Sensor Fiber Optik Digital

KEYENCE Indonesia menyediakan Seri FS-N40; Tipe penguat sensor dengan tampilan OLED dengan kejernihan tinggi, mudah dioperasikan



Feasibility Study on Structural Health Monitoring Systems Using Fiber

This paper presents the review results based on literature surveys and vendor product brochures of fiber-optic sensors for infrastructure health monitoring applications which could be used



Feasibility Study on Structural Health Monitoring Systems Using Fiber

Hopefully, Indonesian government will be strongly committed to build or provide those worth optical fiber sensors in the future for the benefit of society.



Special Issue "Fiber Optic Sensors and Applications": An Overview

We present here the recent advance in exploring new detection mechanisms, materials, processes, and applications of fiber optic sensors. Keywords: fiber optic sensors, detection mechanisms, materials,





Photoelectric Sensors & Fiber Optic Sensors

Photoelectric sensors and fiber optic sensors can detect many different types of objects such as glass, metal, plastic, wood and liquids. This versatility has led to their use on production lines in plants and



Indonesia Fiber Optic Sensor Market Size and Forecasts 2031

Indonesia Fiber Optic Sensor Market is projected to grow around USD 3.6 billion by 2031, at a CAGR of 13.2% during the forecast period.

Plastic Optical Fiber Sensors , FiberFin

Plastic Optical Fiber Sensors How do fiber optic sensors work? While fiber optic cables can be used to connect remote sensors to electronic loggers or signal



Top 8 Optical Sensor Manufacturers in Indonesia (2026) , ensun

When exploring the optical sensor industry in Indonesia, several key considerations are essential. Regulatory compliance is crucial, as the country has specific laws governing electronic devices and



Testing and development of plastic optical fiber as humidity and

This experiment has developed and tested a plastic fiber optic-based temperature and humidity sensor (FOTHS). In the FOTHS test, the leading equipment is needed, such as a single model plastic optical



Fiber optic sensors and fiber optics , Baumer international

A fiber optic sensor and two fiber optics made of plastic or glass fibers make up a fiber optic system. The sensor contains a light source (transmitter), typically an

Sensors , Special Issue : Recent Development and

An enhanced plastic optical fiber (POF)-based surface plasmon resonance (SPR) sensor is proposed by employing a double-sided polished



Indonesia Fiber Optics Market , Trends, Size & Growth

By 2027, the Fiber Optics market in Indonesia is anticipated to reach a growth rate of 11.78%, as part of an increasingly competitive Asia region, where China remains



Plastic Optical Fiber as Water-Level Sensor

Furthermore, the sensor demonstrated consistently stable responsiveness over multiple cycles. Keywords: Real-time Liquid Level Measurement; Plastic Optical Fiber Sensor; U-bent Fiber Optic



Integrated Aluminum Alloy
Die Casting



Omron Plastic Fibre Optic Sensor, IP67

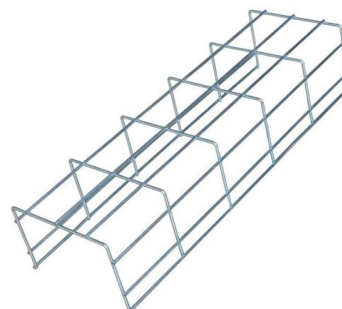
Omron Plastic Fibre Optic Sensor, IP67 RS Stock No.: 8209909 Mfr. Prt No.: E32

Durable and Secure Metal Screws



Fibre Optic Sensors - Mouser Indonesia

Mouser offers inventory, pricing, & datasheets for Fibre Optic Sensors.





DETECTION OF DISPLACEMENT USING GLASS OPTICAL FIBER SENSOR

Abstract The research has measured the landslide using a displacement sensor based on Glass Optical Fiber (GOF) and Optical Time Domain Reflectometer (OTDR). The sensor

Fiber-optic sensor

A fiber-optic sensor is a sensor that uses optical fiber either as the sensing element ("intrinsic sensors"), or as a means of relaying signals from a remote sensor to the electronics that process the signals



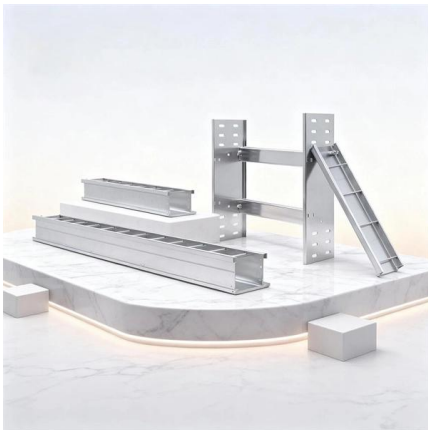
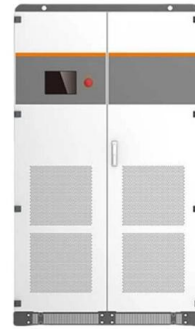
Fiber Optic Sensor

Fiber Optic Units Fiber Optic Units Unit fiber optic tersedia dalam 9 tipe head (ulir, silinder, datar, berbentuk L, plastik, tegak lurus, baja tahan karat, berbentuk U,



RS PRO Fibre Optic Sensor, IP65

RS Components has taken all reasonable steps to confirm this statement. Information relates only to products sold on or after the date of this certificate.



Plastic Fibre Optic Sensor Market Emerging Trends and

The Indonesian Plastic Fibre Optic Sensor Market is anticipated to witness rapid growth fueled by expanding industrial sectors, infrastructure projects, and increasing focus on automation.

Plastic fiber-optic sensors

Our plastic fiber optic sensors are used wherever small objects must be detected and mounting space is limited. Through a range of modular fiber optics and



Sensors

These Optical Sensors provide a compact, low-cost method to detect workpieces. Many models are available, including Slot-type Sensors (through-beam) for non-modulated or modulated light,





Contact Us

For datasheets, pricing, or custom telecom energy solutions, please visit:
<https://www.koskolong.co.za>