



Adam Tas Corridor Energy

Installation of secondary distribution box in Costa Rica





Installation of secondary distribution box in Costa Rica



Our Process

Supply and installation of substations, main boards, distribution boards, electrical generals, UPS, dry and isolation transformers, motor control centers, starters and capacitor banks.

Electrical Design in Costa Rica: How to Turn Ideas into

Transform your project with Electrical Design in Costa Rica--safe, efficient, code-compliant. We handle permits, CFIA, SPDs, GFCI/AFCI,



Electrical Service Requirements in Costa Rica

Electrical Service Requirements in Costa Rica In accordance with the "Citizen Protection Law Against Excessive Requirements and Administrative Procedures," to access these in an agile,

Costa Rica Power Strips , Costa Rica PDU Power Distribution Units

Costa Rica power strips and PDU power distribution units for surface mount, rack mount



and general purpose applications. Multiple outlet power strips are manufactured in accordance to Costa Rica



Distribution Box Wiring Steps

?Box installation?: Make sure that Distribution box has been correctly installed and fixed.
?Material preparation?: Prepare the required circuit breakers,

1. Institutional framework

1. Institutional framework With a population of 5,15 million as of 2021 and a territory of 51.000 km2, Costa Rica is a highly urbanised country with some 77% of the population living in cities. It has one



Installation of elevators

The installation of elevators to transport people and objects between the different levels of a building is becoming a necessity as the awareness of the welfare of



Electric Power Generation, Transmission and Distribution companies

Detailed info on Electric Power Generation, Transmission and Distribution companies in Costa Rica, including financial statements, sales and marketing contacts, top competitors, and firmographic insights.



Costa Rica Septic Tanks & Secondary Wastewater Treatment by

Installation and Maintenance Aero-Tech aerobic treatment units are manufactured in Plymouth, Indiana, USA. All Aero-Tech ATUs must be purchased with supervised installation by an Aero-Tech trained

The installation requirements for the distribution box

A distribution box is the heart of any electrical system. It takes the incoming power and safely distributes it to different circuits throughout your



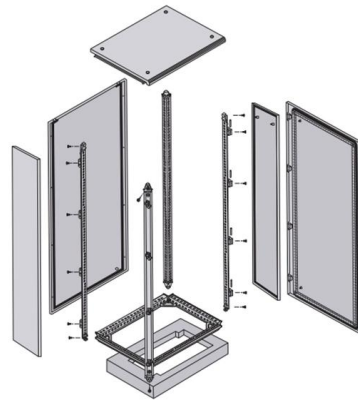
Propace Costa Rica , Low Voltage Electric Power Experts

Propace Ingeniería S.A. Costa Rica We are a consulting, distribution, construction, retailing and technical service company that offers integral solutions for low voltage, in the branches of control,



Costa Rica Electric Power Transmission and Distribution Equipment

Historical Data and Forecast of Costa Rica Electric Power Transmission and Distribution Equipment Market Revenues & Volume By Underground Installation for the Period 2020-2030



NAE Case Study: Costa Rica, Distribution Cooperatives

Institutions, Roles and Responsibilities
Distribution and commercialisation of electricity is the responsibility of four state-owned companies - one national, one

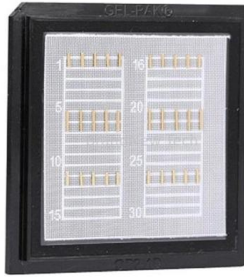
Electrical Installation In Costa Rica

As one of the best Electrical Installation Manufacturers in Costa Rica, we are trusted by people not only within the boundaries but even beyond that. Our custom-based products are able to match up your



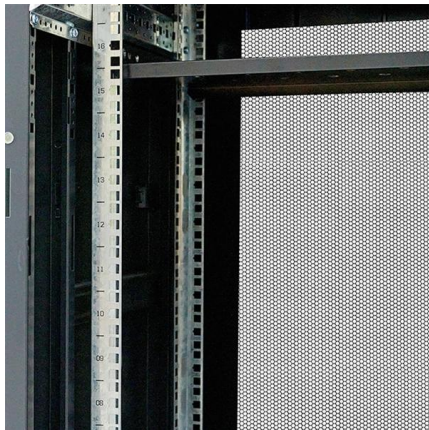
How Many Electrical Installation Services are in Costa Rica?

There are 20 Electrical installation services in Costa Rica as of March, 2026. Download latest business data with contact info, ratings & locations.



Manual de Distribución Eléctrica

Este manual se aplica en aquellas redes subterráneas que forman parte de la red eléctrica de distribución a nivel nacional, comprendida desde la salida de las subestaciones y hasta los usuarios



Electrical Installations, Electrical Services in Costa Rica

Our experience allows us to do high-quality electrical wiring installations in Costa Rica. Due to all the electrical equipment that work through power supply sources, electrical installations are key to our

AGENCY AND DISTRIBUTION AGREEMENTS IN

In Costa Rica, Agency and Distribution agreements are regulated in the Commercial Code of Costa Rica, in the Law for Protection of Foreign





Your Ultimate Guide to Parcel Delivery In Costa Rica

Unlock shipping to anywhere in Costa Rica with DUAL Servicios. This guide to mail forwarding covers customs clearance and rural delivery, making it

Electricity Connection in Costa Rica

In this episode, I will install my electricity connection in Costa Rica by laying the power lines through my property and connecting the power cables to the fuse box and the electric meter.



Size determination, installation method and wiring mode

The distribution box is the central hub of the home circuit and the general control of our daily power consumption. It is an indispensable electrical equipment. If there

Builder's Guide

Electromechanical Installations The installations are made eliminating the EPS. Therefore, there is no limitation in the placement of the water pipes or electric





WattWise , Professional Electrical Services in Costa Rica

Expert electrical contractors offering residential and commercial electrical installations, repairs, and maintenance. Certified electrical services, meter installations, and electromechanical design in the

Costa Rica Electrical Code Decree 36979

Electrical Code of Costa Rica for the Safety of Life and Property. For this purpose, it is necessary to present the physical form of Annex E of this decree at the offices of the Ministry of Economy, Industry



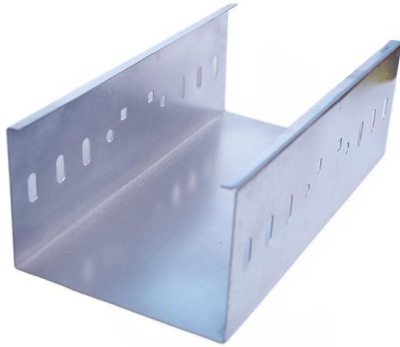
Costa Rican Construction Standards

Costa Rican Construction Standards "What are the Local Construction Standards?" is an often asked question by expats who are considering buying a

The Complete Guide to Distribution Box: Installation, Types & More

High-usage commercial and industrial installations may require more frequent inspections based on operating conditions and manufacturer recommendations. Can I add circuits to an existing





Electrical Installation In Costa Rica

Bus-Duct Bus-Duct is a sheet metal duct in the electric power distribution and is used to conduct electricity to power cables or cable buses in commercial and industrial settings. We, one of the Bus

Costa Rica

Costa Rica - Distribution and Sales Channels Discusses the distribution network within the country from how products enter to final destination, including reliability and condition of distribution mechanisms,

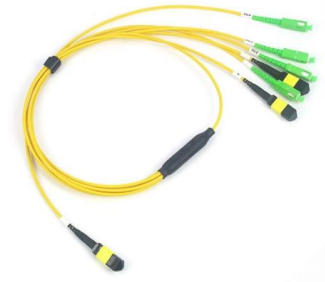


Costa Rica Septic Tanks & Secondary Wastewater

Key Benefits o No filters or compressors to replace o Low maintenance o Energy efficient o Silent operation o Aeration pump location results better digestion and

Now you can save lots of money migrating to solar

According to Ministerial Decree 39220 (Ruling for the distributed Electrical generators for self-usage), since October 2015 the installations of solar



Contact Us

For datasheets, pricing, or custom telecom energy solutions, please visit:
<https://www.koskolong.co.za>