



**Adam Tas Corridor Energy**

# **Intelligent Distribution Box Installation Platform**





## Intelligent Distribution Box Installation Platform

---



### What is a power distribution unit (PDU)?

Learn what power distribution units do and how different types of PDUs work. Find out what questions to ask before you purchase your next PDU.

### Construction of IoT management system for intelligent monitoring of

The results are applied in the construction of Zhejiang intelligent distribution room, providing important guidance for the standardized construction of intelligent distribution room in China.



### Photovoltaic Distribution Box: Advanced Solar Power Management

Discover comprehensive photovoltaic distribution box solutions featuring advanced safety protection, intelligent monitoring, and modular scalability for optimal solar energy system performance and

### EL2P Intelligent Power Distribution Unit

Managing and installing a rack power distribution unit (PDU) has never been easier than with the



EL2P PDU. Designed to simplify deployment and take stress out of



### Power Distribution Room Dynamic Environment

The Smart 3000 Edge AI BOX processes data locally with edge computing, enabling rapid fault detection, warnings, and automated control of key devices like fans



### Final Power Distribution Boxes , Product Catalog , CHINT Global

Compact final distribution boxes for safe, accessible, and precise power control across all electrical environments.



### Intelligent Remote Distribution Box Monitoring Solution

Remote distribution box monitoring By leveraging the intelligent remote monitoring function, you can collect the electric meter readings and implement networked



## How to Install a Distribution Box--A Comprehensive

Whether you are an electrical contractor or a construction brigade, knowing how to properly and safely install distribution boxes is the basis of



## Design and Construction of a 60a Smart Distribution Board with Real

This work aims to address these issues by designing and constructing a 60A smart distribution board. This smart distribution board will incorporate intelligent features such as real-time monitoring, load



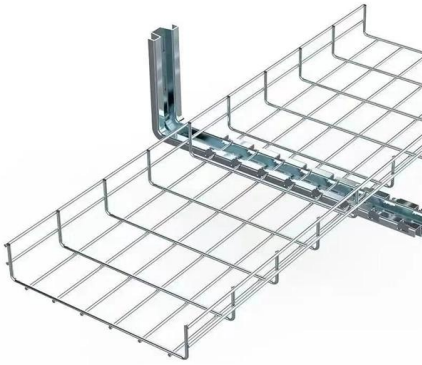
## Intelligent distribution for Data Centers

In this session, we will examine ABB intelligent distribution architectures dedicated to electrical distribution systems in Data Centers. ABB



## Design of a Smart Distribution Panelboard Using IoT

Electric load management through continuous monitoring and intelligent controlling has become a pressing requirement, particularly in light of



## Top 10 Smart Home Distribution Boxes for Modern Homes

Compare the top 10 smart home distribution boxes for modern homes. Find the best home distribution box for safety, energy savings, and smart control.



## Intelligent Power Distribution Solutions

CHINT provide one-stop Intelligent Power Distribution Solutions solutions. From consulting services to engineering design and construction, to long-term project

### fenrg-2022-902715 1..9

Following the architecture of the distribution community IoT platform, the construction of distribution IoT application scenarios based on station area intelligent perception devices is carried





## Gartner Business Insights, Strategies & Trends For

Gain strategic business insights on cross-functional topics, and learn how to apply them to your function and role to drive stronger performance and innovation.



### Low Voltage Power & Data Distribution , LEONI Group

Our intelligent and mechanical boxes in the area of power and data distribution offer modular solutions for all voltage levels and at the same time optimize functionality



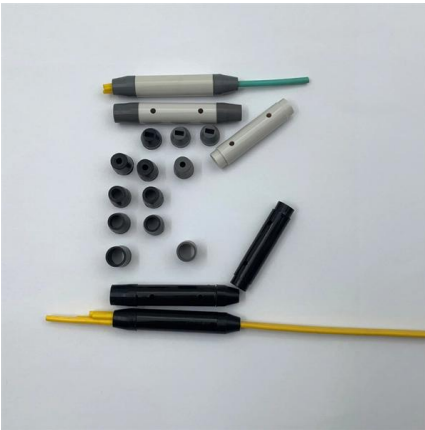
### Room Automation Distribution Boxes for DALI & Building

Intelligent room automation devices are essential to ensure that they perform their task ideally. For fast, flexible and safe installation, we integrate the devices into

### Building a Smart Distribution Panel: The Ultimate DIY Project

Conclusion Building your own smart distribution panel is a rewarding and empowering DIY project that unlocks a world of possibilities for intelligent power management.





## Intelligent Distribution Box

Through its wide-voltage and wide-temperature design, high level of integration, intelligent diagnostic capabilities, and flexible configuration, it provides vehicles with an efficient, reliable, and easy-to

## Intelligent distribution box-Product Center-Hangyue Intelligent

The HangyueHZMX series intelligent distribution box is a new generation intelligent distribution box developed by Hangyue Electric. It comprehensively utilizes big data, cloud computing, and mobile



## Intelligent Power Distribution Box Solution

Compared with the traditional power distribution box, it is safer to cut off the strong power supply remotely, and it can save energy through the timing mode while

## Bivocom IoT Electrical Panel: Smart Power Distribution

Notably, whether you're upgrading legacy electrical panels, optimizing energy distribution in factories, ensuring stable power in remote areas, or



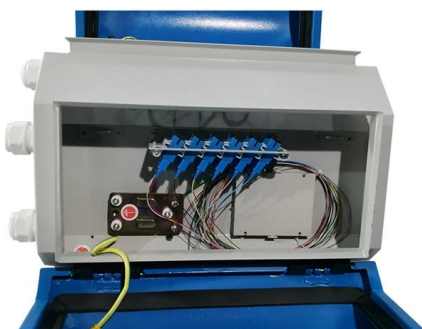
## Intelligent Low-Voltage Distribution Boxes

Intelligent low - voltage distribution boxes are essential for power distribution. They're used in residential areas to supply stable power to homes. In commercial



## DISTRIBUTION BOX SMART INSTALLATION

The Marienturm in the Central Business District in Frankfurt am Main is installed in a resource-saving and sustainable way thanks to distribution boxes from Wieland and the gesis® installation connector



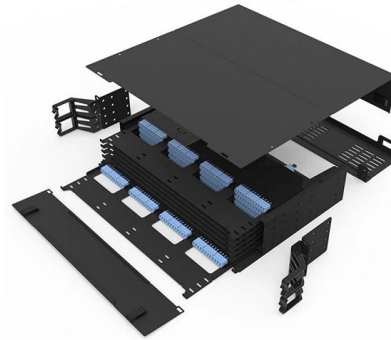
## WO2024255014A1

The intelligent distribution box comprises multiple electrical devices, the electrical devices at least comprising a common power supply module, a main input intelligent circuit breaker, at least one



## Design and implementation of intelligent monitoring terminal for

Fig. 1. System framework of intelligent distribution monitoring platform based on edge computing. The acquisition part includes electrical parameter acquisition, environment signal



## Intelligent distribution box-Product Center-Hangyue Intelligent

Combined with the Hangyue intelligent operation and maintenance system, it achieves permission management for opening (closing) doors and connecting (disconnecting) wires of the distribution box



## Low Voltage Power & Data Distribution , LEONI Group

Low Voltage Power & Data Distribution Safety and efficiency: key aspects of power distribution  
Our intelligent and mechanical boxes in the area of power and data



## Contact Us

---

For datasheets, pricing, or custom telecom energy solutions, please visit:  
<https://www.koskolong.co.za>