



**Adam Tas Corridor Energy**

# **Iraq Outdoor Power Distribution Box Parameters**





## Iraq Outdoor Power Distribution Box Parameters

---

### Electrical Panel Box-ACDB-DCDB Boxes in Iraq



We supply high quality Electrical Panel Boxes and ACDB-DCDB Boxes in Iraq which are durable, heat-resistant and versatile - perfect for thermal, automotive, marine, and construction use.

### United Nations Development Programme

Hier sollte eine Beschreibung angezeigt werden, diese Seite lässt dies jedoch nicht zu.



### Iraq Electrical Installation Standards , PDF , Fuse

It outlines 14 general requirements for the project, including coordinating electrical work with other contractors, using materials suitable for the local climate,

### Distribution Transformer in Iraq

They are crucial in ensuring efficient and reliable electricity distribution, especially in regions with growing energy demands like Iraq. What types



## WORLD WIDE WEB JOURNAL Home

O'Reilly & Associates, Inc. 103A Morris St.  
Sebastopol, CA United States



### The installation requirements for the distribution box

A distribution box is the heart of any electrical system. It takes the incoming power and safely distributes it to different circuits throughout your



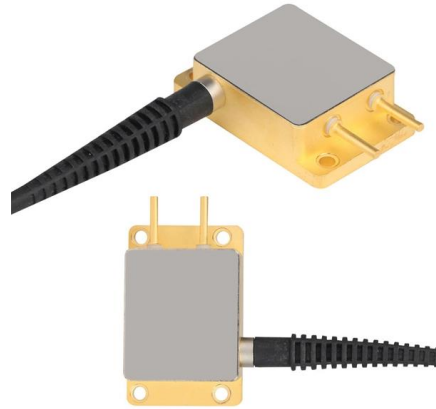
### Iraq YBF Series Wind Power Box-type Substation

It is a new type of prefabricated substation developed for the special usage requirements of wind power generation, featuring strong integration, easy installation, short construction period, low operating



## Ministry of Electricity (MOE) Power Distribution Office Baghdad - IR

DISTRIBUTION TRANSFORMERS SCOPE OF THE TENDER : Tenderer are invited for the design, manufacture, testing and supply of a 11000/416 volt, oil immersed copper winding outdoor type



### Iraq: Electricity Distribution

Iraq's electricity distribution network is overloaded and in need of significant investment to be able to meet current and future demand. The system is also negatively impacted by the absence

### PUBLIC-PRIVATE PARTNERSHIPS BRIEFS Iraq: Electricity Distribution

Overview Iraq's electricity distribution network is overloaded and in need of significant investment to be able to meet current and future demand. The system is also negatively impacted by the absence of



### A. TECHNICAL SPECIFICATIONS

e transformer temperature Scope This specification covers the design, manufacturing, testing, supply, delivery, and performance requirements of three phase 11/0.416 kV outdoor type distribution



## Outdoor Power Distribution Boxes: The Backbone of

Discover how J& HW Group's outdoor power distribution boxes deliver safe, weatherproof, and customizable solutions for modern industrial and



## Distribution Transformer Specifications , PDF

The document provides technical specifications for distribution transformers rated at 11/0.416 kV with capacities of 100, 250, 400, 630, and 1000 KVA. It outlines

## Smart grid application in the Iraqi power system

However, to implement a smart grid into the Iraqi power system, various challenges should be faced, especially concerns related to understanding





## **DISTRIBUTION BOARDS CATALOG**

Efficient Power Distribution: Optimized for minimal power loss, ensuring effective energy management and distribution. Easy Installation and Maintenance User-Friendly Design: Simplified installation

## **E& I Electrical and Instrumentation**

Our company possesses strong and proven capabilities in the procurement and supply of specialized fuel additives for power generation applications, including



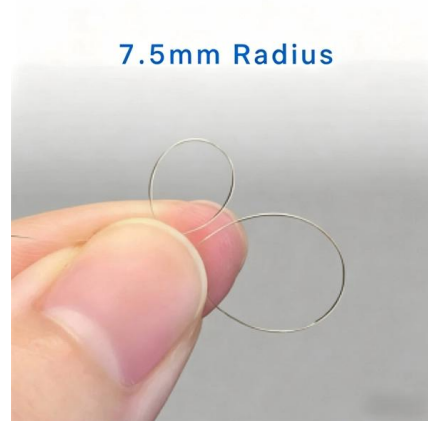
## **Iraq Low Voltage Switchgear-City Product Center\_4-Dongfeng**

Dongfeng-covering various types of distribution boxes City Product Center\_4 rich and diverse product system, covering various types of distribution boxes and cabinet products.



## **Iraq Electricity Supply Guidelines , PDF , Wire , Nature**

This document outlines regulations and guidelines for providing electricity to consumers in Iraq. It contains definitions of key terms, general conditions for connecting customers to electricity, and



### 132kV GIS Substation Technical Specification

Technical specification for 132kV GIS substations, focusing on plant requirements, system performance, and switchgear. Used in power supply industry.

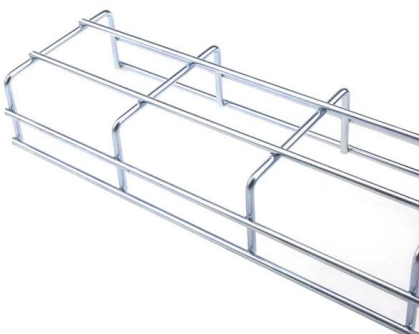
### V2 Republic of Iraq Ministry of Electricity Standard

V2 republic of iraq ministry of electricity standard specification - Free download as PDF File (.pdf) or read online for free.



### Outdoor Distribution Box SHA Series

The SHA series provides 4 to 36 channels of modular design and can be flexibly configured to meet various power needs. It has a rated voltage of 400V, a rated





## Outdoor LV Switchgear Technical Specification

Technical specification for outdoor low voltage switchgear, pole-mounted, for Baghdad, Iraq. Includes design, manufacturing, and testing requirements.



## Low Voltage Power Distribution Products

RAS GC's Low Voltage range of circuit breakers, capacitors, switchgears and multi-purpose meter boxes bring global manufacturing expertise to Iraq's electrical

## MNS® Low Voltage Distribution Board and Power Cabinet

Technical Info -- From the sub distribution to factory power supply, from the general industry to the marine, nuclear power plant, MNS® power distribution box can provide high security, high reliability



2. Imported design is convenient for expansion.

The design of two inlets saves space and allows for rear line entry.

## Enhancement of Iraqi Power Distribution Systems

Abstract and Figures This paper presents a method to enhance the performance of Iraqi power distribution systems using an optimal system



## Power Distribution Equipment

Power Distribution Equipment is a term generally used to describe any apparatus used for the generation, transmission, distribution, or control of electrical energy.



## Iraq Electrical Installation Standards , PDF , Fuse

This document provides specifications for electrical services installation for a construction project. It outlines 14 general requirements for the project, including

## Contact Us

---

For datasheets, pricing, or custom telecom energy solutions, please visit:  
<https://www.koskolong.co.za>