



**Adam Tas Corridor Energy**

# **Is ONU just a fiber optic switch**





## Overview

---

In a fiber-optic network, there are devices that are necessary to complete the fiber to the home (FTTH) link. It connects directly to the optical line terminal (OLT) at the central office and serves as the endpoint for fiber-optic signals in the user's premises. In fiber-optic networking—especially in Passive Optical Networks (PON)—terms like ONT (Optical Network Terminal) and ONU (Optical Network Unit) are often used interchangeably.



## Is ONU just a fiber optic switch

---



### ONT vs ONU: Understanding the differences in fibre

Two essential components within a PON system are the Optical Network Terminal (ONT) and the Optical Network Unit (ONU). These devices

### What is the difference between an ONU, a router, and a switch?

An ONU, short for "Optical Network Unit" and also known as an "Optical Network Unit", is an efficient stand-alone optical node transceiver that is part of a fiber optic network to receive user traffic and

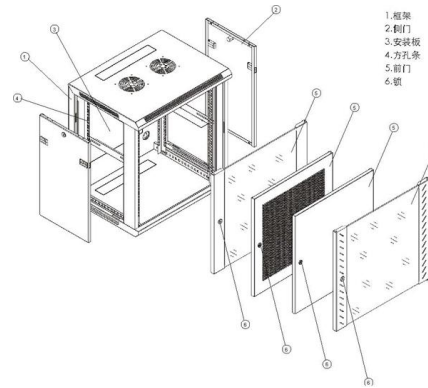


### What is an Optical Network Unit: Understanding

What is an ONU? An Optical Network Unit, as a key node in a passive optical network, is responsible for the "last mile" of fiber optic network access to

### Defining ONU: Optical Network Unit

Optical Network Unit (ONU) explained: Understanding these key elements of fiber networks, their structure, and the mechanics of



## Optical Network Units (ONU): The Key to Connecting Fiber Networks

Common Use Cases for Optical Network Units (ONU) Fiber to the Home (FTTH): ONUs are commonly used in FTTH networks to deliver high-speed internet, voice, and video services directly to residential

### What is ONU (Optical Network Unit)?

Discover what an ONU is, its features, benefits, and types. Learn how it enhances fiber-optic networks and how to choose the right ONU for your needs.



### What is onu? Can it work as a router?

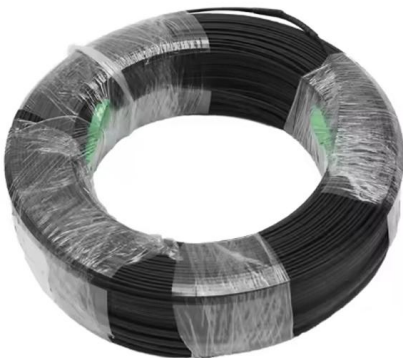
What is ONU? ONU is an essential component in a PON system that facilitates high-speed internet connectivity. While an ONU provides connectivity





## ONU vs ONT: Decoding the Key Differences in Your

ONU vs ONT explained: Understand the key differences, roles, and which device suits your fiber optic internet needs for home or shared buildings.



### The difference between ONU, router and switch

An ONU connects fiber to your network, while a router manages traffic, and a switch links devices inside your LAN.

### What is the Difference Between ONU, Router, and Switches?

ONU: Primarily used in fiber optic networks, it converts optical signals into electrical signals, allowing end-users to access the network. It connects to end-user devices such as



### What is ONU and Why Does It Matter for Your Internet

In simple terms, it's a device that receives the optical signal from your Internet Service Provider (ISP) via a fiber optic cable and converts it into electrical



## Cisco Introduces Universal Quantum Switch, Advancing the Path to a

The Cisco Universal Quantum Switch is designed to address this challenge for the first time, routing quantum information while preserving it at room temperature, on existing telecom fiber,



## Router Mode ONU: The Ultimate Guide to Your All-in

A router ONU combines signal conversion and network routing for fiber-optic internet, letting you connect multiple devices to fast, reliable service at

## Understanding the Difference Between ONT and ONU

The Optical Network Unit (ONU) and Optical Network Terminal (ONT) play crucial roles in fiber optic access networks. They are both utilized in fiber



## What is the Difference Between ONT & ONU

An ONU converts optical signals to electrical signals via a fiber cable. An ONU organizes and optimizes different types of data coming from customers to efficiently send it upstream to the OLT (located at



## Ethernet Cables Types: Cat 3, 5, 5e, 6, 6a, 7, 8 Wires

This tutorial explains the Definition of ethernet cables, ethernet cable types, shielded cables, and Ethernet cables categories like Cat 3, 5, 5E, 6, 6a, 7,



## What is the Difference Between ONU, Router, and Switches?

Brief Introduction to ONU, Router, and Switch  
ONU ONU, or Optical Network Unit, serves as a critical component in delivering internet services. Essentially, The ONU can effectively convert

## The Ultimate Guide to SFP Modules (2026): Types,

What is an SFP? SFP (Small Form-factor Pluggable) is a compact, hot-pluggable network interface module used to connect network devices (switches, routers,





## Unveiling the Wonders of ONU: Features, Benefits,

Unveiling the Wonders of ONU: Features, Benefits, Types, and Selection Guide Table of Contents In the dynamic landscape of modern



### ONU Wi-Fi vs. Traditional Routers What's the Difference

An ONU Wi-Fi device also includes Wi-Fi, meaning it acts as both the modem (signal converter) and the router (distributes Wi-Fi). ONU devices are



### What is the Difference Between ONT & ONU?

An optical network terminal (ONT) and optical network unit (ONU) are essentially the same things. The difference is the physical location of the devices, but they



### 3 Key Differences Between ONT and ONU: What You Must Know

ONT and ONU devices both serve critical roles in fiber optic networks--but they are not the same. ONT is typically used in FTTH applications as a terminal device, while ONU can serve multiple users in



## What is ONU and Why Does It Matter for Your Internet

What is Optical Network Unit (ONU)? An ONU converts fiber optic signals for your devices, ensuring fast, stable internet at home or business.



## Bridge ONU vs Router ONU: Which One Powers Your

Bridge ONU offers advanced network control with your own router, while Router ONU provides easy fiber setup and built-in management for home use.



## 8 Reasons Why Your Internet is Slow (and How to Fix It)

Having a slow internet connection can be frustrating. Here are eight potential reasons why your internet is running slowly, plus how to speed it back up.





## ONU vs Router vs Switch: Key Differences in Fiber Network Devices

Understand how ONU, router, and switch differ in role, function, and deployment in modern fiber networks. Essential guide for ISPs and enterprise users.



## What is OLT, ODN, ONU, and ONT in FTTH?

The ONU (Optical Network Unit) and ONT (Optical Network Terminal) are located at the user's end of the network. They convert optical signals from the fiber line into electrical signals that

## \$NOK Nokia is still one of the most underlooked AI stocks out there

Data Center Interconnect (happening now) (most recently 49% YoY growth) Every time Google or Microsoft builds a new AI cluster, they need fiber optic systems connecting those data



## Contact Us

---

For datasheets, pricing, or custom telecom energy solutions, please visit:  
<https://www.koskolong.co.za>