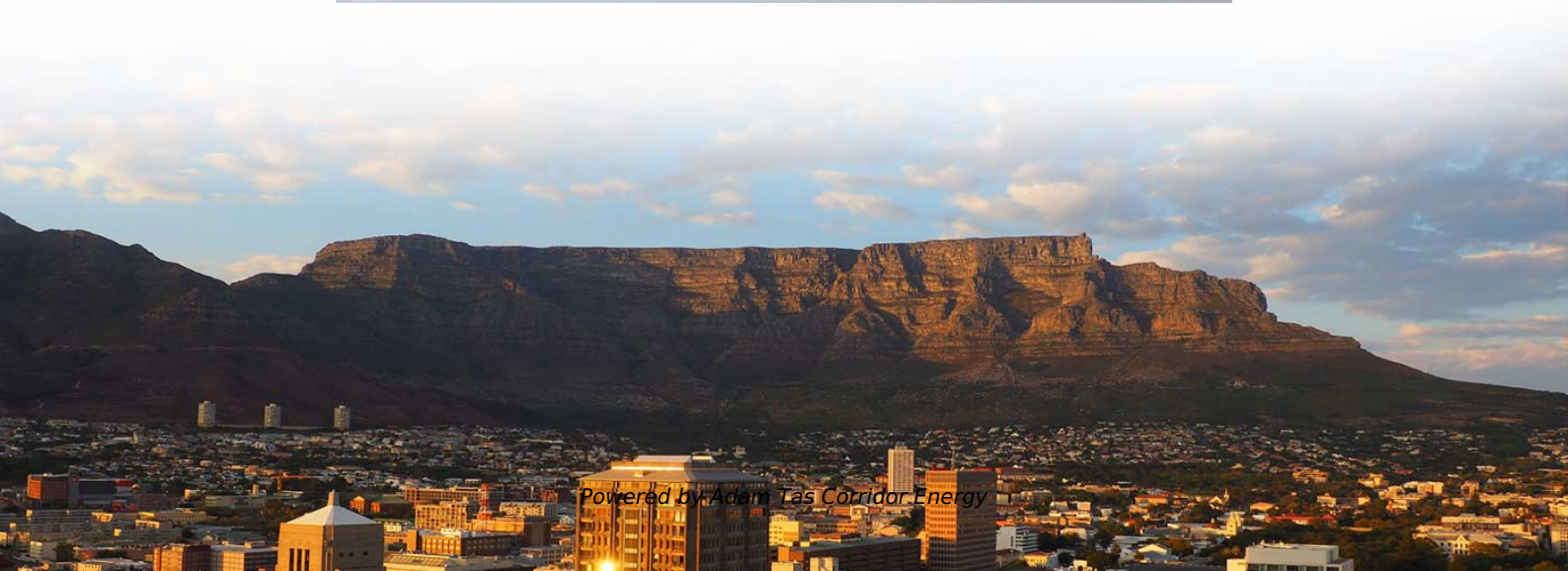




**Adam Tas Corridor Energy**

# **Kazakhstan SFF optical modules and SFP optical modules**





## Kazakhstan SFF optical modules and SFP optical modules

---



### Transceiver Optical Module Cisco 1.25G SFP 1430nm CWDM

CWDM 1.25G SFP optical transceiver is a versatile network component. Operating within the 1270-1610nm wavelength range, the single fiber SFP CWDM transceiver module supports data rates of

### Compact SFF Optical Modules: Reliability, Density & Efficiency for

Because both include "Small Form-Factor" in their names, SFF and SFP modules are often mistakenly considered similar. In reality, they serve different engineering philosophies.



### SFF Optical Transceiver-Optical Transceiver-Gigac Technology

We specialize in producing a wide range of optical transceivers, including SFP, SFF, Mini-SFF, LCC, and Parallel Optical Modules, as well as OLT and ONU solutions. ISO9001, ISO14001, and



### XFP Optical Modules and SFP+ Optical Modules Guide

When choosing between XFP Optical Modules



and SFP+ Optical Modules, network density, cost, and equipment compatibility should guide the



### Optical Transceiver vs. Fiber Optic Module: What's the Difference

Introduction Engineers, purchasing managers and installers often see the terms ??????????, optical module and fiber optic module used interchangeably -- and that causes confusion. This article



### Optoway Technology

Optoway is a boutique optics design and manufacturing company. We have been designing optical components and transceivers since 2000. Our produce QSFP,



### SFP vs SFF: Unraveling the Confusion in Optical

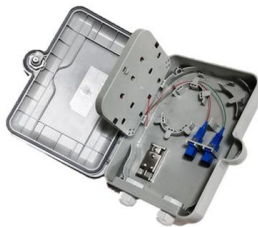
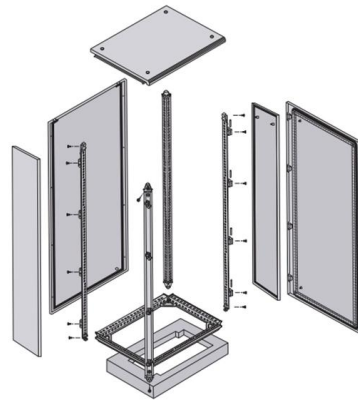
Two that often cause confusion are SFP and SFF. While they sound similar, they represent fundamentally different types of optical modules. Mixing





## **XG-SFP-LR-SM1310 10GBASE-LR SFP+ 1310-nm 10-km DOM**

The XG-SFP-LR-SM1310 is aligned to IEEE 10GBASE-LR optical specifications and supports a link length of up to 10 kilometers over a single-mode fiber (SMF) with an LC connector. It adopts the



## **How the SFF-8472 Standard Elevates Optical Transceiver IEEE 802.3**

In this environment, network operations staff leverage SFF-8472 digital diagnostics to monitor each transceiver's temperature and optical power metrics in real time. For instance, a Cisco

## **Cablenet CN-SFP-1G-LX-HP network transceiver module Fiber optic**

The SFP transceivers are high-performance, cost-effective modules supporting a data rate of 1.25Gbps with a transmission distance of up to 10KM over 9/125 $\mu$ m (singlemode) optical fibre. The transceiver



## **SFP modules - transceivers for 1/2/4G fibre channel**

An SFP (Small Form-factor Pluggable) transceiver is a compact optical module designed for high-speed networking applications across enterprise, data center



## What Is DDM/DOM in Optical Transceivers and Why It Matters

For engineers who want transceivers with robust, SFF-8472-compliant diagnostics, WOLON's optical module series delivers factory-calibrated DOM telemetry across SFP/SFP+/SFP28 and QSFP



## Optical Module Package Types Overview

The 10G SFP+ optical module is an upgraded version of the SFP optical module. Both have the same physical package, however, the SFP+ optical

### 1.25G SFP BIDI OPTICAL TRANSCEIVER MODULE

1.25G SFP BIDI Tx1550/Rx1490nm 120KM SMF DDM LC CISCO JUNIPER HUAWAI COMPATIBLE SFP OPTICAL TRANSCEIVER MODULE The SFP-BIDI transceivers are high performance, cost



### 1.25G SC SFP Module Optical Module 20Km

High-performance 1.25G SC SFP module with 20km reach. Dual wavelength options (TX1310/RX1550 and TX1550/RX1310), industrial/commercial temperature



### 10G SFP+ Active Optical Cables , Optical Interconnect

Amphenol's 10G SFP+ optical modules include SFP+ AOC. They are compliant with SFP+ MSA, SFF-8431 and SFF-8472, and are mainly used in

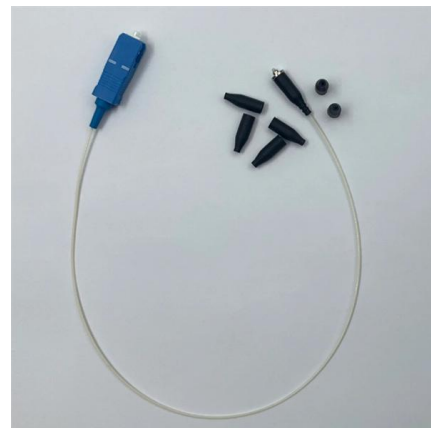


### Optical Transceiver Market Size, Share, and Trends Analysis 2032

The global Optical Transceiver market size was estimated at USD 13.08 Billion in 2024 and is estimated to grow at a CAGR of 15.41% from 2025 to 2032.

### Kazakhstan Multi-Mode Optical Transceiver Market (2024-2030)

Kazakhstan Multi-Mode Optical Transceiver Market is expected to grow during 2023-2029





## What Is an SFP Module? -- Complete Guide to SFP, SFP+ & SFP28

An SFP (Small Form-factor Pluggable) is a compact, hot-pluggable transceiver module that allows networking equipment -- including switches, routers, servers, and media converters -- to support

## SFP Optical Transceiver , SFP Optical Module , Perle

Perle SFP Optical Transceivers can be used and interchanged on a wide variety of Cisco or MSA compliant SFP products. They can be intermixed in combinations



## The Most Comprehensive Guide Of Optical Modules

Explore the ultimate guide to optical modules. Learn types, functions, performance metrics & how to choose the right module for your fiber network.

## Differences Between Optical Modules SFP, SFP+, CFP, XFP, QSFP

Originally designed to replace single-channel SFPs with high-density optical modules, the QSFP is only 30% larger than a standard SFP module. The device supports rates from 100Mbps to



### **2.5GBASE-SR SFP 850 nm 550 m DDM Multimode**

The 2.5GBASE-SR SFP Optical Transceiver Module is a high-performance small form-factor pluggable SFP module for 2.5Gb/s serial optical



### **Optical Transceivers , Fiber Optic Transceivers , Form**

COMPLIANT WITH 10G ETHERNET AND CPRI  
Amphenol's 10G SFP+ optical modules include SFP+ AOC. They are compliant with SFP+ MSA,



### **Fiber Optic Connectors , Products , Amphenol**

COMPLIANT WITH 10G ETHERNET AND CPRI  
Amphenol's 10G SFP+ optical modules include SFP+ AOC. They are compliant with SFP+ MSA, SFF-8431 and





## Contact Us

---

For datasheets, pricing, or custom telecom energy solutions, please visit:  
<https://www.koskolong.co.za>