



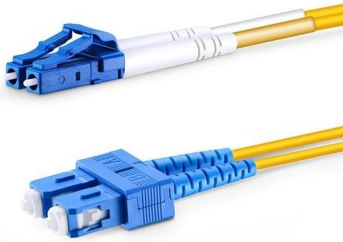
Adam Tas Corridor Energy

Kazakhstan SFP Optical Module QSFP-DD





Kazakhstan SFP Optical Module QSFP-DD



400G QSFP-DD DCO ZR+ Coherent Optical Transceiver QSFP-DD

Ascent's 400G ZR+ QSFP-DD Digital Coherent Optic Modules are 400 Gb/s Quad Small Form Factor Pluggable- double density (QSFP-DD) transceivers designed for 480 km optical

The Big Differences Between SFP, SFP+, SFP28,

Delve deep into the world of optical modules. From SFP to the latest QSFP-DD, explore their differences, applications, and what to consider for your



Understanding Backward Compatibility with QSFP-DD,

For optical modules, backward compatibility is essential. The upkeep and operation of the network infrastructure are directly related. Future data center

QSFP-DD Optical Transceivers for High-Speed

Cisco's comprehensive portfolio of QSFP-DD modules support 400G and 800G data rates



across copper, multimode fiber, and single-mode fiber, and



Do You Know the Differences Between SFP, SFP+,

SFP, SFP+, QSFP+, SFP28, QSFP28, QSFP-DD, and OSFP are the seven broad categories of Pluggable Transceiver Optics. These terms refer to the

Cisco 400G QSFP-DD High-Power (Bright) Optical

Learn how Cisco 400G QSFP-DD High-Power (Bright) Optical module's small size and low power make it an optimal choice for a wide range of



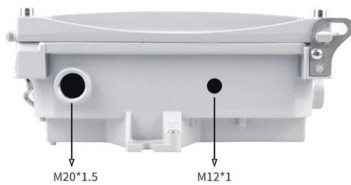
QSFP-DD Optical Module Wiki

QSFP-DD (Quad Small Form Factor Pluggable-Dense) is a new modular connector system that utilizes a dual-density, four-channel, small, hot-swappable optical module



Huawei QSFP-DD-400G-LR8 Optical Module Datasheet

The transmitting end of an optical module converts electrical signals into optical signals, while the receiving end converts optical signals back into electrical signals. Optical modules are classified by



QSFP-DD Hardware

20 mechanical and thermal requirements of the pluggable QSFP Double Density (QSFP-DD/QSFP-DD800/QSFP- 21 DD1600) connector and cage system. QSFP-DD MSA family of modules and

SFP+, SFP28, QSFP+, QSFP28, QSFP56, QSFP-DD,

Initial Published: February 19, 2022 The optical transceiver plays a crucial role in modern fiber networking. Various high-speed transceiver types are



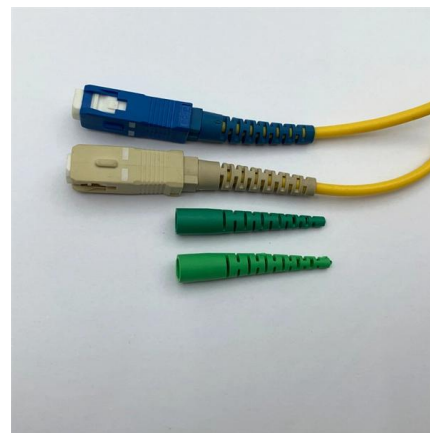
Cisco 400G QSFP-DD High-Power (Bright) Optical Module

Product overview Cisco is now expanding the range of 400G Digital Coherent QSFP-DD transceivers, introducing High Tx Power variants (+1dBm of Tx Power). Thanks to the miniaturization of the



QSFP-DD Optical form factor: An evolutionary approach

We've seen this cycle before. For example, 10 GbE optical modules moved from the bulky 300 pin module, to XENPAK, to X2, to XFP and finally to



How to Achieve Interconnection Between OSFP and QSFP-DD Ports?

With exponential traffic growth, hyperscale data centers must deploy multiple high-speed optical modules to meet varied demands. However, the coexistence of OSFP and QSFP-DD form

Comprehensive Guide to 400G/800G QSFP-DD Optical

From a technological perspective, both 400G and 800G QSFP-DD modules benefit from significant advancements. Silicon photonics has played a



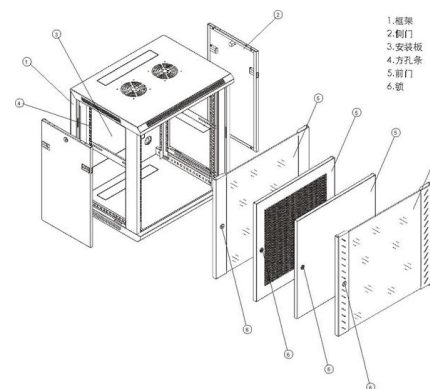


Top Optical Modules for POTN Deployment: SFP, QSFP, and OSFP

Modern optical transport networks are the nervous system of digital infrastructure. As data demand continues to multiply, choosing the right optical module becomes a crucial decision in

QSFP-DD TRANSCEIVERS for 400G and 800G , Smartoptics

Smartoptics QSFP-DD transceivers provide cost-efficient 400G and 800G optical networking. QSFP-DD (Quad Small Form-Factor Pluggable Double Density) transceivers double the number of high-speed



Transceivers Explained: SFP vs SFP+ vs SFP28 vs QSFP+ vs QSFP28

Are you confused by the difference between SFP, SFP+, SFP28, QSFP+, and QSFP28 transceivers? You're not alone. As networks scale to meet the demands of cloud computing, AI, and

QSFP-DD Optical Transceivers Unlocking Faster

QSFP-DD Optical Transceivers deliver up to 800Gbps speeds, offering high bandwidth, energy efficiency, and compatibility for modern networks



Cisco QSFP-DD and OSFP 800G ZR/ZR+ Coherent Optics Modules

Cisco QSFP-DD and OSFP 800G coherent optical modules are supported on Cisco switches and routers. For more details, refer to the Cisco Transceiver Modules Compatibility Matrix.



The Ultimate Reference Table for SFP & QSFP Optical Transceiver

The definitive guide to SFP, QSFP, and QSFP-DD standards for 2025. Compare 400G/800G optics, understand PAM4 complexity, and master QSFP-DD vs OSFP deployment



All About QSFP Cables, Connectors, and More

QSFP+ can replace 4 SFP+ transceivers, which allows for greater port density and an overall system cost saving. QSFP28 is a QSFP module that is



Specification - QSFP-DD

July 11, 2019 - QSFP-DD Hardware Specification for QSFP DOUBLE DENSITY 8X PLUGGABLE TRANSCEIVER - Rev 5.0 May 8, 2019 - Common Management Interface

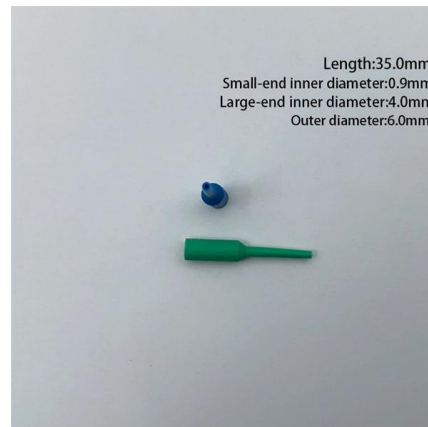


The Ultimate Guide to QSFP Cables

Explore the ultimate guide to QSFP cables. Learn QSFP types, differences from SFP, installation methods, and benefits for high-speed data

QSFP-DD Product Family » Acacia

Powered by Greylock and Delphi DSP ASICs, and silicon photonic integrated circuits (PICs) for an optimized co-packaged design with 3D Siliconization. Supports an expansive list of interoperability



400G Modules Compared: QSFP-DD, OSFP & QSFP112

Unsure which 400G module fits your data center? Compare QSFP-DD, OSFP, and QSFP112 with expert insights for top performance and scalability.



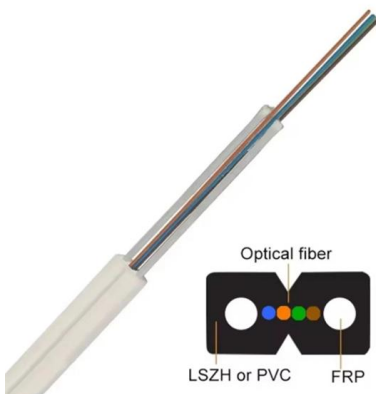
QSFP-DD Optical Module Overview: What is the differ?

This article will introduce the next generation optical module in detail, QSFP-DD, also known as quad small form factor pluggable, and this article will also



Complete Guide to QSFP-DD, QSFP28, QSFP56,

As high-speed networks continue to evolve, optical transceivers like QSFP-DD, QSFP28, QSFP56, SFP56, and SFP28 have become the core components



QSFP-DD Optical Transceivers - MapYourTech

By the conclusion of this guide, you will possess a comprehensive understanding of QSFP-DD technology sufficient to make informed decisions





Cisco 400G Digital Coherent Optics QSFP-DD Optical Modules

Cisco offers a comprehensive range of pluggable optical modules in the Cisco® pluggables portfolio. The wide variety of modules gives you flexible and cost-effective options for all types of interfaces.

Cisco 400G QSFP-DD: Understanding Optical

Discover the Cisco 400G QSFP-DD optical transceiver modules, designed for high bandwidth in data centers, ensuring backward compatibility with



Contact Us

For datasheets, pricing, or custom telecom energy solutions, please visit:
<https://www.koskolong.co.za>