



Adam Tas Corridor Energy

Key points for installing trough-type cable trays





Overview

This guide covers the critical steps, from selecting the right electrical cable tray and performing accurate cable fill calculations to managing a safe cable pull through and ensuring all bonding and grounding requirements are met. In the world of cable management, the trough type cable tray stands as a versatile and robust solution for supporting and protecting electrical and data cables. Its unique design, featuring a solid bottom and side rails, makes it ideal for a wide range of applications, from industrial plants to. en completely installed, without damage either to conductors or structural system use maintain spacing or to keep cables in place when the tray is ect the minimum bend ra-dius for cables as they exit the bottom of the cable tray.



Key points for installing trough-type cable trays



How to Install Cable Tray: A Comprehensive Guide to Different Cable

Welcome to our step-by-step guide on installing cable trays! In this video, we'll explore the different types of cable trays available and provide detailed instructions for their installation.

A Guide to Installing and Supporting Electrical Cable Trays

This guide covers the critical steps, from selecting the right electrical cable tray and performing accurate cable fill calculations to managing a safe cable pull through



Microsoft Word

If cable trays are being installed where working space is a problem, hand access through the cable tray bottom may help to facilitate the installation of small diameter cables: control instrumentation, signal,

Cable Tray Systems: A Complete Guide to Types

Discover the essential guide to cable tray systems. Learn about ladder, trough, and wire



mesh types, key components, and expert installation tips



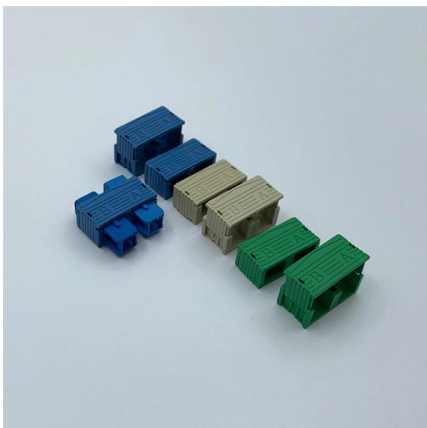
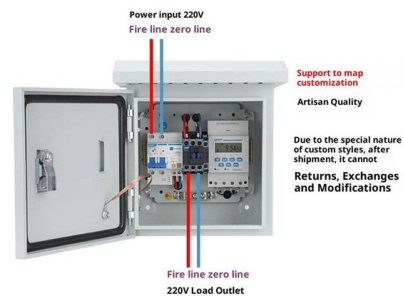
Connecting Cable Trays: Your Guide to Secure and

Learn common methods for connecting cable trays safely and efficiently. Our guide covers splice plates, quick-connects, and key tips for secure

Mastering Cable Tray Installation , Step-by-Step Guide for a Seamless

Mastering cable tray installation is crucial for creating a safe, organised, and efficient cable management system. By following this step-by-step guide, you can ensure a seamless setup that

Product Wiring Diagram



Cable Tray Installation

Learn everything about cable tray installation with our complete guide. Discover types, steps, and safety tips for efficient electrical cable management.



Cable Tray and Trunking Installation Guide

This document provides a method statement for installing cable tray or trunking systems. It outlines the key steps, which include evaluating materials, properly



Everything You Need to Know About Cable Trays , Cable Trays

Discover the different types of cable trays, their many benefits when used in electrical wiring and network cabling, installation processes, and essential maintenance tips for keeping your

Cable Tray SHIB NAL

Overloading cable trays can lead to a breakdown of the tray, its connecting points and/or supports, causing hazards to persons underneath the cable tray and even leading to possible electric shock



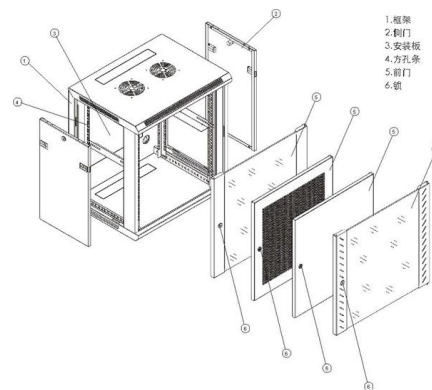
METHOD STATEMENT FOR Cable tray and trunking system installation

Cable tray and trunking system relevant to this particular section of works will be checked and verified that these are correct type.



Mastering Cable Tray Installation , Step-by-Step Guide for a Seamless

Learn how to install cable trays correctly. Get the ultimate step-by-step guide on setting up a seamless and reliable cable management system.



Cable Tray Type Selection

If cable trays are being installed where working space is a problem, hand access through the cable tray bottom may help to facilitate the installation of small diameter cables: control instrumentation, signal,

Legrand Trough P31 Trough / Cable Tray Installation Guide

This installation guide provides comprehensive instructions for the assembly, cutting, and installation of the Trough (P31) cable tray system.





What Is A Cable Tray? 5 Types Of Cable Trays

A cable tray is a structural system used to support and manage electrical cables in various settings, such as industrial, commercial, and residential environments. It provides a pathway for safely routing



Trough Type Cable Tray Guide: Load, Installation & Benefits

A professional guide to trough type cable trays. Explore load capacity charts, installation guidelines, advantages over ladder type, and key selection criteria for your project.



B-Line series Cable Tray Design Considerations

Is your cable tray system optimized for safety, dependability, space and cost savings? Cable tray (or cable ladder) systems are a popular alternative to electrical conduit systems, as they have an

Cable Tray Technical Guide A practical guide to product selection and

A practical guide to product selection and installation This guide for engineers and installers has been developed by ABB as a practical reference regarding cable tray characteristics, installation, and





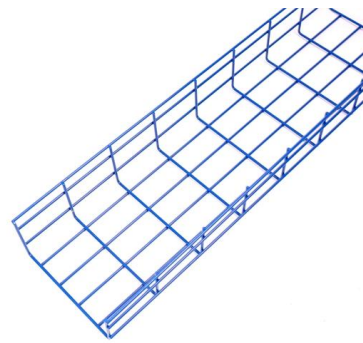
7 Types of Cable Trays: How to Choose the Right One

Cable tray systems are engineered support structures designed to route, support, and protect insulated electrical cables used for power distribution,



Best Practices for Installing Cables in Trays

Learn the best practices for installing cables in trays. This guide covers essential steps, technical requirements, and key details



Installation Techniques and Construction Key Points for Cable Trays

This article will provide you with an in-depth understanding of the different types of cable trays, installation techniques, and key maintenance points, ensuring that you'll no longer feel confused

Cable Tray / Trough Tray INSTALLATION

) To install: place 1 part of cover clamp around trough tray cover and tray assembly. Place 2nd part around opposite end of Trough Tray, align clamp holes and install hardware.



The Definitive Guide to Cable Troughing

Technical Articles The Definitive Guide to Cable Troughing Cable Troughing, which is often called Cable Raceway, Cable Routing System, Cable Management

Cable Tray Technical Guide A practical guide to product selection and

Cable tray length is selected based on the load to be supported, the distance between the supports (also referred to as the span), and handling and installation constraints.



Contact Us

For datasheets, pricing, or custom telecom energy solutions, please visit:
<https://www.koskolong.co.za>