



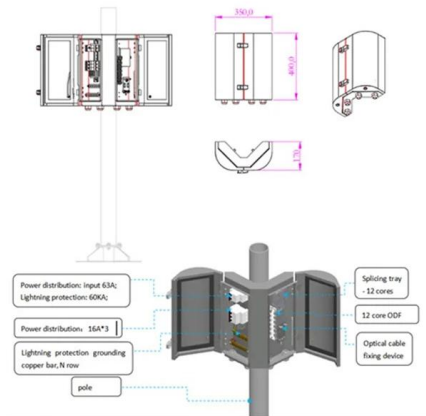
Adam Tas Corridor Energy

Mali Cable Tray Cover Plate Equipment





Mali Cable Tray Cover Plate Equipment

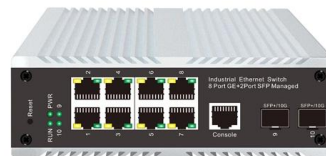


Cable Tray Cover Accessories

They include covers, clips, end caps, hinges, and fasteners, designed to fit standard cable trays. These accessories safeguard cables from dust, debris, moisture, and

Cable Tray - Unitrunk

Heavy Duty Cable Tray Straight Coupler - Light Duty Fish Plate - Light Duty Fish Plate - Medium/Heavy Duty Straight Coupler - Medium Duty Straight Coupler -



CABLE MANAGEMENT SYSTEMS CABLE TRAYS & ACCESSORIES

Fiberglass Reinforced Plastic (FRP) Cable Tray / Ladder SFSP Fiberglass Reinforced Plastic (FRP) Cable Management Systems are designed, manufactured, and tested to be installed in most harsh

Cable Tray In Mali , Cable Tray Manufacturers Suppliers Exporters

Being one of the leading Cable Tray Manufacturers in Mali, we work for customer



satisfaction and design and deliver the standard and customized range accordingly. We have a comprehensive range that



Cable Tray Technical Guide A practical guide to product selection and

In industrial facilities where maintenance and supervision conditions ensure that only qualified persons service the installation, cable tray can be used to support raceway, cables and conduit covered in



Method Statement for Installation of Cable Tray or Trunking

Site fabrication shall not be permitted. Where cable tray carries 13.8 kv cable, a tray lid shall be installed. Provide sufficient space around cable tray for



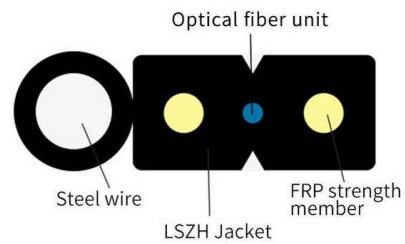
Cable Trays

Bahra Electric Cable Trays are an essential component of any well-designed electrical infrastructure, providing a safe, organized, and easily accessible



GUIDE CABLE TRAYS TECHNICAL

In accordance with its continuous improvement policy, Legrand reserves the right to change the specifications and illustrations without notice. All illustrations, descriptions and technical information



Cable Tray Cover Types: Designs, Materials & Selection

A complete guide to cable tray cover types: Compare 9+ designs, material specifications (NEMA/IEC), selection factors & maintenance best practices.

Types of Cable Trays: Ladder, Perforated, Basket, Solid

Cable trays play a vital role in organizing and supporting electrical cables across industrial and commercial facilities. Each type of cable tray



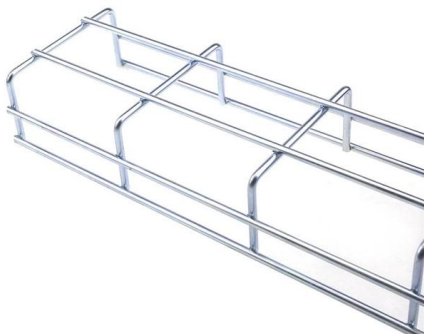
Document DICOS

Attaching a channel cable tray by using the method illustrated in Figure 3-88 maintains the electrical requirements, and the bolted mechanical connection while providing a practical method for dropping



Cable Trays Prices in Nairobi, Kenya , Pmz Limited

Buy Cable Trays at the Best Prices from Pmz limited, your trusted and reliable shop in Nairobi, Kenya. Explore the Latest Pricelist in Kenya.



Cable tray

In the electrical wiring of buildings, a cable tray system is used to support insulated electrical cables used for power distribution, control, and communication. Cable

Cable Tray Technical Guide A practical guide to product selection and

SOLID-BOTTOM CABLE TRAY Providing additional cable protection, solid-bottom cable tray is sometimes preferred to support and protect numerous small instrumentation and control cables.



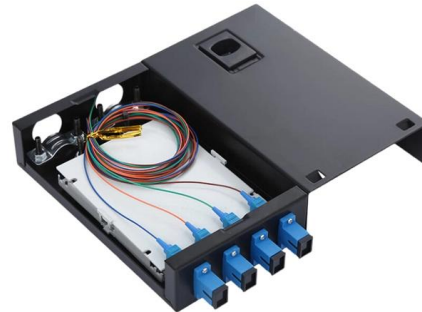


Cable trays

The cable trays feature slot patterns allowing for optimal and efficient positioning of equipment and easy access for cable ties and other fixings such as tubing

Cable Tray Systems

The Cope-GLAS Cable Tray System offers a full line of fiberglass accessories to suit any application. Accessories must be ordered individually to complete the system.



Cable Trays for Shielding Electromagnetic Interference

Tray-type Trays: While these trays are more aesthetically pleasing and offer functional support, their shielding capabilities are limited. Adding a cover

Cable Tray

Cable Trunking Cable trunking is fully enclosed cable support and protection systems, and are one of the three main types of cable trays. The main body is an



Mastering Cable Tray Installation , Step-by-Step Guide for a Seamless

Learn how to install cable trays correctly. Get the ultimate step-by-step guide on setting up a seamless and reliable cable management system.

CABLE TRAYS GENERAL INFORMATION AND

Installation and maintenance of cable tray systems shall be conducted only by qualified personnel and responsible persons should be trained properly. During



Cable Tray Specifications for Darsalam Project

It specifies the materials, dimensions, and quantities of ladder and perforated cable trays in various widths and heights, as well as couplings, bends, tees, and other



Cable trays

Our cable trays are produced in fit for purpose materials like stainless steel, galvanized, aluminium and fibreglass (FRP/GRP) composites to suit any project



Contact Us

For datasheets, pricing, or custom telecom energy solutions, please visit:
<https://www.koskolong.co.za>