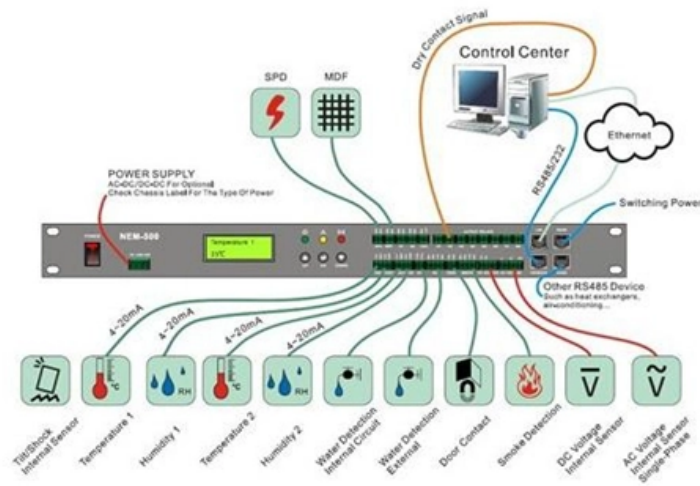




Adam Tas Corridor Energy

Manufacturer QSFP-DD optical module 800G





Overview

Cisco QSFP-DD and OSFP 800G ZR/ZR+ digital coherent optics modules enable 800G traffic over amplified Dense Wavelength-Division Multiplexing (DWDM) links up to 120 km for 800ZR and over 1000 km for 800G ZR+. The 800GBASE-XDR8 QSFP-DD optical transceiver module is designed for 800GBASE Ethernet throughput up to 2km link lengths over OS2 single-mode fibre (SMF) using a wavelength of 1310nm via dual MTP/MPO-12 APC connectors. Smartoptics QSFP-DD transceivers provide cost-efficient 400G and 800G optical networking. Develop, Manufacture and Support the Most Comprehensive Portfolio of Optical Transceivers. In addition to the traditional EML design, it also adopts silicon-based solution to meet short-distance transmission. QSFP-DD is a new module and cage/connector system similar to current QSFP, but with an additional row of contacts providing for an eight lane electrical interface.



Manufacturer QSFP-DD optical module 800G



Cisco QSFP-DD and OSFP 800G ZR/ZR+ Coherent

These digital coherent optics modules enable 800G traffic over amplified DWDM links up to 120 km for 800ZR and over 1000 km for 800G ZR+.

Strategic Validation: The Critical Role of 800G QSFP-DD Loopback

High-performance 800G QSFP-DD loopback module for transceiver and network validation. Passive design, MTP/MPO-12 connector, compliant with QSFP-DD MSA standards.



800G Client Optics in the Data Center

The QSFP-DD specification was expanded in 2021 to support 800G applications, using 100G PAM4 lanes (QSFP-DD800), and increased maximum module power dissipation, with products supporting



QSFP-DD Packaged Optical Module Strategic Roadmap: Analysis and

Explore the dynamic QSFP-DD Packaged Optical Module market, projected to hit \$15.44 billion by



2025 with an 11.1% CAGR. Discover key drivers, trends in data centers, cloud computing,

DETAILS DISPLAY

Focus On Every Detail



01

Neat & Clean Layout

Cleaner arrangement of components, Easy to operate



QSFP-DD TRANSCEIVERS for 400G and 800G , Smartoptics

Smartoptics QSFP-DD transceivers provide cost-efficient 400G and 800G optical networking. QSFP-DD (Quad Small Form-Factor Pluggable Double Density) transceivers double the number of high-speed

What is QSFP & QSFP+ Transceiver: An Ultimate Guide

QSFP DAC: Direct attach copper cable with QSFP+ module on both ends, mainly for very short interconnectivity, like between adjacent switches or



QSFP-DD Price Guide 2026: 400G/800G Costs & TCO Analysis

QSFP-DD price guide with 400G/800G module costs, OEM vs third-party comparison, volume discounts, and 3-year TCO analysis for data center buyers.



QSFP-DD

Our Features QSFP-DD extends the use and usability of the QSFP family of modules to support higher speeds of 400G, 800G and now 1600G. Both 1x1 and 2x1



Optical Modules: 400G, 800G, 1.6T, and PCB Selection in Manufacturing

These modules are suitable for large-scale networking, enabling high-speed, high-capacity data transmission between servers, storage devices, and switches. For example, QSFP28

Optical Transceivers SFP SFP28 QSFP28 QSFP-DD 1G to 400G Range

Browse optical transceivers from Pivotal Optics including SFP, SFP28, QSFP28 & QSFP-DD modules. 1G to 400G solutions for data centers & networks. Shop now!



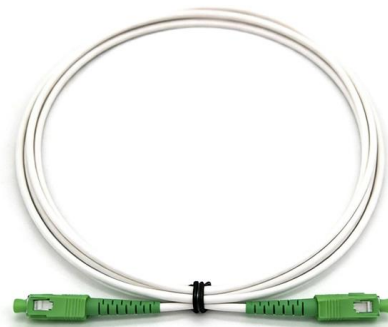
Cisco QSFP-DD and OSFP 800G ZR/ZR+ Coherent Optics Modules

Cisco QSFP-DD and OSFP 800G coherent optical modules are supported on Cisco switches and routers. For more details, refer to the Cisco Transceiver Modules Compatibility Matrix.



Optical Transceivers , Coherent

Get the pluggable module performance you need from the manufacturer of choice for all major networking equipment vendors worldwide.



Optical Module Package Market 2025

The region benefits from strong R& D capabilities and early adoption of high-speed optical modules such as QSFP-DD and CFP2, catering to hyperscale data centers.

Cisco QSFP-DD and OSFP 800G ZR/ZR+ Coherent Optics Modules

The 800G QSFP-DD and OSFP coherent optics expand Cisco Routed Optical Networking applications to include 800G links. The 800ZR modules leverage the Optical Internetworking Forum (OIF)





Warranty QSFP optical module 800G online manufacture

Introduction The 800G and 400G optical transceivers are high-speed fiber-optic modules used to transmit large volumes of data over fiber optics. Their usage is mainly driven by the need for massive

Customized 800GBASE 2 x XDR4/XDR8 QSFP-DD PAM4 1310nm

The 800GBASE-XDR8 QSFP-DD optical transceiver module is designed for 800GBASE Ethernet throughput up to 2km link lengths over OS2 single-mode fibre (SMF) using a wavelength of 1310nm



NVIDIA Optical Modules: QSFP-DD/OSFP 800G Solutions,

Explore NVIDIA's 800G optical modules with QSFP-DD and OSFP form factors. Learn about performance specifications, compatibility features, and application scenarios for AI clusters

A Comprehensive Guide to 400G OSFP Ethernet

Comprehensive Product Portfolio In addition to 400G OSFP Ethernet transceivers, NADDOD offers a full range of 1.6T, 800G, 400G, 200G, and 100G



Understanding the OSFP Standard: The Open 400G/800G Optical

Introduction: The Shift from QSFP-DD to OSFP As data centers transition from 400G to 800G interconnects, bandwidth demand, power efficiency, and thermal constraints have forced the

800G QSFP112-DD Optical Transceiver Modules

AscentOptics' 800G QSFP-DD optical transceiver module includes two architecture solutions, 4x100Gx2 and 8X100G. In addition to the traditional EML design, it also



Qsfp-dd Module Market Size, Trends, 2026-2033 Forecast, and

Artificial Intelligence (AI) is revolutionizing the Qsfp-dd Module Market by optimizing manufacturing processes, enhancing predictive maintenance, and enabling real-time network



800G QSFP-DD-Product Solutions- INNOLIGHT

Develop, Manufacture and Support the Most Comprehensive Portfolio of Optical Transceivers. 800G QSFP-DD optical module includes two architecture solutions, 4x100Gx2 and 8X100G. In addition to



OEM 800G QSFP-DD Optical Modules: Technical Overview and

OEM 800G QSFP-DD modules must be fully compatible with major switch and NIC vendors to ensure market acceptance and reduced integration risk. Many suppliers list compatibility

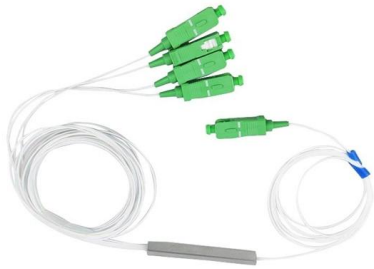
QSFP-DD Product Family » Acacia

800ZR QSFP-DD Pluggable Coherent Optical Module DCI Key Features Optimizes 800Gbps data center interconnect (DCI) edge links with reaches up to 120km



Optical Modules Market Research Report 2034

The QSFP (Quad Small Form-factor Pluggable) form factor family, encompassing QSFP+, QSFP28, QSFP56, and QSFP-DD variants, was the dominant form



Contact Us

For datasheets, pricing, or custom telecom energy solutions, please visit:
<https://www.koskolong.co.za>