



**Adam Tas Corridor Energy**

# **Mexico imported low-temperature resistant photoprotection switches wholesale**





## Mexico imported low-temperature resistant photoprotection switch

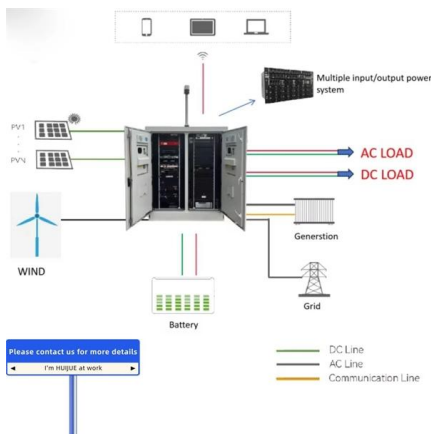


### Mexico Electric Switches Market , Share, Size & Volume

The Mexico electric switch market is expanding due to tech advancements, urbanization, and the rising demand for energy-efficient and smart solutions.

### Contact Switches , MISUMI MEXICO

Contact Switches for industrial applications. MISUMI offers free CAD downloads, short lead times, competitive pricing, and no minimum order quantity. Purchase Contact Switches, Factory Automation



### Customs Ruling HQ 950286

These units, which will be imported from Mexico, are used by utility companies to control street lights. The units are basically photoelectric switches. They fit into standard street lights, and are light

### Mexico Thermal Differential Switches Market Competitive

Entering the Mexico Thermal Differential Switches Market involves navigating a complex



landscape of barriers that can deter new entrants and influence competitive behavior.



### **TOP 20 Leading Eyewear Manufacturers in Mexico**

Discover the top 20 eyewear factories and suppliers in Mexico offering OEM, ODM, and private-label optical frames, sunglasses, and lenses. Ideal for

### **Mexico**

A number of these measures affect Mexican textile importers, including the use of an importer registry, the establishment of reference prices (though they should not be applied to



### **Wholesale High Temperature Limit Switches IP67 Protection,**

The resistance of high-temperature limit switches to chemical exposure varies significantly based on design, housing material, and sealing quality. Not all models are chemically resistant, so selection





## Manufacturers - Latin America Electrical Representatives

Latin America Electrical Representatives is an electrical manufacturers' representative serving primarily the Mexico market with the highest quality electrical industry manufacturers in all of Latin America.



### Page Title

Photocontrol - Low-Cost Locking Type Thermal Photocontrol, 120-277 V, Mexico Sales Only

## Shared mechanisms of photoprotection in photosynthetic organisms

Adjustments in the abundance and organization of the pigment protein complexes that constitute the photosynthetic machinery during severe stress such as low temperatures and



## Clinical recommendations for photoprotection in Mexico

Clinical Recommendations for Photoprotection in Mexico Ivonne Arellano Mendoza, Daniel Alcalá Pérez, José Fernando Barba Gómez, Blanca



## NetLogo References

References This page lists publications that have used or cited NetLogo software and/or models. This list is by no means complete or exhaustive. If you are using and/or citing NetLogo in your work, or



## HS Code 8536 Electrical apparatus for switching or protecting

Import-export data about HS code 8536: Electrical apparatus for switching or protecting electrical circuits, or for making connections to or in electrical circuits, e.g., switches, relays, fuses, surge

## Toggle Switches , MISUMI MEXICO

Toggle switches allow the switching of electrical circuits by operating a lever. They are used in industrial machinery such as machine tools and robots, as well as





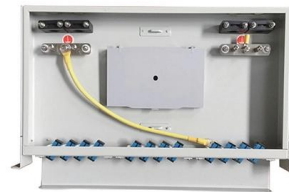
## Mexico Environmental Regulations , NAPS

Looking to learn more about the rules involved in moving your business to Mexico? Read on to learn about Mexico's environmental regulations.



### Page Title

Photocontrol - Low-Cost Locking Type Thermal Photocontrol, 120-277 V, Mexico Sales Only Item LC2100MX PRODUCT DESCRIPTION This model combines a silicon diode photosensing element



### Environment Low Temp. Resistant

Limit Switches (Environment: Low Temp. Resistant) Limit switches are electromechanical devices used to control machinery functions by detecting the presence or position of an object. They are typically

### Parts of Electric Switches, Protectors and Connectors

The visualizations show the global market for Parts of Electric Switches, Protectors and Connectors. In both charts, Mexico stands out in order to identify its participation in the export and import market.



### **global , Low-Cost Locking Type Thermal Photocontrol, 120-277 V,**

Locking Type Thermal Photocontrols  
Low-Cost Locking Type Thermal Photocontrol, 120-277 V,  
Mexico Sales Only



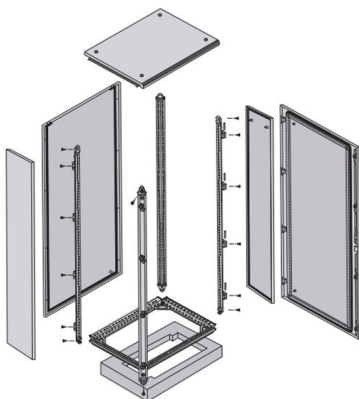
### **LC2100MX Low-Cost Locking Type Thermal Photocontrol**

Low-Cost Locking Type Thermal Photocontrol, 120-277 V, Mexico Sales Only. The LC2100MX Locking Type Thermal Photocontrol combines a photosensing element with a thermal switch to provide a



### **Manufacturers - Latin America Electrical Representatives**

Manufacturers We Represent Latin America Electrical Representatives is an electrical manufacturers' representative serving primarily the Mexico market with the highest quality electrical industry





## Environment Low Temp. Resistant

Shop Environment Low Temp. Resistant - Limit Switches at MISUMI. MISUMI offers FREE CAD download, short lead times and competitive pricing. Quote and order online today!



## Grainger Industrial Supply

Grainger is your premier industrial supplies and equipment provider with over one million products to keep you up and running. Use Grainger for fast and easy



## mx , Locking Type Thermal Photocontrols

This model combines a silicon diode photosensing element with thermal switch to provide a multivoltage, cost-effective photocontrol.



## Contact Us

---

For datasheets, pricing, or custom telecom energy solutions, please visit:  
<https://www.koskolong.co.za>