



**Adam Tas Corridor Energy**

# **Mobile 1152 Optical Distribution Box**





## Mobile 1152 Optical Distribution Box

---



### **GXF-A 1152 Cores Fiber Distribution Terminal Cabinet / ODF Optical**

These cabinets are specially designed and fabricated for outdoor operations provided to bear extreme weather conditions and provide well organized and centralized distribution of the connections.

### **Mobile Distribution Boxes , DISTRO-DIRECT**

mobile distribution boxes Users in over 68 countries worldwide appreciate the ruggedness, dependability, design and lifespan of our power distribution boxes.



### **1152 Fiber Distribution Cabinet, Fiber Distribution Hub**

It is widely used to handle fiber optic cross connections and to accommodate passive optical splitters in PON FTTX networks, but can also be used for cross splicing

### **Mobile FttA**

The mobile network / FttA (Fibre to the Antenna), is core technology for today's challenges.



### **Fiber Optic Distribution Boxes (FDB) & ODF Supplier**

OTRANS is a leading fiber optic distribution box manufacturer. We offer a wide range of 1-24 core FDB boxes and ODF cabinets for indoor/outdoor FTTH deployment.

### **Double Sided Optical Distribution Frame , Optical Fiber**

LongXing optical fiber distribution frame GPX09S is made of top quality steel and deformed aluminum alloy and treated with galvanizing, oxidation and electrostatic



### **Optical Distribution Box (ODB) in FTTH Network**

Optical Distribution Box (ODB) in FTTH Network: ODB used in FTTH network to provide an intermediate connection or interfacing point between telecom industry main fiber optic entrance





## 1152 Core SMC Fiber Optic Street Cross Outdoor Distribution Cabinet

Fiber optic cross connect cabinet is an outdoor optical equipment that is especially designed for outdoor optical nodes in access network.



## ODC-1152A Fiber Distribution Terminal FDT/OCC/ODC

Tarluz provides full line of OCC from 96 core, 144 cores, 288 cores, 576 cores to 1152 cores; the material could be using high strength SMC or stainless steel,

## FTTH Cabinet Fiber Optic Splitter Box 1152 Core 576

The machine cabinet can be integrated with: Optical Transmitter/Receiver, transmission machine, adapter, ODF, DDF, MDF, and 2M Ethernet interface. All the



Integrated Aluminum Alloy  
Die Casting



Durable and Secure Metal Screws

## 1152 cores fiber distribution terminal cabinet

Find 1152 cores fiber distribution terminal cabinet products, 1152 cores fiber distribution terminal cabinet suppliers from China, Ecer help you directly contact with 1152 cores fiber distribution terminal



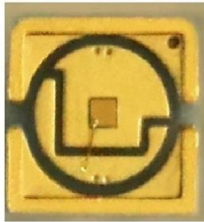
## 3M 2552 SA Wallmount distribution box

The 3M 2552SA offers excellent fibre management in an affordable box with an attractive, low profile design able to be mounted anywhere in your LAN networks. The box is also suitable for housing



## Fiber Distribution Hub , Fiber Optic Cabinet , Multilink

The Splice Hub(TM) 576/1152 can accommodate 576 SC and LC and 1152 LC fiber capacity. It houses up to 48 CT-X cassettes that you can scale as needed for your application.



## Fiber Distribution Hubs MDP EL 432/864 and MDP EL

The Fiber Distribution Hubs are designed to store up to 1,728/2,304 splices and to terminate up to 576/768 fibers with SC connectors or 1,152/1,536 fibers with LC



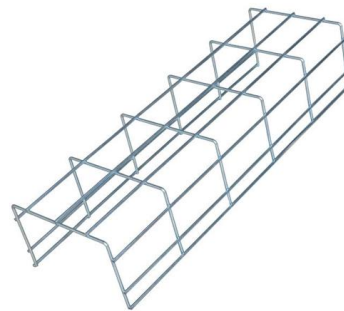
## Optical Fiber Cross Connection Cabinet 96/144/288/576/1152 Cores

This series of OCC's is with excellent insulation, high water-proof and dust-proof performance. These are widely applied in fiber optic networks, PON (GPON, EPON) OSP networks and



### 1152 fiber outdoor street cabinet

Description The fiber optic street cabinet with the function of splicing, termination, fiber storage, can be used outdoor, with the feature of waterproof and dustproof



### Optical Fiber Cross Connection Cabinet 96/144/288/576/1152 Cores

Optical Fiber Cross Connection Cabinet 96/144/288/576/1152 Cores SMC Outdoor Fiber Optic Cabinet, Find Details and Price about Cross Connect Cabinet Fiber Optic Cabinet from Optical Fiber Cross

### FTTH Selection Guide

Optical Feeder Cable (page 12) Fiber optic cables feed small distribution-serving areas. Local Convergence Point (page 15) In centralized and distributed split architectures, the field splitters are



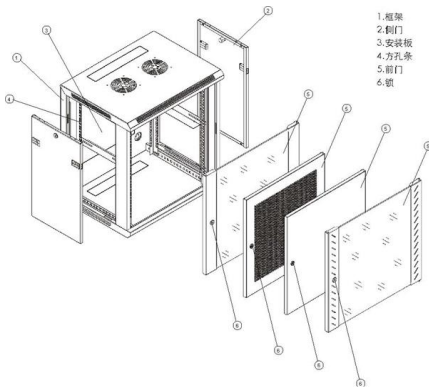


## 1152/1440 Core Outdoor 5G Ready FTTH FTTX Fiber Optic Distribution Box

1152 / 1440 Core Fiber Optic Distribution Cabinet  
Fiber Capacity Supports 1152 and 1440 cores  
Mounting Type Floor-standing / Ground-mounted  
Material SMC (Sheet Molding Compound) / Cold

## Optical Distribution Cabinet (ODC)

Optical Distribution Cabinet (ODC) Remarks: The image shown here is indicative only. If there is inconsistency between the image and the actual product, the actual product shall govern. .



## 1152 Core FTTH Fiber Optic Distribution Box Indoor Outdoor Optical

1152 Core FTTH Fiber Optic Distribution Box  
Indoor Outdoor Optical Cable Terminal Box  
No reviews yet Chongqing Diman Communication  
Technology Co., Ltd. 2 yrs

## FieldSmart 1152-Port PON Cabinet

FieldSmart Fiber Scalability Center (FSC)  
1152-Port PON Cabinet FieldSmart FSC PON  
Cabinets provide an interconnect environment  
from the feeder network





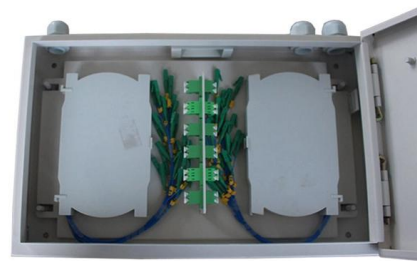
## OPTICAL FIBER DISTRIBUTION FRAMES (ODF) AR-RODF-SO Series

CATALOGUE OF PICTURES Picture 5-1  
Appearance of AR-RODF-SO series Optical Fibre Distribution Frames (ODF) Picture 5-2 Structure and dimensions of AR-RODF-SO series ODF (2.2 meter rack as



### 23. 329-22LC006X

Splitters can be installed optionally [6 Port:1\*4,12 Port:1\*8, 24 Port:1\*8 and 1\*16]  
Manage fibers in a reasonable fiber radius condition.

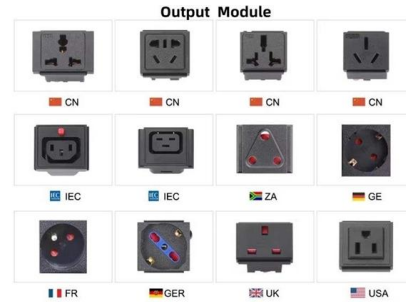


## IP65 Waterproof Outdoor Fiber Distribution Cabinet with 1152 Cores

High Capacity and Flexibility: With a capacity of 1152 cores, this fiber distribution cabinet caters to large-scale network requirements, providing ample space for fiber optic connections and expansions.

### GXF-OC-1152

Fiber Optic Cross Connection Cabinet is an outdoor optical equipment that is especially designed for outdoor optical nodes in access network. The cabinet is



**Why Choose Us**

- 20 Years of OEM/ODM 20 Years factory manufacturing experience.
- Professional R & D team 10 years experience in electrical electronic engineer.
- Fully Certified Quality certified CE,UL,TUV ISO9001,ISO14000 etc.
- Timely Delivery 21 production lines, 500 employees. Timely delivery guaranteed.
- Quality Assurance Professional QC team with full process inspection.
- After-sales service After-Sales Service for Customer Satisfaction.



## 1152 Core SMC Fiber Optic Street Cross Outdoor

1. fit for the indoor use in station or room of small capacity. 2. The machine cabinet can be integrated with: Optical Transmitter/Receiver, transmission

## Contact Us

For datasheets, pricing, or custom telecom energy solutions, please visit:  
<https://www.koskolong.co.za>