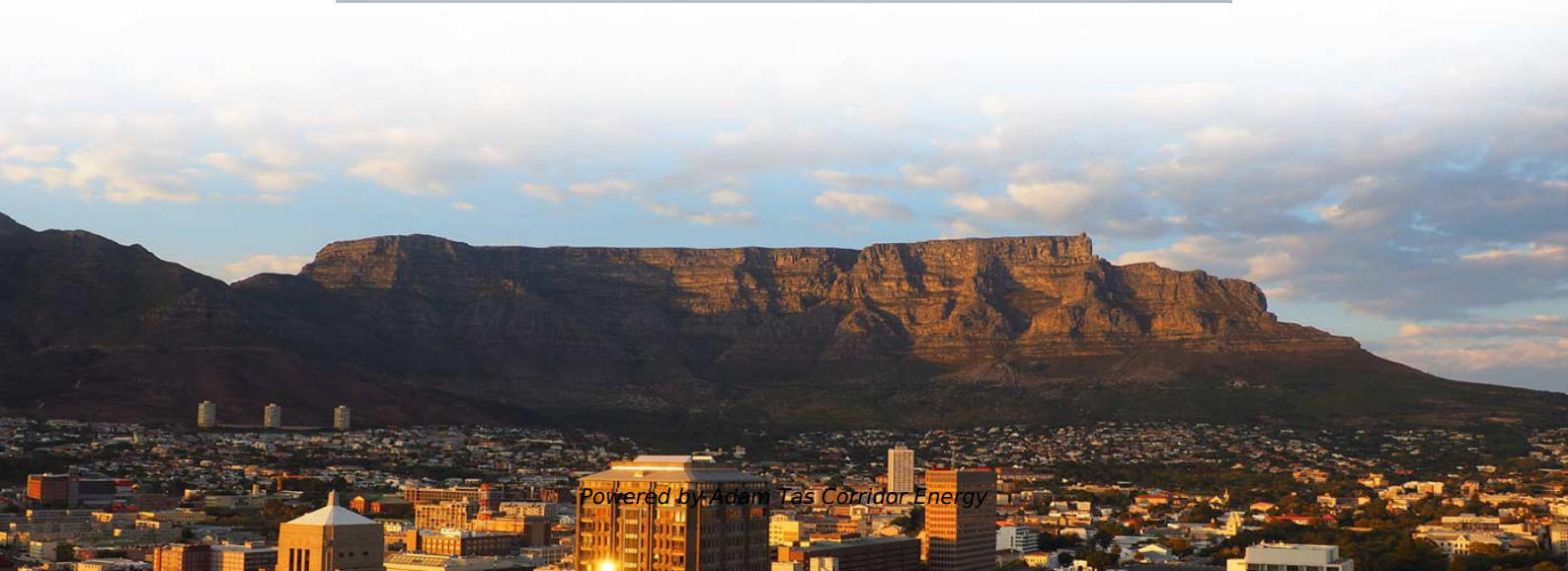




Adam Tas Corridor Energy

Mobile Broadband Optical Module Power





Overview

Large bandwidth, small size, low power consumption and low cost have become the basic characteristics of the development of optical module technology. 5G base station interconnection optical modules are mainly upgraded from 6Gbit/s/10Gbit/s to 25Gbit/s/100Gbit/s, and. These compact modules are the indispensable workhorses converting electrical signals into light and back again, forming the high-speed backbone connecting 5G radios, baseband units, and core networks. Silicon capacitors (SiCaps) bring a reliable way of reducing energy consumption while improving performance. The Mobile Optical Pluggables (MOPA) is an example of an industry initiative going in this direction. Moving from 4G to 5G, this trend shows no sign of slowing down: peak data rate (maximum. With each generation, they deliver higher data rates, such as 100 Gbps, 400 Gbps, and soon 800 Gbps. Defining the Optical Modules Eco-Systems Hi, can i use MPQ5031 and MP4248 together in general?

Does it also pass the 100W USB-IF PPS Certification?

Is there a general solution for USB PD 100. MPM3695-25/10 PMBus Changes?

We just rebuilt a design with MPM3695-25 & MPM3695-10.



Mobile Broadband Optical Module Power



Optimized Optical Solutions for Mobile Networks

Generating a shared and common view of optical solutions for mobile transport across all relevant industries is an effective way to secure that the right optical components, with a consistent and

Understanding Optical Modules: Working Principles,

Explore the working principles, structures, and performance metrics of optical modules, essential components of optical fiber communication systems. Learn



Optical Modules: The Backbone of Next-Generation

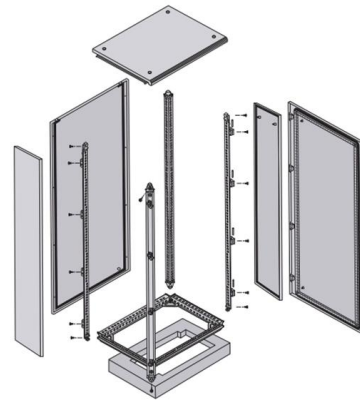
Optical modules enable high-speed, low-latency links across 5G fronthaul, midhaul, and backhaul. Learn how transceiver types, standards, and

Enabling Higher Data Rates for Optical Modules With Small and

A constant trend in optical modules is to offer higher data rates within the size-limited and



thermally-limited form factor by using smaller, integrated Power and Data-Converter solutions.

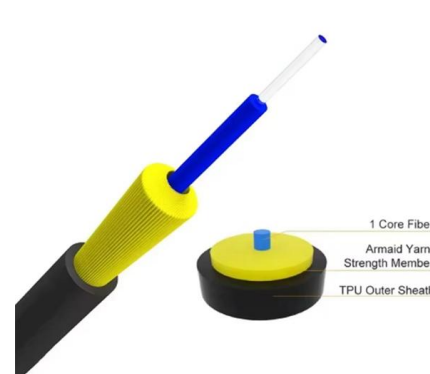


Application Introduction of Optical Modules in 5G

Table 2 lists the mainstream specification requirements for high-speed optical transceiver modules in the 5G transport network.

Products

Optical Products Fiber Optic Modules and Components An extensive portfolio of high-density, high-speed optical interconnects designed for wired networking applications and specialized lasers,



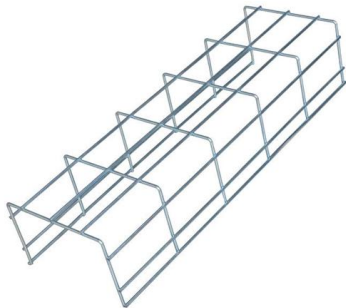
Optical Modules

Optical modules are optical transceivers used for high-speed data transmission, and are used anywhere larger amounts of data needs to be sent and received. From



What is PON Modules and Its Role in Modern Networking

What is the main advantage of using PON modules over traditional optical modules? PON modules operate passively, which means they don't need



Advancing Optical Modules for Data Traffic with MPS

The increasing demand in data traffic and increasing transmission rates are creating challenges to the design of optical modules. Find out how the MPM38x4C series

Sicaps reduce Power consumption

We explained how AC-coupling UBB SiCaps are efficient in very high-speed optical modules, thanks to their specific design and low profile. We also saw the impact of the SNR on the power consumption



Fiber-optic communication

An optical fiber patching cabinet. The yellow cables are single-mode fibers; the orange and blue cables are multi-mode fibers: 62.5/125 mm OM1 and 50/125 mm



Multimode RF power amplifier in mobile broadband modules

Abstract Mobile broadband modules offer high-quality connectivity for business customers. Cost and size are the key factors in their design. This thesis work presents a cheap and small solution



25/50Gbps Passive Optical Network (PON)

Avalanche Photodiode Arrayed Waveguide Grating Base Band Unit Broadband Passive Optical Network Chromatic Dispersion Clock Data Recovery Channel Common Public Radio Interface Centralised



Enabling the full value of connectivity

Ericsson enables communications service providers and enterprises to capture the full value of connectivity. Our innovation investments have delivered the benefits of mobility and mobile





Demystifying Optical Transceivers: Your Top FAQs

FAQ Summary of optical modules: answers on types, compatibility, design, troubleshooting, and glossary for 2025 network upgrades and maintenance.

Smallest Thinnest Power Modules for Data Center Optical Modules

By operating from a single 2.7V to 5.5V input power rail and integrating the controller, gate driver, power inductor, and MOSFETs, these mini modules are optimized for space-constrained applications like

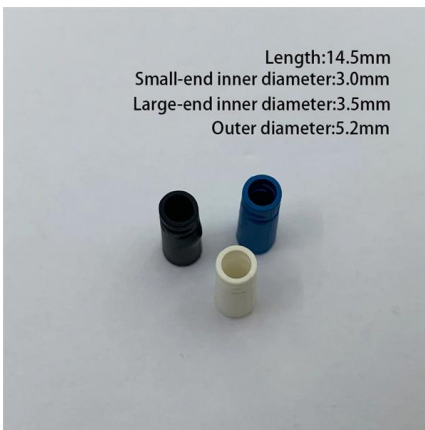


How much minimum Optical Module Input Power

My Airtel Xstream Fiber connection's Optical Module Input Power(dBm) has significantly decreased from -24 dBm to -27 dBm. Is it okay or is

A Comprehensive Analysis of Methods for Improving and Estimating

With the growing global deployment of Fiber-to-the-Home (FTTH) networks driven by the demand for ensuring high-capacity broadband services, mobile network operators (MNOs) face



Fiber ONT , Nokia

Your optical network terminal is your face to your customer, so it had better be good. Get the best fiber ONT for your FTTH broadband services. Read more.

Canalys

Omdia, part of Informa TechTarget, Inc., is a global analyst and advisory leader that helps you connect the dots across the technology ecosystem. Our deep



Introduction to GPON Optical Modules and Their

2. Transmission Distance and Power Classes
GPON modules are categorized into different power classes based on their optical budget, which





Smallest Thinnest Power Modules for Data Center Optical Modules

The optical module is majorly employed in the field of data communication. Data traffic has increased manifold with the emergence and rise of big data, blockchain, cloud computing, the IoT, artificial



Microsoft Word

The solutions in this paper are called mobile optical solution blueprints, or just Blueprints, encompassing the optical technologies--mainly optical pluggable modules but also accompanying components

How Optical Modules Power the Evolution of 5G Networks

Different optical modules can work at speeds from 10G to 100G. This helps 5G networks support more people and more data at once. Optical modules



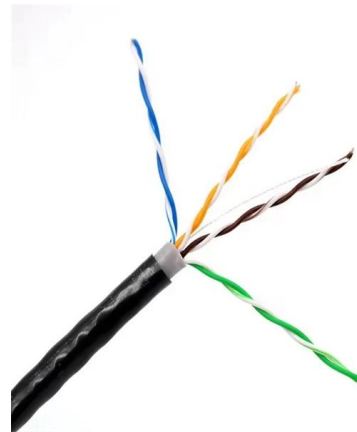
Powering Optical Modules

Powering the Optical transceivers & Hardware used in the most advanced Telecom and Datacom Infrastructure Solutions for All Optical Modules for Today's and



Essential 5G Requirements: Configuring QSFP28 100G

This passage discusses the critical role of 100G Ethernet in 5G base station connectivity, focusing on its requirements for bandwidth, latency,



Contact Us

For datasheets, pricing, or custom telecom energy solutions, please visit:
<https://www.koskolong.co.za>