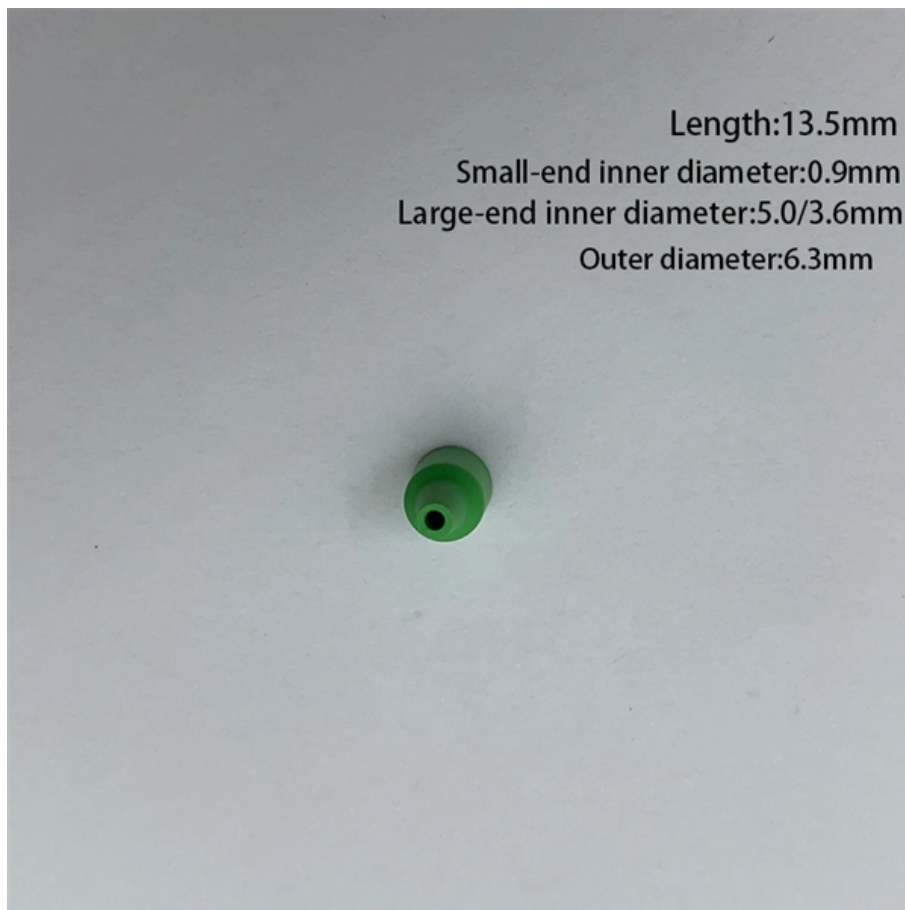




Adam Tas Corridor Energy

Moldova Optical Cable Line Construction Unit



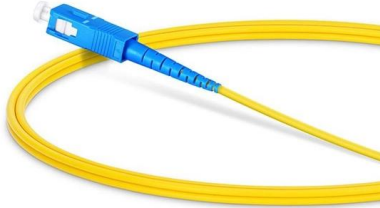


Overview

Progress includes approximately 190 foundations and 30 assembled pylons, with the construction site spanning about 65 km. 16 January 2025, Chişinău - The march of the works at the 400 kV overhead power line (OPL) Vulcanesti-Chisinau has been considered at a meeting chaired by Prime Minister Dorin Recean. The Republic of Moldova has received financing from the World Bank toward the cost of the Power System Development Project (PSDP), and intends to apply part of the proceeds for consulting services. The consulting services ("the Services") include the provision, to the Client (MEPIU) and the State. KEC signs the contract to construct 400 kV Vulcăneşti - Chişinău Transmission Line with Moldova Energy Projects Implementation Unit (#MEPIU), in the presence of Mr. Andrei Spinu, Deputy Prime Minister and Minister of Infrastructure Regional Development, #Moldova. TERMOELECTRICA Moldova has Released a tender for Purchase Of The Works For Laying The 0.



Moldova Optical Cable Line Construction Unit



Purchase Of The Works For Laying The 0.4 Kv Lec Control Cables, At

TERMOELECTRICA Moldova has Released a tender for Purchase Of The Works For Laying The 0.4 Kv Lec Control Cables, At The Power Units No.1, 2, 3 And The Common Machine,

The EBRD launches the tender for the electric line Balti

In 2027, authorities will complete construction of the Balti-Suceava power line. Once finalized, it will enhance Moldova's cross-border interconnection



Transelectrica launches construction of two 400 kV

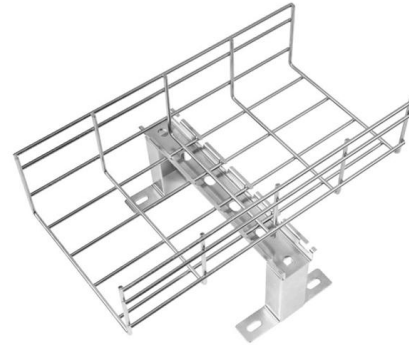
The contract for the design and construction of the 400 kV Suceava (Romania) - Republic of Moldova (B?l?i) Interconnection Overhead Power Line,

Moldova to receive 15.4 million euros for construction of Balti-Suceava

The grant of 15.4 million euros is meant for the construction and equipping of the 400 kV



overhead power line (OPL) that will interconnect the municipality of Balti and the municipality of



Moldova to receive EUR15.4 million grant to build B?I?i

The Republic of Moldova will receive a grant of EUR15.4 million from the European Bank for Reconstruction and Development (EBRD) for the construction

Optical Fiber Cable Engineering Construction: A

Optical Fiber Cable engineering construction refers to the process of designing, planning, executing, and maintaining communication system infrastructure by



The EU Will Provide a EUR15.4 Million Grant for the Construction of the

The agreement provides for the allocation of non-reimbursable financial support from the European Union amounting to EUR15.4 million, which will co-finance 20% of the construction of the 400 kV B?I?i



Telecommunications

We have provided turnkey solutions for building a new network of digital television for Orange, including CAD, legal compliance, infrastructure construction and even negotiating with residential owners.



Construction of Balti-Suceava power line, modernization of Balti power

3 april 2025, Chişinău - The construction of the 400 kV Balti-Suceava overhead power line (OPL), the modernization of the 330 kV Balti power station and the construction of a new 400 kV power station

ACE CABLING

ICS ACE Cabling SRL is a company with foreign capital, located in the industrial area of the city of Chisinau on an area of approximately 4500 m2. Established in 2005



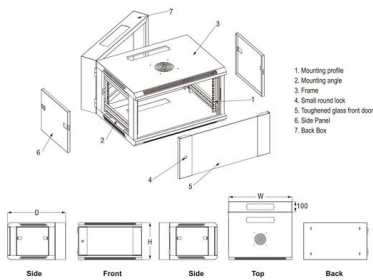
US approves \$130 million project to build power line in

The U.S. has approved a \$130 million project to construct a high voltage transmission line to ensure a reliable electricity supply to Moldova from



Moldova Govt Tender for Moldova: Construction of a High-Voltage

Moldova government tender for Moldova: Construction of a High-Voltage Electricity Transmission Line Balti - Suceava (400Kv Ohl), TOT Ref No: 123677117, Tender Ref No: 54567, Deadline: 15th Sep



Moldovan Energy Ministry denies fake news on

The Energy Ministry and the Consolidated Unit for the Implementation and Monitoring of Projects in Energy Sector (UCIPE) today rejected fake news

EBRD Launches Tender for Construction of B?i-Suceava (400 kV)

The European Bank for Reconstruction and Development (EBRD) has officially launched the tender procedure for the construction of the 400 kV overhead power line B?i-Suceava. This line





Moldova: Construction of a high-voltage electricity transmission line

Moldova: Construction of a high-voltage electricity transmission line Balti - Suceava (400kV OHL)

ACE CABLING

ICS ACE Cabling SRL is an enterprise with foreign capital, located in the industrial area of Chisinau, occupying an area of approximately 4500 m². The company has been founded in 2005 by foreign



Visit to the Construction Site of the Vulc?ne?ti-Chi?in?u 400kV

The construction works for the Vulc?ne?ti-Chi?in?u 400kV Overhead Power Line (OHL) continue through the winter. The current work area includes UTA Gagauzia and Taraclia.

Moldova: US allocates \$130 million for construction of high-voltage

The United States will allocate \$130 million to build the Straseni-Gutina? high-voltage power line in central Moldova. The announcement was made by Moldovan Prime Minister Dorin



Moldova Will Receive EUR 15.4 Million Grant From EBRD for Construction

The EBRD's gratuitous financial assistance represents 20% co-financing of the construction of the 400 kV Balti-Suceava transmission line within the framework of the project

FIBER OPTIC CONSTRUCTION STANDARDS

Fiber optic cable sequential numbers are required at each pole location and vault wall. Sequential numbers will identify conduit length, and slack left in vaults and at poles.



Works on Vulcanesti-Chisinau overhead power line carried out

The general progress of implementation of the works of construction of OPL is of about 49 per cent and comprises about 190 foundations and 30 pillars assembled out of a total number of



Optical cable construction process and problem analysis

What are the construction procedures for optical cables? The construction procedures of general optical cable lines are mainly divided into five stages: preparation, laying, connection, testing



Discussion on the Key Points of Optical Cable Line Construction

In the construction process of optical fiber communication engineering, it is necessary to pay attention to how to improve the construction technology of optical cable line, so as to

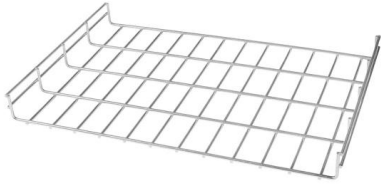
Guide to the Construction of Optical Fiber Cable Factories

With the increasing demand for faster and more reliable connectivity, the construction of optical fiber cable factories has become essential. In this guide, we will explore



Republic of Moldova Fiber Optical Cable and Cable Assembly

6Wresearch actively monitors the Republic of Moldova Fiber Optical Cable and Cable Assembly Products Market and publishes its comprehensive annual report, highlighting emerging trends,



HEBERGER

We focus on maximum customer satisfaction, both in the construction of cable trenches and house connections, as well as in the delivery and laying of supply



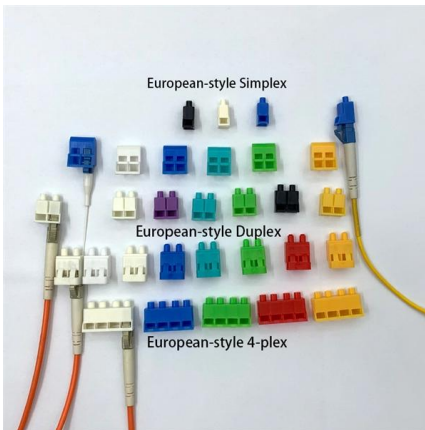
**#mepiu #moldova #kecxpower
#transmissionlines**

KEC signs the contract to construct 400 kV Vulc?ne?ti - Chi?in?u Transmission Line with Moldova Energy Projects Implementation Unit (#MEPIU), in the presence of

Investors established in Moldova the production of

Large manufacturers of cables and wires have already invested and are planning to invest in production in Moldova, a total of about one hundred million euros.





Who supplies fiber optic cable in Moldova? Manufacturers and

Searching for fiber optic cable? In the business search engine SJN you find products and services from manufacturers, suppliers, importers, exporters and distributors.

Moldova

Overview The Republic of Moldova has a dynamic and competitive telecommunication market which is characterized by high Internet access speeds, good mobile services accessibility, and robust



Contact Us

For datasheets, pricing, or custom telecom energy solutions, please visit:
<https://www.koskolong.co.za>