



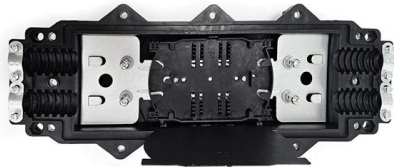
Adam Tas Corridor Energy

Nepal Optical Transmission Box Processing





Nepal Optical Transmission Box Processing

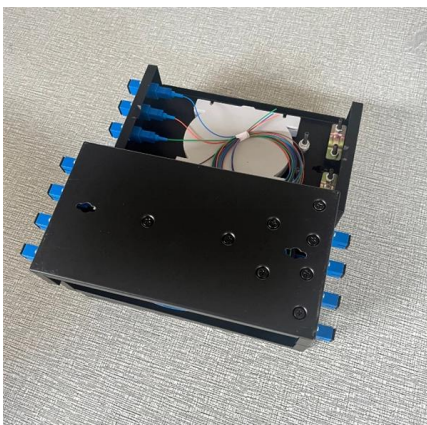


Subisu rolls out Nokia's 100G optical network in Nepal

Nepal's Subisu Cablenet is boosting its network capacity using Nokia's 100G backbone optical network. The ISP first partnered with Nokia in May 2018 in order to boost its FTTH deployment.

Nepal Telecom completes copper-to-fiber migration in

It delivers far higher and more reliable data transmission rate, consistency, and durability. Unlike copper wires, fiber optics are also less



Fiber Optic Cable Installation in Nepal's Tunnels

Nepal's mountainous terrain presents unique challenges for communication networks, particularly within tunnels where traditional methods often fall short. Recognizing the importance of reliable connectivity

D-TECH TRADING

Explore Dropcable SC UPC to SC UPC -30MTR and other networking goods at D-TECH in Nepal.



Optical Fiber Media Converters in Nepal

In addition to our standard offerings, we also provide SFP Media Converters renowned for their high quality and backed by warranty, ensuring peace of mind and long-term reliability for your networking



Tiffin Box (Heavy) in Nepal ,, Fiber Optic accessories in

Fiber Optic Accessories in Nepal: Unlock the potential of fiber optic technology with EMAN Communication. Discover a wide range of fiber optic



Transforming Internet Technology and Service in Nepal

What is FTTH? FTTH internet is the latest technology in which the data is transmitted via optical fiber from a central point directly to individual residence or business to provide unparalleled high-speed





Packaging Units

At GVL, we have a ultra-modern corrugation unit having the capacity of 3000 MT per fiscal year for manufacturing durable, stylish and customisable corrugated boxes.



Nepal Telecom Launches Fiber Optic From Kalikot To Mugu , Digital Nepal

26th March 2025, Kathmandu Nepal Telecom has taken a monumental step in bridging the digital divide by deploying All-Dielectric Self-Supporting (ADSS) optical fiber from Manma (Kalikot) to Gamgadhi

12 Core Fiber Optic Termin**al Box

Shop 12 Core Fiber Optic Termin**al Box - FTTH Distribution Enclosure online at a best price in Nepal. B08HWZNSPZ



NEPAL DOORSANCHAR COMPANY LIMITED (Nepal Telecom)

BIDDING DOCUMENT For Trenching, Ducting, Laying, Testing and Handover of Underground Optical Fiber Network (Dumkibas-Gaidakot Route)



PASCHIMANCHAL PVT.LTD

Paschimanchal Solution Pvt. Ltd. was incorporated in 2010 and in the relatively short period of time since its inception, it has established as a major Optical fiber



Nepal 400/220 kV Transmission Line Bid , PDF , Optical Fiber , Cable

Nepal 400/220 kV Transmission Line Bid The document provides specifications for optical ground wire (OPGW) cabling and associated hardware and fittings for a fiber optic cable project in Nepal.

Technovate

Technovate International Pvt. Ltd was established in 2017 with an objective to provide end-to-end fiber optic products and solutions to Internet Service Providers (ISPs) and Cable TV Operators in Nepal;





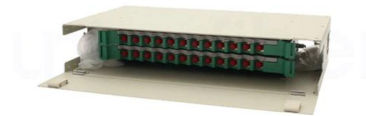
Nepal's Subisu deploys Nokia's 100G optical network to enable ultra

Nokia has announced that Subisu, a internet service provider in Nepal, has deployed key products from Nokia's optical portfolio to expand into new markets and provide improved quality of



Optical Fiber DB Box Heavy Cassette in Nepal , D-TECH TRADING

Optical Fiber DB Box Heavy Cassette provides a rugged organized and reliable solution for protecting and organizing fiber optic splices and connections in v



Optical fiber DB Box in Nepal ,, D-TECH TRADING ,, Nepal

Optical fiber solutions DB Box in Nepal Visit our site : <https://bit.ly/3IO8x48#dtechtrading> #opticalfiberdbbox

Nokia, WorldLink build Nepal's first 100G optical network for

Sanjay Malik, head of India Market, at Nokia, said: "We are proud to be part of WorldLink's vision to transform Nepal's communications architecture by providing the first 100G



Worldlink and Nokia build Nepal s first 100G optical

The ISP has currently leased Nepal Electricity Authority's (NEA) resources for the required infrastructure. It is using NEA's fibre for the



A study on FTTH implementation and migration in Nepal

nt subscribers and especially for home subscribers. This paper presents a study on the effective deployment of PON based FTTH network at Nepal by referring the deployment scenario of Nepal



Detailed Feasibility Studies: Transmission Projects in

Nepal suffers from one of the worst electricity supplies in South Asia. In December 2014, MCC selected Nepal as an eligible country and began work on developing a





Nepal Telecom Launches Optical Fiber-Based

This new infrastructure will enhance NTC's 4G mobile data and fiber broadband services in Kalikot, Jumla, and Mugu, helping to extend telecom



Nepal and India agree on modality for cross-border

The transmission line is crucial for Nepal's plan to export 15,000 megawatts of electricity to India and Bangladesh by 2035.



Optical Fiber DB Box Heavy Cassette in Nepal , D-TECH TRADING

This FAT box features a durable IP66 waterproof and dustproof enclosure, making it suitable for harsh outdoor conditions in telecom, ISP, and fiber optic infrastructure projects across Nepal.



Fiber Optic Cable Installation in Nepal's Tunnels

With precision and expertise, our dedicated team meticulously executed each phase of the installation process. From careful planning and cable pulling to splicing and testing, every aspect was handled



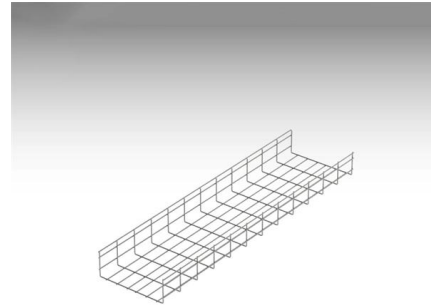
Alpha Link Engineering Pvt. Ltd. -- Optical Fiber & Network

Alpha Link Engineering is a leading Optical Fiber Networking and Engineering Services company in Nepal. Specializing in FTTH, network infrastructure, OPGW, and ICT consultancy.



Transmission Line In Nepal

GL FIBER focuses on optical fiber OEM production services, and is committed to providing customers with brand customization, personalized



Grid Cable for marine and offshore applications



Transmission System Master Plan of Nepal

Transmission System Plan The cost of constructing a transmission network is high. So, an up-to-date national Transmission System Plan that optimizes domestic demand, export and import. load flows is



NEPAL DOORSANCHAR COMPANY LIMITED

Nepal Telecom, Backbone Transmission Directorate invites electronic bids from eligible Nepalese bidders for the Installation, Testing, Handover and Maintenance of ADSS / DBC/Sub Duct Optical





RH-688X 5.1CH Audio Decoder 5.0 Digital Audio

Whether you're playing music from a USB disk, connecting to a PC, or enjoying Bluetooth wireless transmission, the RH-688X is your all-in-one audio companion.



Contact Us

For datasheets, pricing, or custom telecom energy solutions, please visit:
<https://www.koskolong.co.za>