



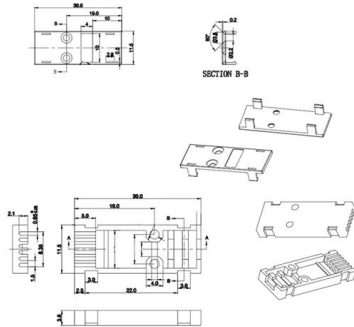
Adam Tas Corridor Energy

New Generation Relay Protection Recorder





New Generation Relay Protection Recorder



The Useful Life of Microprocessor-Based Relays: A Data-Driven

One utility reported that they attempted to quantify the useful life of several relay technologies and fit a failure curve based on observed data with protective relays divided into three categories:

VMware Cloud Foundation (VCF) Blog - Home Page

VMware Cloud Foundation (VCF) - The simplest path to hybrid cloud that delivers consistent, secure and agile cloud infrastructure. Read more.



Strategy for evaluating the status of relay protection equipment for

The new generation of intelligent substations has achieved online monitoring functions for secondary equipment, making some state variables of relay protection equipment become observable

Disturbance Recording

Easily add fault and event recording capability to electromechanical relays. Using our individually-calibrated split-core CTs, you can install our 70

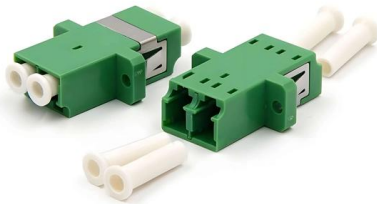


series disturbance



The Current Situation and Emerging Trends in Relay

Relay protection systems are essential in maintaining the safety and reliability of modern electrical grids. As technology advances and grids become



Strategy for evaluating the status of relay protection

Based on this, this paper proposes a novel relay protection equipment status evaluation strategy.



Installing and Maintaining Protective Relay Systems

Introduction Relay systems protect high-voltage equipment and transmission lines to ensure safe, stable systems. Although failure of a protective relay system may have severe local or regional impacts,





IEC 61850 INTEROPERABILITY BETWEEN RECORDERS AND RELAYS

ABSTRACT Today the use of digital IEDs for fault recording, protection and control (and the exchange of critical data between them) using the IEC 61850 protocol is gaining acceptance for new applications.



Substation-wide disturbance, fault, and event recording for

All modern protection and control relays contain their own disturbance, fault, and event recording functionality, ensuring that no event is lost. Despite that these modern protection and control relays

SEL-700G Family of Generator and Intertie Protection Relays

Major Features and Benefits The SEL-700G family of protection relays provides unsurpassed protection, integration, and control features in a flexible, compact, and cost-effective package.



Protecting the Core: Securing Protection Relays in

Introduction -- Why Securing Protection Relays Matters More Than Ever Substations are critical nexus points in the power grid, transforming high



SIPROTEC Protection Relays , Siemens

Siemens' universal protection relays portfolio includes products such as SIPROTEC 7SX800 and 7SX85 to provide flexibility and cost savings. Our devices cover a wide range of



Next Generation Safety Relays Overview Brochure

WELCOME TO THE NEXT GENERATION OF SAFETY RELAYS The new family of Allen-Bradley Guardmaster Safety Relays from Rockwell Automation includes six units capable of monitoring a

Protection, Control & Metering

GE Vernova's Protection, Control, and Metering solutions deliver precise, high-performance automation for today's evolving grid. From advanced relays to





Grid Automation protection and control

Advanced protection functionality to detect, isolate and restore power in overhead line networks Integrated power quality measurement, including voltage dips and swells logging Adaptable standard

Power generator protection and control

The generator protection system design takes into account the types of faults and abnormal operating conditions that could be present at the generating plant and provide means for detecting and acting



Generator protection and control REG630 IEC

REG630 is a comprehensive generator management relay for the protection, control, measurement and supervision of small and medium sized power generators and generator-transformer units in utility



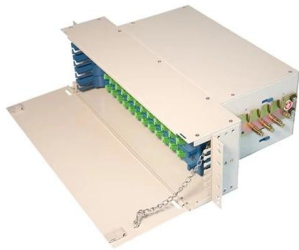
ERLPhase Power Technologies Ltd.

ERLPhase Power Technologies is a ISO 9001:2015 manufacturer of digital protection relays and power system recorders with a global customer base.



DISTRIBUTED DIGITAL

The GE Multilin DDFR(TM) is a Power System Fault Recorder that collects, archives and manages Disturbance and Fault information that is recorded by microprocessor based protective relays



Substation-wide disturbance, fault, and event recording for

The evolution of protection relays from electromechanical relays to static relays to modern numerical protection relays with communication capabilities have improved the operation and control of power



Frontiers , Strategy for evaluating the status of relay

The new generation of intelligent substations has achieved online monitoring functions for secondary equipment, making some state variables of



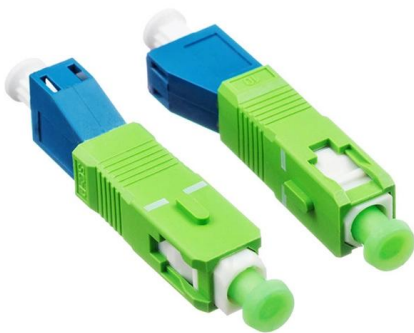
Protection relays as fault recorder , Siemens

A powerful fault recorder with integrated synchrophasor (PMU) and power quality measurement compliant with IEEE C37.118 and IEC 61000-4-30 standards.



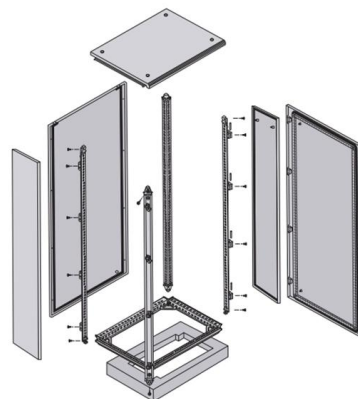
Integrated Transformer Monitoring & Diagnostics Using

All measurements electrical, chemical and thermal are synchronized to develop transformer health models using next-generation protection relays. For



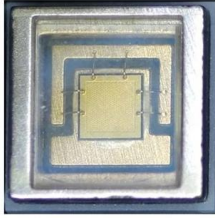
Fault recorder

The SIPROTEC 7KE85 fault recorder monitors your entire energy value chain from generation to distribution. Gain vital insights into medium, high and extra-high





Product Guide REX610 RELION® PROTECTION AND CONTROL



1. Description REX610 is a freely configurable all-in-one protection relay that covers the full range of basic power distribution applications, without forgoing simplicity. The small number of variants

Contact Us

For datasheets, pricing, or custom telecom energy solutions, please visit:
<https://www.koskolong.co.za>