



Adam Tas Corridor Energy

North Korean cable tray laying





North Korean cable tray laying



Best Practices for Installing Cables in Trays

Learn the best practices for installing cables in trays. This guide covers essential steps, technical requirements, and key details

Cable Tray Installation Procedure Guide

CABLE TRAY INSTALLATION PROCEDURE - Free download as Word Doc (.doc / .docx), PDF File (.pdf), Text File (.txt) or read online for free. This document



Cable Tray Installation and Cable Handling Method

Efficient cable tray installation and proper cable handling are critical for ensuring the reliability and safety of electrical systems. Adherence to these guidelines is

Cable tray

In the electrical wiring of buildings, a cable tray system is used to support insulated electrical cables used for power distribution, control, and

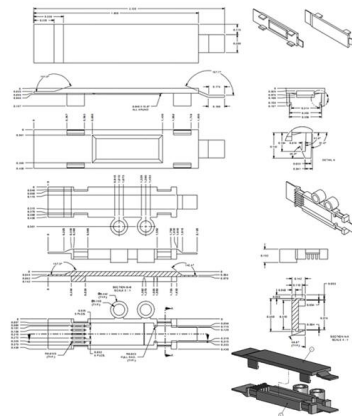


Cable Tray Installation

Whether you're building a commercial setup or upgrading an industrial plant, proper cable tray installation ensures neat wiring, safe access, and easy maintenance. But before you lay the first tray

CABLE TRAYS GENERAL INFORMATION AND

Using cable trays as walkways can cause personal injury and also damage cable tray and installed cables. Performances of cable tray systems are dependent on



SHIPBOARD CABLE TRAYS

Determine and demonstrate how cable tray technologies can be integrated into ship design to expedite cable installation, reduce safety incidents, and improve first time quality



Cable Tray In North Korea

Being one of the leading Cable Tray Manufacturers in North Korea, we use graded raw materials and all the latest technologies for manufacturing purpose. Our experienced team also pays attention to their

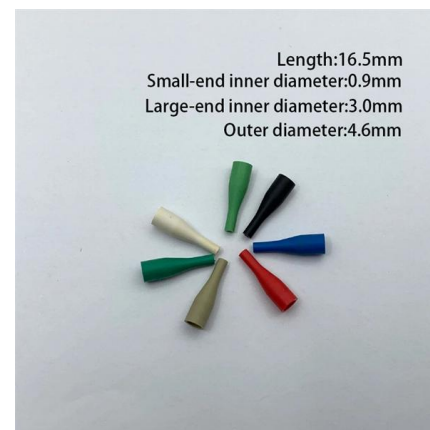


Industrial Cable Trays Malaysia , NK Synergy

NK Synergy offers a wide range of cable trays, including perforated, ladder, wire mesh, and FRP trays. Designed for durability and adaptability, our trays are ideal

Master Cable Tray Installation: A Professional Step-by

Learn how to install cable trays for large-scale projects with our professional, step-by-step guide covering industry standards, safety protocols,



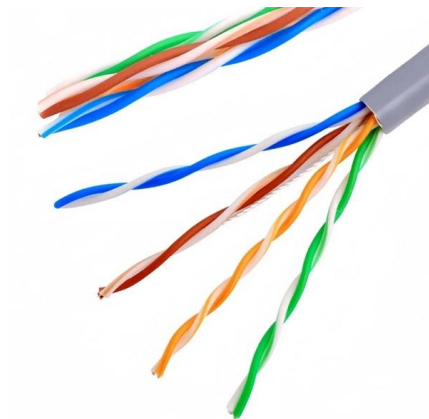
Cable Tray System

Meanwhile, Seo Young Industrial's seismic cable tray system - that combines a seismic cable tray hanger connection device and a cable tray connection device - has been recognized for its



How to Install Cable Tray: A Comprehensive Guide to Different Cable

Welcome to our step-by-step guide on installing cable trays! In this video, we'll explore the different types of cable trays available and provide detailed instructions for their installation.



Cable trays, electric Companies in South Korea , Find Cable trays

Cable tray, bolt, plus hanger #Company introduction Seoyoung Industrial Co., Ltd. was established in 2006 as a specialized cable tray manufacturer, and has been a leader in the domestic tray industry,



Cable Tray Installation Guidelines , PDF , Galvanization

This document provides details on installing cable trays and their support systems. It includes diagrams showing how to mount cable trays on walls using pre





Cable Tray In North Korea

We offer Cable Tray in North Korea in different specifications at competitive market prices. Our range is customized and passes stringent quality tests, before reaching the market.

Cable Tray Technical Guide A practical guide to product selection and

Cable Tray Technical Guide A practical guide to product selection and installation This guide for engineers and installers has been developed by ABB as a practical reference regarding cable tray



LS Cable & System to acquire largest subsea cable laying barge in Korea

LS Cable & System has revealed the plan to secure the largest submarine cable laying barge in Korea to support eco-friendly business.

Cable Tray Installation Method Statement

2.Method Statement for Installation of Cable Tray & Cable Laying - Free download as Word Doc (.doc / .docx), PDF File (.pdf), Text File (.txt) or read online for free.



Technical Specification for Cable tray installation and cable laying work

- Installation of GI Cable tray of size 300 x 50 mm x 1.6 mm thickness and complete with high tensile bolt, washers and nuts. Eight hardware sets of M8 size shall be used to prepare single joint of two



100+ Essential Questions Answered About Cable Trays:

Discover over 100 expert answers about cable trays, covering key topics like material selection, load capacity, installation methods, and maintenance.



Mastering Medium Duty Cable Tray Installation: A DIY Guide for

Explore our comprehensive DIY guide on installing medium-duty cable trays effortlessly. Enhance cable organization in your space with step-by-step instructions, safety tips, and





Technical Specification for Cable tray installation and cable laying work

Approval of IPR shall be obtained for site preparation and marking the cable tray routes and locations of cable tray support before proceeding with the erection and installation work.



Cable Tray System

Seo Young Industrial's cable tray uses a boltless tray type in which an integrated joint is inserted and fastened with a latch on the outside, providing

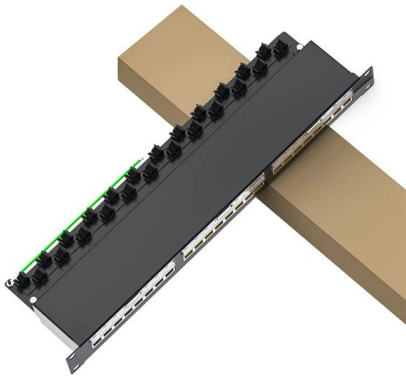
Cable Tray Installation

Learn everything about cable tray installation with our complete guide. Discover types, steps, and safety tips for efficient electrical cable management.



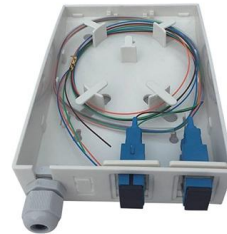
Best Practices for Cable Laying by EVIO

Cable Tray Considerations When laying cables in trays, ensure that the trays are curved appropriately at right angles. This will help maintain the



Precautions for Cable Tray Installation

Cable Tray Installation Guide The correct installation of cable trays is crucial for establishing a reliable and efficient cable system. It ensures that cables are



Contact Us

For datasheets, pricing, or custom telecom energy solutions, please visit:
<https://www.koskolong.co.za>