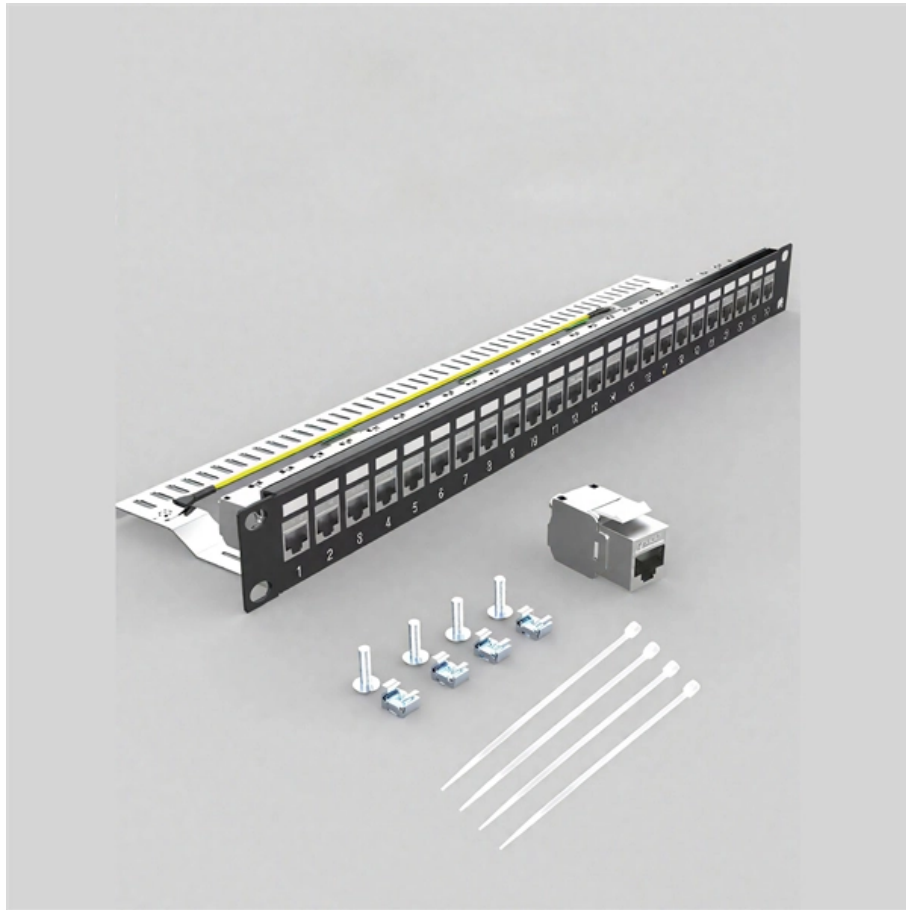




Adam Tas Corridor Energy

Norway Unicom Fiber Optic Router Setup





Overview

To set up your router for fiber internet quickly, connect the router to your fiber modem, access the router's settings via a web browser, and input the provided ISP credentials. DHCP Server lets you manage assignment of Internet Protocol addresses on your router's Local Area Network. Make sure to update the firmware, configure Wi-Fi security, and customize your network name for optimal performance. This article takes the di-740p model of broadband router D-link, the default management address is 192. Below are the step-by-step answers you've been waiting for: how to check coverage at your.



Norway Unicom Fiber Optic Router Setup

How Is Fiber Optic Internet Installed?



Discover how fiber optic internet is installed in your home. Learn about the installation process, equipment needed, and how fiber provides the

Set up a Mikrotik Router HEXs with Fiber Optic Modem

Prerequisites Configuration Troubleshooting
References Introduction The configuration guide for setting up a Mikrotik Router HEXs a for your home network. The router is used in conjunction with a fiber



Fiber Optic Cable to Router: Step-by-Step Guide

Master connecting a fiber optic cable to your router with tips, setup instructions, and configuration for optimal internet connectivity.

Residential Fiber Installation: How to Set Up Your Router

With the help of one of our Network Engineers, this video will walk you through the final step

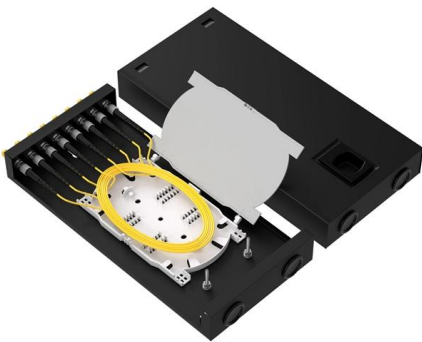


and show you how to set up your Wi-Fi router once your home is connected to our network.



Broadband Router User Guide

After performing this procedure, you must either enter your configuration settings manually or, if you have backed up your settings, restore your backup. With a thin tool, such as a paper clip, press the



Broadband Router User Guide

USRobotics Support USR8004 Broadband Router User Guide.



Broadband Router User Manual

The settings of the TCP/IP environment include IP address, Subnet Mask, Gateway, and DNS configurations. If the DHCP server of the broadband router is enabled and you configure your PCs to





Fios Router 3.1 User Manual

You can restore your configuration settings to your Fios Router factory default settings. Restoring the default settings erases the current configuration, including user defined settings and network



8001 Router User Guide

The first step in configuring your router is selecting your WAN type: After you select your WAN type, click Save, and the Web User Interface displays a setup page.

Internet in Norway in 24-72 hours: 4G/5G and fibre optics -- Norway

Imagine a world where you have a cutting-edge mobile 4G/5G router today and the ultra-fast speeds of fibre optic internet in just a few weeks. Check coverage, set minimum requirements for calls, arrange



Wireless Router User Guide SEO

This document provides an overview and instructions for configuring a Unicom 802.11g wireless router. It has features for shared internet access, wireless



Fiber Internet Installation: Step-by-Step Guide (2026)

Get fiber internet installation done right for your home or business. Enjoy lightning-fast speeds and stable connections with professional setup.



9 Steps to Set Up Your Home Fiber Optic Network

The fiber optic signal brings the capability for high-speed internet to your home. Without Wi-Fi to create a wireless network, you would be limited to

Understanding ONU Configuration for WiFi Network Setup

By mastering the setup of the optical network unit (ONU), users can ensure seamless connectivity and optimized performance for their fiber optic



How to Setup and Configure your Home Router

For fibre and cable use the WAN port (wide area network) on the Router to connect to your cable or fibre modem using an Ethernet cable. The



Internet Providers in Norway for Expats: High-Speed

Stay connected in Norway with ease! Our guide for expats explores the best internet providers, high-speed options, and tips/



China Unicom 5G VN007+ CPE Router: Real-World Performance

The China Unicom 5G VN007+ CPE router faces real-world limitations, including unsafe plug adapters, sub-2.3Gbps speeds in urban areas, and unreliable mesh networking, raising concerns about its

How to configure a China Unicom modem router

MundoWin » Tutorials » How to configure a China Unicom modem router In this tutorial, we'll show you how to set up a modem router from the Chinese brand Unicom. If you've purchased





How to Setup a Fiber Optic Home Network for MAXIMUM SPEED!

Beginner's introduction and guide on how to install and set up a Fiber Optic network cable in your home or office. Future-proof your setup, increase bandwidth and get faster, more reliable

How To Configure Router For Fiber Internet: Step-By

To set up your router for fiber internet quickly, connect the router to your fiber modem, access the router's settings via a web browser, and input the



News

News from the connectivity and digital infrastructure sectors, including telecoms, data centres, tower and wireless, subsea and more.

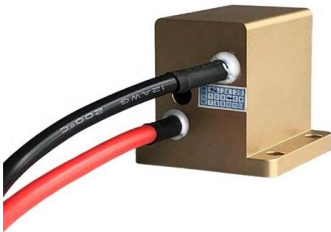
Microsoft Word

Wireless Router Features Unicom's 802.11g
Wireless Router incorporates many advanced features, carefully designed to provide sophisticated functions while being easy to use.



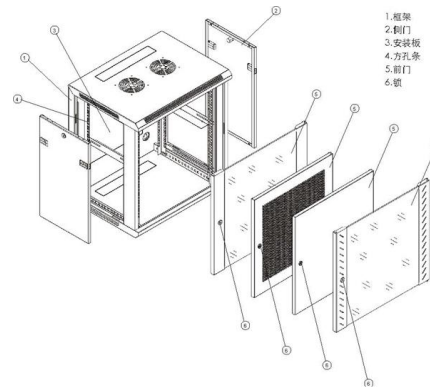
Telecom Fibre Router Setup, Unicom fibre router setup

Enter the Filter tab in the Broadband router Setup interface, we can filter the source and address of the datagram, including IP address, URL information, MAC address and regional information.



Internet Providers in Norway: A Comprehensive Guide

Key Takeaways Norway offers a range of Internet services including DSL, cable, and fiber-optic. Essential factors to consider when choosing a



Oppsett av ruter eller forsterker

Her finner du en fullstendig steg-for-steg veiledning og hjelp til oppsett og installasjon av ruter, forsterker og dine enheter. Sammen skal vi sørge for at du får et optimalt





How to Install Fiber Optic Internet: Easy Setup Guide

Whether you're a tech-savvy individual or a complete newcomer to fiber optic technology, this guide will provide you with the information and



Broadband Router User Guide

Open an Internet browser and enter the Broadband Router's IP address. The following is the default IP address of the Broadband Router: After the connection is established, you will see the router's Web

Contact Us

For datasheets, pricing, or custom telecom energy solutions, please visit:
<https://www.koskolong.co.za>