



Adam Tas Corridor Energy

ODF fiber optic patch panel dimensions





ODF fiber optic patch panel dimensions

FibrePlus Optical Patch Panel

PRODUCT PACKAGING o Panels are individually boxed complete with the internal cable management kit as standard.



What is Optical Distribution Frame ODF?

What is ODF? ODF, also known as optical distribution frame or fiber optic patch panel, is a critical device used in optical communication for managing



SC vs LC Patch Cords: Key Differences & Uses

Fiber optic patch cords are short-length cables (typically 1-10 meters) with connectors on both ends, used to link network devices like switches, routers, transceivers, and ODFs (Optical

Fiber Patch Panel vs ODF : What's the Differences

Fiber patch panel is primarily used for connecting and managing fiber optic lines and is commonly



used in local networks and data centers. ODF goes



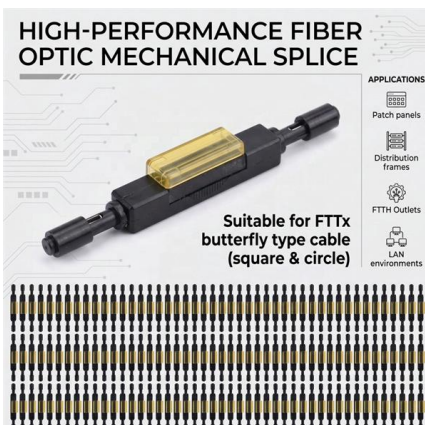
Fiber Optic Patch Panel , ODF Optical Distribution

Streamline your fiber connectivity with our premium Fiber Optic Patch Panels and ODF systems. Designed for reliability and ease of use, our rack-mount and wall



Optical distribution frames and patch panels

Supporting more fiber with lower cost and higher flexibility, Technetix offers a variety of wall, floor and rack-mounted optical distribution frames (ODF) and patch panels.



Fiber Optic Patch Panel & ODF , 1U/2U/4U Rack & Wall Mount

View our full range of Fiber Optic Patch Panels to browse available configurations, including Rack Mount, Wall Mount, and High-Density ODF solutions.



FS ODF-SC24-WPA Datasheet , FS

ODF series indoor optical fiber distribution box is used in the terminal access link of FTTH system, It is a device that splices, distributes, and splits optical fibers and provides protection and management



10" Fiber Optic Patch Panel 12 Port SC Simplex blue 1U grey

This patch panel by Delock is equipped with twelve SC Simplex fiber optic couplers and is suitable for installation in a 10" network cabinet. With the SC Simplex couplers, fiber optic male connectors can

2U 19 Inch Fiber Optic Patch Panel 24 48 72 96 Port ODF Rack

Model Number Fiber Patch Panel Brand Name YOFC Place of Origin Hubei, China Warranty Time 1 Frequency Range 1310nm / 1550nm Rack Unit (U) 2U (Standard 19") Material Cold Rolled Steel



Optical distribution frames and patch panels

A range of single-unit frame and panel solutions for fiber splicing, adapters, connectors and multi-facility cable interconnections that protect fiber optic connections from damage.



Datasheet Fiber Optic Patch Panels UHD ORMP 1U and UHD ORMP 2U

The Fiber Optic Patch Panels UHD ORMP 1U and UHD ORMP 2U are pre-assembled according to customers' exact specifications to begin splicing right out of the carton, so the panels provide



ODF Patch Panel

The ODF panel is mainly used for interconnection between units within sites and fits in 19" standard racks also with metric mounting pattern. The ODF supports SC-cut out type of adaptors.

ODF vs. Fiber Patch Panel: Key Differences Explained

Discover the key differences between ODF and fiber patch panels to build efficient, scalable, and well-managed fiber optic networks.





ODF Module , High Quality ODF Module , Patch Panel

ODF (Optical Distribution Frame) rack mount patch panel ODU-L21 ultimate new design with the most advanced splice & patch system and cable management

New & Used Optic Fibre Equipment for sale. Tektronix

ADC Fiber Optic Patch Panel (SKU: 103246)
(103246) Item Dimensions - L X W X H -
19X16X4ADC TrueNet 1RU 96 Port Rack Mount
Sliding Tray Fibre Optic Patch Panel Boost your networkâEUR(TM)s



DigitX Fiber Optic Patch Panel DIN Rail

No customer reviews Product Summary: DigitX Fiber Optic Patch Panel DIN Rail - 8 LC Duplex Singlemode Adaptor Plates From DigitX

12LC Quad Din-rail Mount Fiber Patch Panel from China Factory

12LC Quad Din-rail Mount Fiber Patch Panel Overview E-link 24-port industrial din-rail mount patch panels are designed for either to support direct termination or fusion splicing of the fibers. The



Optical Fiber , Optical Fiber Products , Corning

Optical fiber broadband brings together a culture of innovation, quality, and manufacturing excellence to create life-changing products.



PATCH PANELS F I B E R N E T W O R K S

Product Overview XTND Connect Fiber Patch Panels are designed to provide seamless and efficient access to internal components. Engineered with a low-friction telescopic rail system, these patch



Optical Distribution Frame (ODF): What It Is, How It Works, and Why It

An Optical Distribution Frame (ODF), also known as a fiber optic patch panel, is a specialized hardware unit that centralizes fiber optic cable connections. Acting as a "traffic hub" for light signals, an ODF:





Optical Distribution Frames/Patch Panel

Due to ETSI standards for rack cabinets, ODFs can have widths of 600, 900, 1200, and 1500 mm. However, generally, the need for a depth greater than 600 mm is rare. When planning an ODF, the



12 Core Duplex Ports LC Terminal Mounting Housing

We are a 12 Core Duplex Ports LC Terminal Mounting Housing Fiber Patch Panel Manufacturer. We supply fiber optic panels in competitive cost and short lead

Fiber Optic Color Code: The Ultimate TIA-598-C Guide

Master the TIA-598-C fiber optic color code standard. Read our complete guide and use our free interactive calculator to easily identify 1-144 core cables.



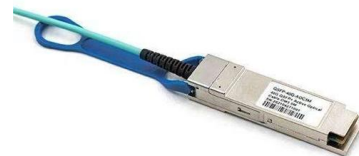
Optical Distribution Frames/Patch Panel

An optical Distribution Frame (ODF) or patch panel is the starting point for optical cables, most commonly found in rack cabinets in Head End (HE)/Central Office (CO)/Point of Presence



ODF Patch Panel

Description: ODF(Optical Distribution Frame) patch panels are designed to provide a high density 19" rack-mountable solution for next-generation fiber networks, it is



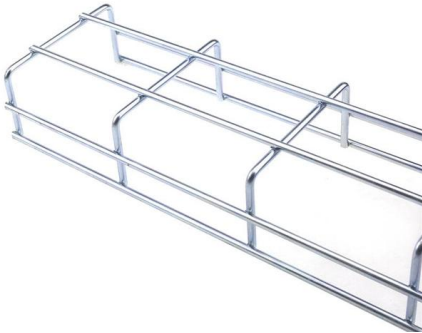
OPTICAL FIBER DISTRIBUTION FRAMES (ODF) AR-RODF-SO Series

CATALOGUE OF PICTURES Picture 5-1 Appearance of AR-RODF-SO series Optical Fibre Distribution Frames (ODF) Picture 5-2 Structure and dimensions of AR-RODF-SO series ODF (2.2 meter rack as

ODF & Patch Panel

Multi-function: Contains the functions of optical fiber terminal distribution, transfer and storage, with the advantage of big capacity, convenient for both operation and maintenance.





Fiber Optic Patch Panel & ODF , 1U/2U/4U Rack & Wall Mount

Professional fiber optic patch panels (ODF) for FTTH & data centers. High-density solutions available in rack mount, wall mount, and sliding configurations. Support for SC, LC, and

NC13-ODF4USC13X HIGH-DENSITY OPTICAL DI

Norden ODF (Optical Distribution Frame) rack mount patch panel is compatible with the most advanced splice & patch system and cable management ever developed for high-density applications on carrier



Contact Us

For datasheets, pricing, or custom telecom energy solutions, please visit:
<https://www.koskolong.co.za>