



**Adam Tas Corridor Energy**

# **OLT pigtail connector**





## OLT pigtail connector

---



### Fiber Optic Pigtail: The Complete Guide to Types, Splicing Methods

Confused about fiber optic pigtails--which connector type, which polish, fusion or mechanical splice? Our guide covers LC vs SC, APC vs UPC, splicing methods, and real-world use

### Basic Knowledge About Optical Line Terminal (OLT)

Basic Knowledge About Optical Line Terminal (OLT) With increasingly advanced and matured technologies in telecommunication network, Fiber to the Home (FTTH) has drawn much



### Fiber Pigtail Kits

Pigtail kits shall be individually packaged with part numbers, descriptions, optical performance, and code 39 barcodes. Additionally, QR codes shall be provided to access supporting documentation.



### How Do You Replace a Pigtail Connector: A Step-by-Step Guide

In this step-by-step guide, we will explore the process of replacing a pigtail connector. Whether you are a DIY enthusiast or someone facing an



electrical issue, understanding how to



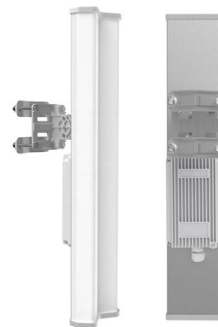
### **Amazon : 1.5m (5ft) LC-UPC 6 Strand Single Mode 9/125 Fiber**

The 1.5M 6 Strand Singlemode LC/UPC Fiber Optic Pigtail Cable is designed for seamless fusion splicing inside fiber optic enclosures, making it ideal for connecting a variety of devices.



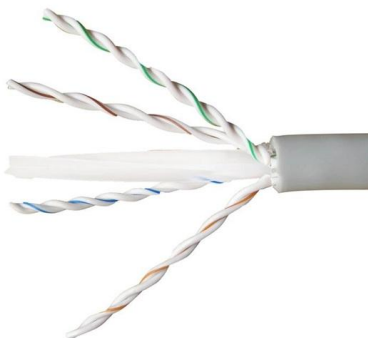
### **What Is a Pigtail Connector? Types and Applications , CZT**

Learn what a pigtail connector is, explore electrical and fiber optic pigtail types, pigtailling outlets, pigtail splicing techniques, and how to choose the right one for your project.



### **METZ CONNECT , LWL Pigtails**

LWL-Pigtails führen wir in der Länge von 2,0 m in den Fasertypen OS2 (Singlemode) und OM1 bis OM5 (Multimode) mit allen gängigen Steckertypen.





## Fiber optic pigtaills

We carry FO pigtaills with a length of 2.0 m in the fiber types OS2 (singlemode) and OM1 to OM5 (multimode) with all common connector types.



## Optical Line Terminals Selection Guide: Types, Features

Optical line terminals, also called optical line terminations (OLTs), serve as endpoints for passive optical networks (PONs). They convert electrical signals from

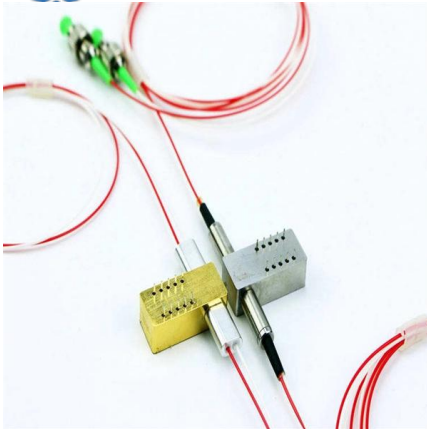
## About FindPigtails

Welcome to FindPigtails , a cutting-edge portal dedicated to making your search for automobile connectors easier. We specialize in offering a wide variety of



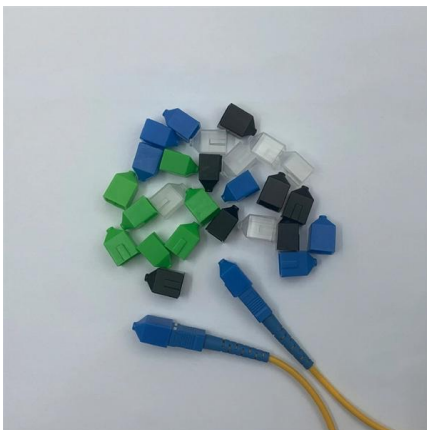
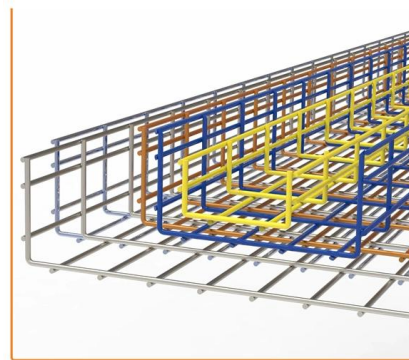
## Fiber Optic Pigtails

OCC's fiber optic pigtail assemblies are designed for reliability and performance. All OCC pigtail assemblies may be ordered pre-terminated in any OCC rack or wall



### Fiber Pigtail Kits

Connector durability shall be of greater than 500 matings for both multimode and single-mode. Pigtail kits shall be available with 900-micron tight buffer LSZH coating and 250-micron coated fiber.

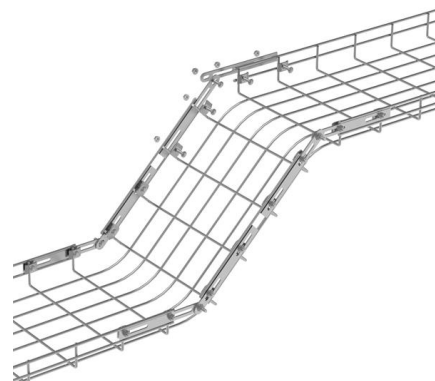


### What is a Pigtail Connector? A Complete Guide

Learn about pigtail connectors--short wires with a connector on one end--used to safely and efficiently join, extend, or repair electrical circuits.

### Fiber Optic Pigtails , SC, LC, ST Single Mode & Multimode

High-quality fiber optic pigtails for terminating and splicing in any network environment. We stock a wide variety of pigtail fiber types, including single mode





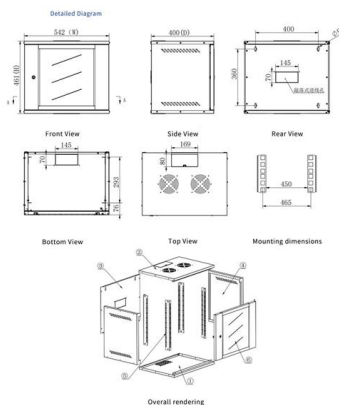
## What Is a Pigtail Connector: Types, Uses & Guide

Learn what a pigtail connector is, its types, uses, and benefits. Explore industries, installation tips, and how to choose the right solution.



## Amazon : 2PCS Alternator Connector Plug Replacement,3-Pin

Old bad connectors let water into the connection. This alternator pigtail connector uses a tight-fitting seal around each wire and the plug body. Water, mud, and dust stay outside where they belong Other



## Fiber Optic Pigtail Factory , Standard Types in Bulk

As your trusted fiber optic pigtail factory, OTRANS focuses on standardized production to ensure consistent quality and reliable performance. Our bulk supply

## Optical line termination

An optical line termination (OLT), also called an optical line terminal, is a device which serves as the service provider endpoint of a passive optical network.



### Fiber optic pigtails / OpDAT pigtail LC-PC, OM3

We carry FO pigtails with a length of 2.0 m in the fiber types OS2 (singlemode) and OM1 to OM5 (multimode) with all common connector types.



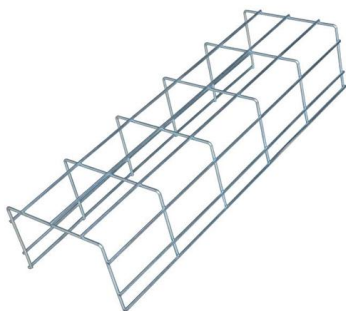
### All You Need To Know About OLT Equipment

The length of the pigtail should be measured (optical jumper is provided by the manufacturer, the power cord is provided by the manufacturer,



### Pigtail Connectors: Definition, Types, Applications

It is not only a bridge for optical signal transmission, but also a core element to ensure network stability and efficiency. This article will focus on pigtail connectors, from its definition, types,





## What Is Fiber Optic Pigtail and How to Splice It?

By Fiber Count Fiber optic pigtails could have 1, 2, 4, 6, 8, 12, 24 and 48 strand fiber counts. Simplex fiber optic pigtail has one fiber and a connector on



## Guide to Optical Line Terminal (OLT) Classifications:

Explore the different classifications of OLT equipment, understanding each type's unique functions and applications. Read this article to find the best

## Guide to Optical Line Terminal (OLT) Classifications: Detailed Types

Explore the different classifications of OLT equipment, understanding each type's unique functions and applications. Read this article to find the best solution for your network needs.



## What is OLT (Optical Line Terminal)? Types, Features

The full form of OLT is optical line terminal, which is a device used to connect the optical fiber and transfer signals. It's an important part of PON in FTTx.



## What Is A Fiber Optic Pigtail

A fiber optic pigtail is a short segment of optical fiber cable (typically 0.5-3 meters, though custom lengths reach 10 meters) that is factory-terminated



## What is the OLT?

The OLT hardware usually consists of three major parts: backplane, main control board, and single boards. The backplane is mainly used to connect



## Contact Us

For datasheets, pricing, or custom telecom energy solutions, please visit:  
<https://www.koskolong.co.za>