



Adam Tas Corridor Energy

Om3 fiber optic backward compatibility



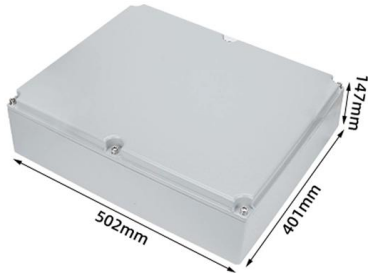


Overview

This means that existing OM3 infrastructure can support OM5 cabling without the need for a complete overhaul. However, in order to take advantage of the full capabilities of OM5, it is recommended to use OM5 compatible components. Typically, OM3 fiber is used for 10G Ethernet and can make connections up to 220 meters long. While it shares the same core size and is backward-compatible with OM3 and OM4, its key innovation is support for Shortwave Wavelength Division Multiplexing (SWDM).



Om3 fiber optic backward compatibility



OM5 Multimode Duplex Fiber Patch Cable - Custom Length,

OM5 fiber is backward compatible with legacy multimode applications at both 850nm and 1300nm. However, its main advantage lies in the 850-950nm range, where it supports SWDM technology,

Optical Fiber Types & Standards , G652D, G657A2,

This guide explains different optical fiber types including G652, G657, and OM1-OM4. Learn how to choose the right fiber optic cable for telecom,



OM5 LC/LC UPC Duplex Multimode Fiber Optic Patch Cable -

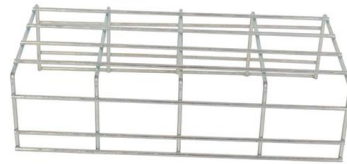
Shop OM5 LC/LC UPC LSZH/OFNR dual-rated multimode fiber optic patch cables in lime green. Supports 10G to 400G networking, SWDM-ready, backward compatible with OM4/OM3, ideal for

OM3 vs OM4 Multimode Fiber: What's the difference?

For OM3 and OM4 compatibility, OM4 fiber is completely backwards compatible with OM3 fiber



since they have the same core diameter.
However,



Is OM5 backwards compatible with OM3?

Yes, OM5 is backwards compatible with OM3. This means that existing OM3 infrastructure can support OM5 cabling without the need for a complete overhaul. However, in order

Cable Matters 40Gb OFNP Plenum Rated Multimode Duplex 50/125 OM3 Fiber

It offers interoperability and backwards compatibility with OM3 and OM4 50 micron fiber systems. Protect your network against macro-bend losses that are difficult to isolate, troubleshoot, and repair.



cablehub

Hier sollte eine Beschreibung angezeigt werden, diese Seite lässt dies jedoch nicht zu.



Belkin Fiber Optic Cable, 10GB/100GB Aqua Multimode LC/LC

Establish high-speed data connections within your local network using the Belkin 10GB/100GB Multimode 50/125 LC/LC Fiber Optic Patch Cable. The multimode patch cable is backwards



TN_OM3, OM4, OM5 Distance and Speeds

It also supports 40G and 100G Ethernet using parallel optics over the same distance. Parallel optics are backward-compatible with existing multi-mode fibre infrastructure, allowing organisations to upgrade

Fibre Channel

Fibre Channel typically runs on optical fiber cables within and between data centers, but can also run on copper cabling. Supported data rates include 1, 2, 4, 8,



Fiber-Optic Cable , McMaster-Carr

Choose from our selection of fiber-optic cords, fiber-optic cable, DIN-rail mount ethernet switches, and more. Same and Next Day Delivery.



FCD

FCD - 2M OM4 LC LC Fiber Optic Cable , Green
100Gb LSZH Duplex 50/125 LC to LC Multimode
Jumper 2 Meter (6.56ft) , Backwards Compatible
to OM3/OM2 ,

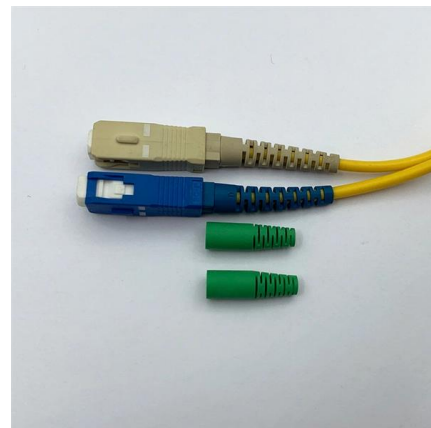


Multimode Fiber Differences: OM1 vs OM2 vs OM3 vs

Generally, newer multimode fibers like OM3, OM4, and OM5 can be backward compatible with older fibers such as OM1 and OM2. However, to

OM3 50/125 Multimode Fiber Optic Patch Cable

OM3 multimode patch cables for use in 10-Gbps applications. Uses laser-optimized multimode fiber (LOMMF). 10Gbase-SR and 10Gbase-LRM compliant for use with SFP+ transceivers. Supports data





12 core multi mode fiber optic cable

Backward Compatibility: Newer grades (OM3, OM4, OM5) are backward compatible with older multimode fibers, enabling gradual upgrades without full infrastructure replacement.

Understanding the 12 Strand Multimode Fiber Optic Cable: A

This backwards compatibility ensures that integrating 12 strand multimode fibers into existing systems is typically straightforward. By integrating 12 strand multimode fiber optics into their



Multimode Fiber Guide: Differences Between OM1,

Advantages: Backward compatible with OM3, but doubles reach for 10/40/100G Ethernet.
Limitations: Higher cost than OM3, but now standard in

EATON TRIPP LITE SERIES 40/100/400G MULTIMODE 50/125 OM3 FIBER OPTIC

This multimode 50/125 OM3 cable is an ideal choice for 400 Gb Ethernet applications up to 100 meters (328 feet) at 850 nm. It is also backward compatible with 10 Gb, 25 Gb, 40 Gb and 100 Gb networks,



A Technical Comparison Of OM1, OM2, OM3, OM4, And

While it shares the same core size and is backward-compatible with OM3 and OM4, its key innovation is support for Shortwave Wavelength Division Multiplexing



FAQ Cable Assemblies

OM3 and OM4 LOMMF are designed for Ethernet of 10GB/s where OM3 can support this bandwidth up to 300 meters and OM4 up to 550 meters. OM3 is backwards compatible to OM2 and OM4 is



Fiber Optic Cables, Patch Panels & Networking Products

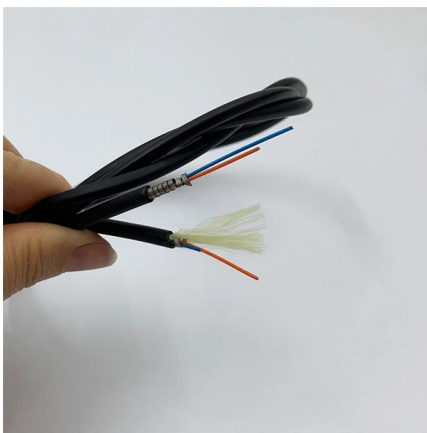
Shop high-quality fiber optic cables, patch panels, adapters & networking solutions. Fast US shipping, bulk pricing, and reliable performance.





Tripp Lite Duplex Multimode 50/125 OM3 Fiber Patch

10Gb Duplex MMF 50/125 OM3 LSZH 10 ft. Fiber Patch Cable with LC/LC Connectors This genuine Tripp Lite N820-03M fiber optic cable is the ideal

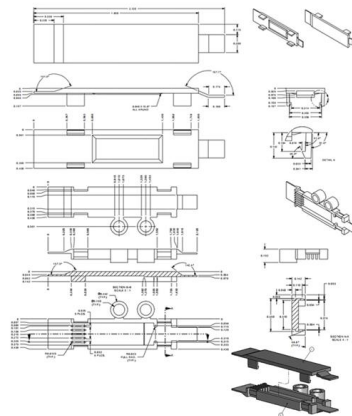


Multimode Fiber Types Explained: OM1 vs OM2 vs OM3

OM3 introduced the concept of laser-optimized MMF, designed specifically for high-speed data transmission using VCSELs. It supports multiple

Understanding OM3 Multimode Fiber: Advanced Guide

Explore our advanced guide on OM3 multimode fiber optic cables to understand the differences between OM1, OM2, and OM3, and find the best fiber



Product Catalog



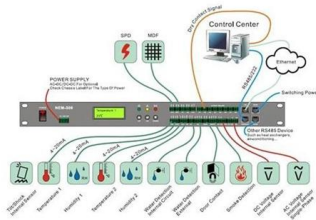
Detailed Introduction to OM1, OM2, OM3, OM4, and OM5 Multimode Fiber

OM1, OM2, OM3, OM4, and OM5 are all types of Multimode Fiber (MMF), mainly used for short-distance, high-speed optical transmission, suc



Fiber Optic Compatibility Guide , OM3 OM4 OM5 OS2, LC vs SC, SFP

Choosing the right fiber optic cable or transceiver can be confusing. This guide answers the most common compatibility questions to help you select the correct fiber patch cables, connectors, and



Fiber Optic Cable Types: Comprehensive Guide

Explore the different types of fiber optic cables and understand which type suits your specific needs for speed, distance, and durability.

Contact Us

For datasheets, pricing, or custom telecom energy solutions, please visit:
<https://www.koskolong.co.za>