



Adam Tas Corridor Energy

Oman Project Quotation OLT Optical Line Terminal 2 5G





Oman Project Quotation OLT Optical Line Terminal 2 5G



Optical line terminals

Our SDX 6000 Series of software-defined optical line terminals (OLTs) consists of open and disaggregated access devices that support a broad range of PON

What is OLT and Why is it Important in Fiber Networks

What is Optical Line Terminal (OLT)? An OLT is the main device in fiber networks, converting signals and managing data for fast, stable internet



Exploring the Functions of GPON OLT and ONT in

Learn about the functions of GPON OLT and ONT in an optical line terminal network. Explore the roles they play in a gigabit passive optical network.

Optical Line Terminal (OLT) Equipment Market Size & Forecast

The Optical Line Terminal (OLT) Equipment Market is a pivotal segment of the



telecommunications industry, primarily focused on fiber optic networks. An OLT serves as a critical endpoint in a passive



OLT Devices, High-Quality Optical Line Terminals

Explore our range of high-quality GPON, EPON, and XG(S)PON OLT products. Find the perfect Optical Line Terminal solutions for your network needs.

GPON , United Telecoms Limited

Optical Line Terminals UTL GPON OLT is carrier grade, which is suitable for Telecom Operators. Structured optical fiber from UTL OLT eliminates clutter of



What Is an OLT? , Definition, Function & Role in GPON Networks 2025

Introduction - Why OLT Matters in Modern Fiber Networks In the age of fiber-to-the-home (FTTH) and ultra-broadband connectivity, the Optical Line Terminal - or OLT - is one of the most



What are OLT, ONU, ONT and ODN in PON?

The OLT communicates with the optical network unit (ONU) or optical network terminal (ONT) at the user end, coordinating the distribution of data and



Defining OLT: Optical Line Terminal

An Optical Line Terminal (OLT) is a fundamental element within optical communication networks, serving as a hub that facilitates the transmission and reception of data, voice, and video services to

How Optical Line Terminals (OLTs) Are Revolutionizing High-Speed

An Optical Line Terminal (OLT) is a high-capacity device that serves as the central hub of a Passive Optical Network (PON). Positioned in a service provider's data center or central office, the



Optical Line Terminal: Key to Modern Fiber Networks

Discover how an Optical Line Terminal supports high-speed fiber optic communication in modern broadband networks. Learn its role today!



OLT in Telecommunications: A Comprehensive Guide

Introduction to OLT Definition and Role of OLT in Telecommunications Optical Line Terminal (OLT) is a critical component in telecommunications, particularly in Passive Optical



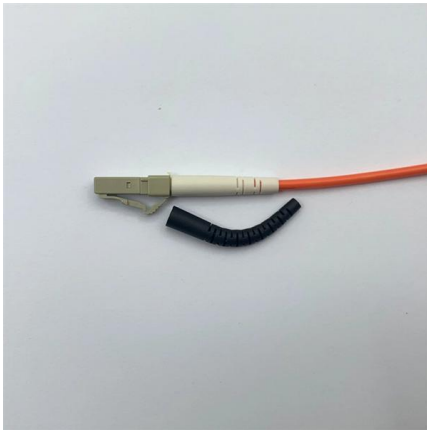
OLT (Optical line terminal) , G-PON (Gigabit passive

A gigabit passive optical network (G-PON) comprises optical line terminals (OLTs) and optical network units (ONUs), and Murata's lineup of products for use in

OLT (Optical line terminal)

The Optical Line Terminal (OLT) is a crucial component in the Passive Optical Network (PON) architecture, which is widely used for delivering



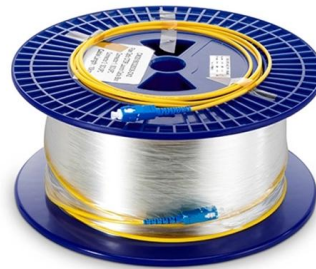


How to Choose OLT for Small, Medium, and Large ISP

Selecting the right Optical Line Terminal (OLT) is one of the most important decisions Internet Service Providers (ISPs) face when designing or

Optical Line Terminal (OLT)

Optical Line Terminal or optical line termination is a device that basically acts as a part of a passive optical network (PON). It is present in the central office of the



Guide to Optical Line Terminal (OLT) Classifications:

In modern communication networks, optical line terminal (OLT) is the core device to realize point-to-multipoint (P2MP) in passive optical network (PON)



Exploring the OLT (Optical Line Terminal)

Dive into the heart of fiber networks with our in-depth exploration of Optical Line Terminal (OLT). Uncover the crucial role it plays in revolutionizing high-speed data transmission and network



OLTs (Optical Line Terminals) , GPON , Global , Zyxel

Zyxel's GPON OLTs offer advanced signal processing for dense deployments. Upgrade to gigabit symmetric services today and prepare for tomorrow's



OLT Devices, High-Quality Optical Line Terminals

Explore our range of high-quality GPON, EPON, and XG (S)PON OLT products. Find the perfect Optical Line Terminal solutions for your network needs.



Optical Line Terminals Market Size, Share and Forecast 2031

Optical Line Terminals (OLTs) serve as the central control point in fiber optic networks, enabling efficient data transmission between service providers and end-users.





Read the Features Optical Line Terminal (OLT)

Learn about the optical line terminal (OLT): its features, applications, and importance in fiber optic networks. Explore high-speed data transmission and



OLT Cost Analysis: Comprehensive Guide to Optical Line Terminal

Explore the comprehensive cost analysis of Optical Line Terminal (OLT) technology, including benefits, features, and long-term value for network operators and service providers.

Optical Line Terminal (OLT) Equipment Market

The competitive landscape of the Optical Line Terminal (OLT) Equipment market is characterized by the presence of several key players who are actively engaged in developing innovative solutions to meet



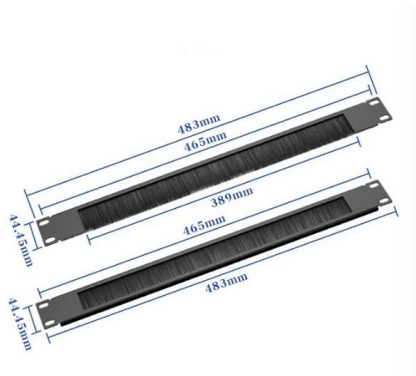
What is OLT (Optical Line Terminal)? Types, Features

The full form of OLT is optical line terminal, which is a device used to connect the optical fiber and transfer signals. It's an important part of PON in FTTx.



What Is an OLT? , Definition, Function & Role in GPON

Introduction - Why OLT Matters in Modern Fiber Networks In the age of fiber-to-the-home (FTTH) and ultra-broadband connectivity, the Optical Line



FS Community

Hier sollte eine Beschreibung angezeigt werden, diese Seite lässt dies jedoch nicht zu.

GPON OLT Market - Size, Share, Trends, Analysis

The GPON OLT (Gigabit Passive Optical Network Optical Line Terminal) market is a critical segment in the telecommunication industry. GPON OLT devices serve as

Motor protection controller





Optical Line Terminal Market Research Report 2033

The Optical Line Terminal market by component is segmented into chassis, line cards, control cards, power supply, and others. The chassis segment forms the backbone of OLT systems, providing the

Contact Us

For datasheets, pricing, or custom telecom energy solutions, please visit:
<https://www.koskolong.co.za>