



Adam Tas Corridor Energy

Optical junction box module





Optical junction box module

4-Port MMF MPO-to-LC Junction Box Industrial



MSU-M4I is a 12-Core MPO to 4x Duplex LC Multi-Mode Fiber Optical Junction Box designed for 850nm wavelength applications. The unit features a 12-Core

MR398-JB Fiber Optic Junction Boxes

MR398-JB series fiber optic junction boxes are designed to join two fiber optic cables and environmentally protect the connection. The junction boxes are designed to



4-Port MMF MPO-to-LC Junction Box Industrial

4-port multimode fiber junction box with ODVA MPO-12 to LC/UPC breakout. Industrial IP65 rated for 850nm. Low 0.8dB IL. Pole mount.

Fiber Optic Distribution Boxes (FDB) & ODF Supplier

OTRANS is a leading fiber optic distribution box manufacturer. We offer a wide range of 1-24 core



FDB boxes and ODF cabinets for indoor/outdoor FTTH deployment.



12 Cores Fiber Distribution Box, Optical Splitter Module

12Cores Fiber Distribution Box, Optical Splitter Module Junction Box Outdoor Pole Mounting Gray ABS for FTTH IP65 This ftth box terminates up to 2 fiber optic



WebiTelecomms Cabling

8 &12 Cores Fiber Optical Junction Box, Fiber Splitter Box

YFDB-12B Fiber Splitter Distribution Box Overview Fiber Splitter Distribution Box, also known as Fiber Optical Junction Box, provides fiber optic cable management



Fiber-Optic Splice Boxes|Products|NITTO KOGYO

Fiber-Optic Splice Boxes Splice boxes keep joints of fiber-optic cables safe from external stress and manage excess cable lengths. They are also referred to as



Subsea junction box , OneSubsea

Modular and self-contained, our subsea junction boxes are scalable in length to accommodate the desired number of connection points. Engineered to sit on the seabed without maintenance.

190X95X25mm

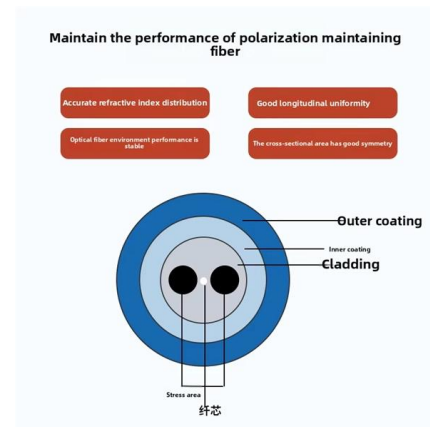


Best Practices for Optical Cable Junction Box Installation in 2025

Conclusion In conclusion, the installation of optical cable junction boxes in 2024 should embrace best practices to mitigate potential issues. By ensuring proper sealing, implementing effective cable

Solar Junction Boxes Solutions

J-boxes provide secure terminals for wiring, often include bypass diodes to protect against shading and hotspots, and ensure the panel operates safely and



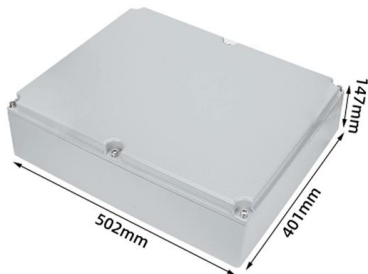
8 &12 Cores Fiber Optical Junction Box, Fiber Splitter Box

Fiber Splitter Distribution Box, also known as Fiber Optical Junction Box, provides fiber optic cable management for connection of distribution cables and drop



Fiber Optic Junction Box Suppliers, Manufacturer, Distributor

Alibaba offers 659 Fiber Optic Junction Box Suppliers, and Fiber Optic Junction Box Manufacturers, Distributors, Factories, Companies. There are 445 OEM, 396 ODM, 137 Self Patent. Find high quality



Solar Junction Box for PV Module Manufacturers , Targray

PV Junction Box Components for Solar Manufacturers Targray's portfolio of solar junction box products are a trusted source for photovoltaics manufacturers

AMPCOM Optical Fiber Terminal Boxes, Designed for

The fiber optic terminal box is designed for FTTx applications, accommodating at least 4-16 users. It provides ample space for splicing, splitting, storage, and cable



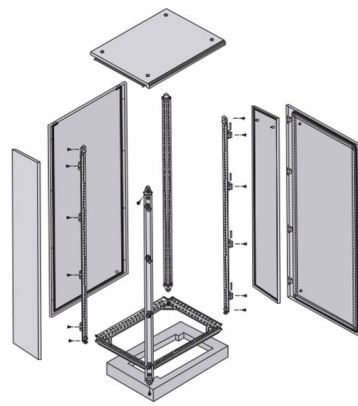


Junction Box for Solar Panel: Definition, How it Works,

What is a Junction Box for solar panels? Why is it important? Combiner Boxes, Pass-Through Boxes, and Half-Cut Cell Junction Boxes

Terminal and Junction Boxes (Ex e, Ex i, Ex op)

A wide selection of terminal types, cable glands, and accessories allows for full customization of terminal boxes and junction boxes according to specific project requirements in hazardous areas.



Fiber Optic Distribution Boxes (FDB) & ODF Supplier

Fiber distribution box is suitable for the wiring connection of optical cable and optical communication equipment, through the adapter in the wiring box, the optical

Fiber Terminal Box VS. Junction Box: What is the

Discover the key differences between fiber terminal boxes and junction boxes to choose the right solution for your network setup.



Distributors: Splice Boxes & Optical Network Terminal

Splice boxes and splice distributors are essential for a reliable fiber optic cabling system and serve as a connecting point between the fiber optic installation cable

Your Ultimate Guide to Sourcing Pv Module Junction Box

Unlock efficiency and reliability in solar projects with our comprehensive guide on PV module junction boxes, tailored for international B2B buyers.



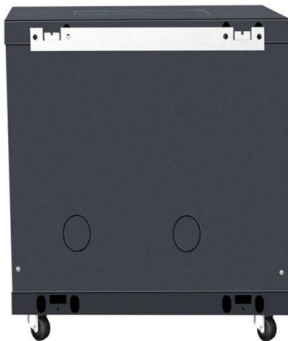
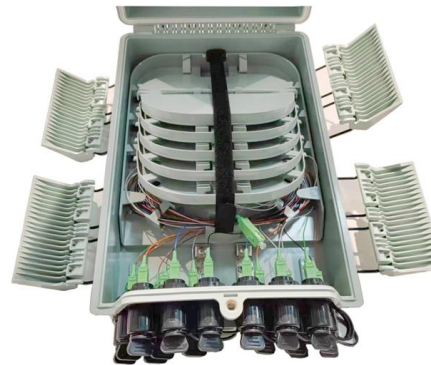
Fiber optic junction box, Fiber optic terminal box

Find your fiber optic junction box easily amongst the 67 products from the leading brands (HUBER+SUHNER, BOPLA, METZ CONNECT,) on DirectIndustry, the industry specialist for your



Glass Fibre Junction Boxes in JUNG Design

To ensure that the fibre optic connection blends harmoniously into the existing electrical installation, we offer the junction boxes in the design frames of the AS/A, CD and LS ranges.



Fiber Termination Box: Essential Component in Optical

Fiber termination boxes play a critical role in modern telecommunications infrastructure, serving as vital connection points in fiber optic

Fiber optic junction box, Fiber optic terminal box

Find your fiber optic junction box easily amongst the 67 products from the leading brands (HUBER+SUHNER, BOPLA, METZ CONNECT,) on DirectIndustry, the



48F Multi-operator Distribution Cabinet Box

Product Description Distribution Cabinet Box - The Multi-Operator cabinet is a grouping module for fusion, coupling and connection of up to 48 fibers. It is a



What Is an Optical Junction Box and Its Benefits?

What is an Optical Junction Box? An optical junction box is a vital component in fiber optic networks. It serves as a termination point for fiber optic cables, providing protection and



Contact Us

For datasheets, pricing, or custom telecom energy solutions, please visit:
<https://www.koskolong.co.za>