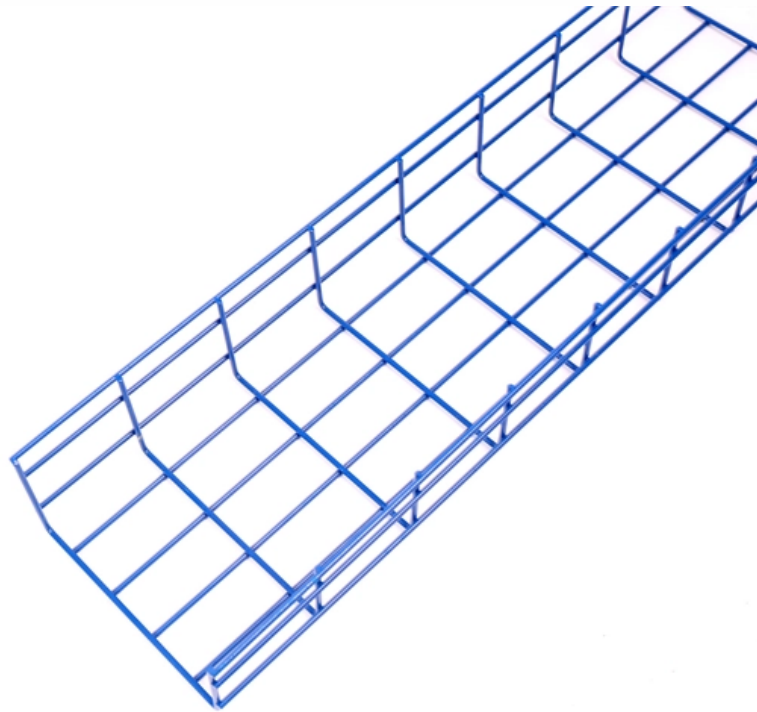




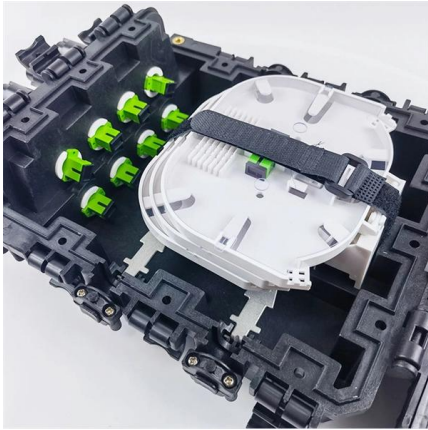
Adam Tas Corridor Energy

PE communication optical cable for sale





PE communication optical cable for sale

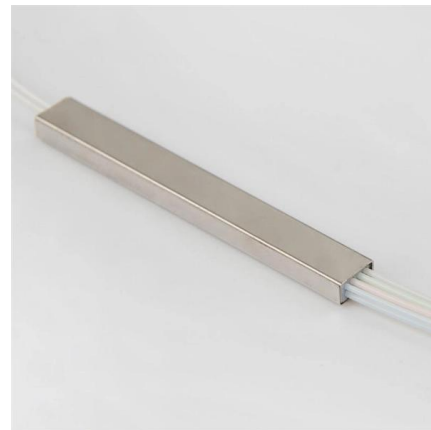


BENDABLE CORRUGATED PE PIPES IN COILS FOR

Description: Double-walled corrugated PE pipes for passing LV and MV (Low Voltage and Medium Voltage) and Optical Fiber cables, in 450 Newton rolls.

Outdoor Fiber Optic Cable , Outside Plant Fiber (OSP) Cable

Fiber optic cables for outdoor applications are engineered to withstand the more demanding conditions seen outside, from environmental extremes to mechanical forces. These are the outdoor fiber optic



PE Cables

Polyethylene cables are electrical or communication cables that use polyethylene as an essential component of their construction, either as an insulation material, sheathing material, or both.

Fiber optical cable pe

Discover premium quality fiber optical cable pe designed to enhance connectivity and performance. Ideal for business buyers seeking

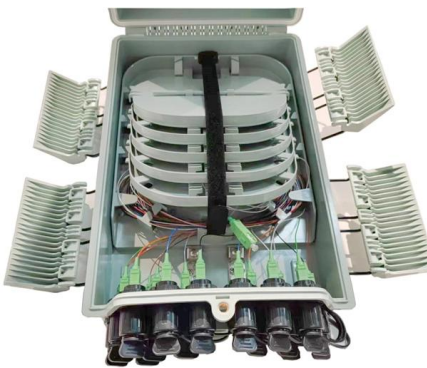


reliable solutions.



Fiber Optic Cables , Fiber Patch Cables , Patch Cords,

Fiber Patch Cables, Multimode & Singlemode Duplex Fiber Optic Cables, Secure Order Fiber Patch Cords, Preferred Mil. Edu. Gov. Pricing, Same Day Shipping



Fiber Optic Cable

Find here Fiber Optic Cable, OFC manufacturers, suppliers & exporters in India. Get contact details & address of companies manufacturing and



Polyethylene (PE) Fiber Optic Cables - Mouser

Polyethylene (PE) Fiber Optic Cables are available at Mouser Electronics. Mouser offers inventory, pricing, & datasheets for Polyethylene (PE) Fiber Optic Cables.



Polyethylene (PE) Fiber Optic Cables - Mouser

Mouser offers inventory, pricing, & datasheets for Polyethylene (PE) Fiber Optic Cables.

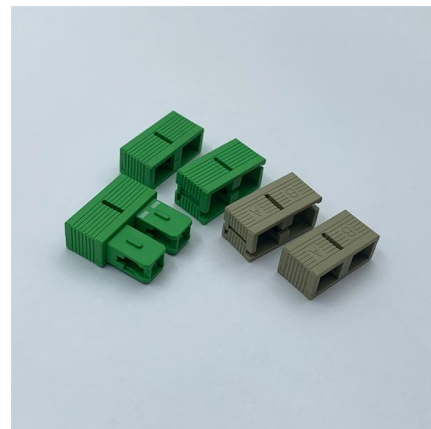


Buy Fiber Optic Cables & Accessories at EFB-Elektronik

With our high-quality fiber optic cables and products, you can achieve a professional and stable IT infrastructure. In our online shop you will find a comprehensive

Polyethylene (PE) Fiber Optic Cable Assemblies - Mouser

Polyethylene (PE) Fiber Optic Cable Assemblies are available at Mouser Electronics. Mouser offers inventory, pricing, & datasheets for Polyethylene (PE) Fiber Optic Cable Assemblies.



Fibre Optic Cable

Multiple Applications: Fibre optic technology is used in a variety of applications, including internet connections, telephone networks, cable television, data centres, medical equipment, and military



Product Catalogue Fibre Optic Cable

The single loose tube cables consist of 2 to 24, 250 µm optical fibres in a single gel filled loose tube with helically applied E-glass non-metallic strength members, ripcord and Polyethylene (PE) inner jacket.



HITRONIC® POF DUPLEX PE cable with PE twin buffered fibres,

HITRONIC® POF DUPLEX PE cable with PE twin buffered fibres, PUR outer sheath, non-metallic strain relief, cable colour orange; J-V2Y (ZN)11Y 2P980/1000. For direct connector assembly.

PerkinElmer , Science with Purpose

We believe in the power of science to transform our world. Together with scientists and operators worldwide, we empower progress by providing trusted insights and



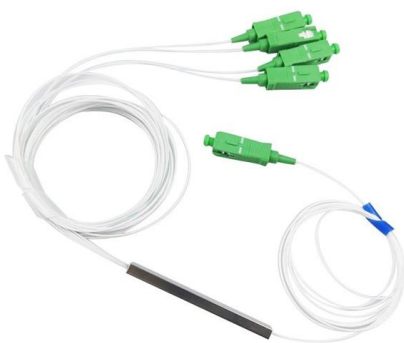


PE Cables , Polyethylene sheathed , Eland Cables

Global supplier of PE, MDPE and HDPE sheathed cables for external applications requiring abrasion resistance, oil & chemical resistance, and good water resistance properties. Technical support - Fast

Fiber Optic Cable

Fiber Cable Belden's extensive line of indoor and outdoor cable products is offered in tight buffer and loose tube designs. Armored, burial, and ruggedized designs are



Polyethylene (PE) Fiber Optic - Mouser

Polyethylene (PE) Fiber Optic are available at Mouser Electronics. Mouser offers inventory, pricing, & datasheets for Polyethylene (PE) Fiber Optic.

Fiber Optic Cable Inventory

Our program meets diverse fiber optic sourcing and fulfillment needs with over 200 SKUs of unique fiber optic cable types from leading



manufacturers, including



PE Cables

PE cables excel in electrical transmission with great electrical properties, durability, and resistance to moisture and chemicals due to their Polyethylene insulation.



Fiber Optic Cables

Fiber Optic Cables, Adaptors, & Accessories Our extensive offering of fiber optic cables, connectors, cassettes, enclosures, patch cords, cable assemblies, cable



HDPE Communication Duct

Meets ASTM F2160, Non-Pressure-rated Conduit. JM Eagle's high-density polyethylene communication duct pipe is suitable for telecom and fiber-optic, non





PE-89 Cable, Direct Burial Cable , Primus Cable

Foam insulated skin cable is another type of direct burial outdoor cable for installation underground or inside conduit. PE-89 outdoor cable is manufactured



PE

Fiber Savvy offers Direct Burial Polyethylene Fiber Optic Cable as your choice of your Fiber Optic cable installations. Available in Multimode or Singlemode of 10G.

Fiber Optic Cables

Fiber Optic Cables » Fiber optic outdoor cable, central loose tube, fiberglass yarns, PE, fully dielectric.



Fiber Optic Cables

CommScope designs and manufactures a comprehensive line of fiber optic cables--from outside plant to indoor/outdoor and fire-rated indoor fiber cables.



Amazon : Fiber Optic Cables: Electronics

Online shopping for Fiber Optic Cables from a great selection at Electronics Store.



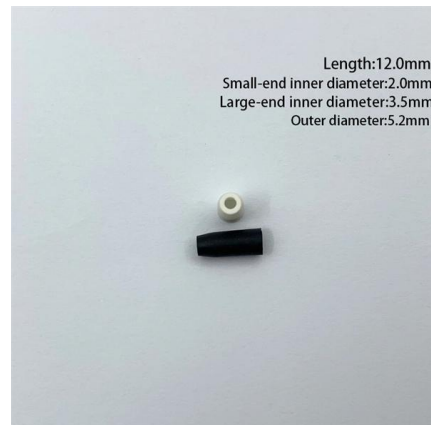
ADSS 2PE Sheath Fibre Optic Cable

Double sided PE sheath cable gives more excellent tensile strength, mechanical, rodent, ultraviolet and environmental protection. They come in larger delivery length, so can also be used in long distance



Fiber Optic Cable , Farnell® Germany

Buy Fiber Optic Cable. Farnell® Germany offers fast quotes, same day dispatch, fast delivery, wide inventory, datasheets & technical support.



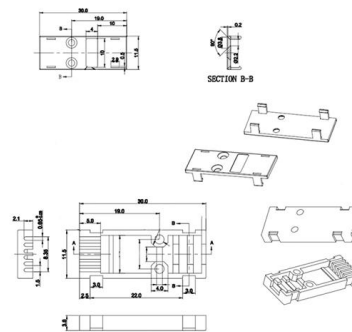


Buy Fibre Optic Cable Online , MSS Data Solutions

Browse Australia's best range of fibre optic cabling solutions, including Loose Tube, Indoor-Outdoor Riser, Tactical Distribution Cable, and Fire-Rated Cable.

Fiber Optic Cables , Corning

With 2 billion kilometers of fiber optic cables installed around the globe, Corning continues to lead the industry in product quality and innovation.



Contact Us

For datasheets, pricing, or custom telecom energy solutions, please visit:
<https://www.koskolong.co.za>