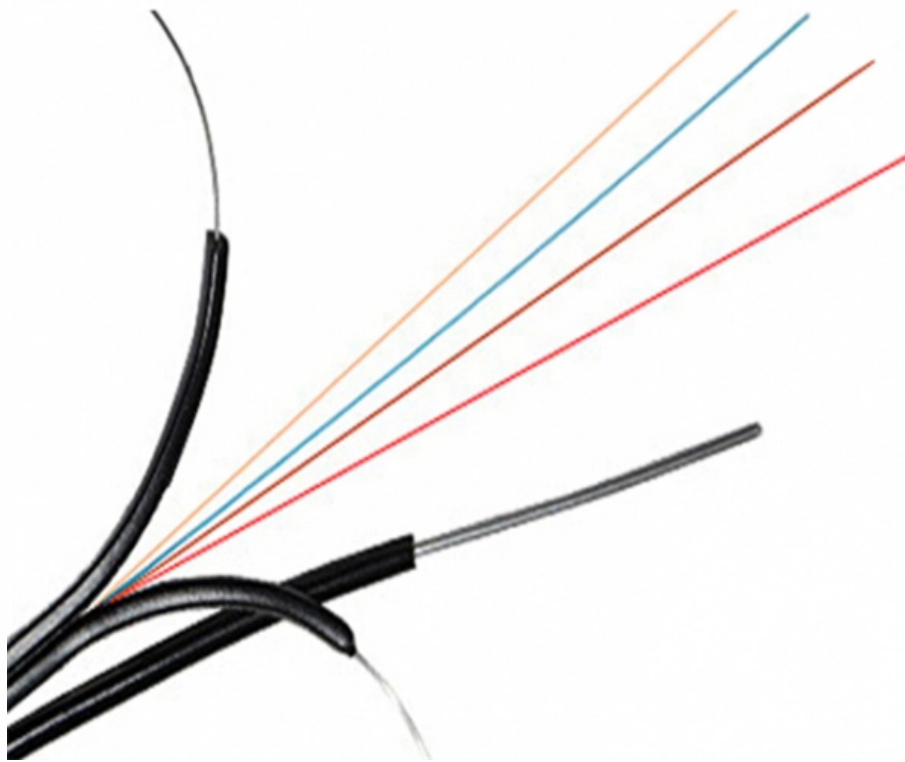




**Adam Tas Corridor Energy**

# **Pneumatic Fiber Optic Cable Delivery Stand**





## Pneumatic Fiber Optic Cable Delivery Stand

---



### Fiber-optic Cable Laying Stand

Guide Cable Drum Roller Fiber-optic Cable Laying Stand Cable Drum Roller Stands. Protect cable from friction, pull cable efficiently. Origin: CN. Weight: 35kgs.,

### The FOA Reference For Fiber Optics

All fiber optic applications are not the same. At the FOA, we're mainly concerned with communications fiber optics - telco, CATV, LAN, industrial, etc., but fiber optics



Active  
Optical  
Cable

### Amazon : C& E Armored 6 Strand Indoor/Outdoor Fiber Optic

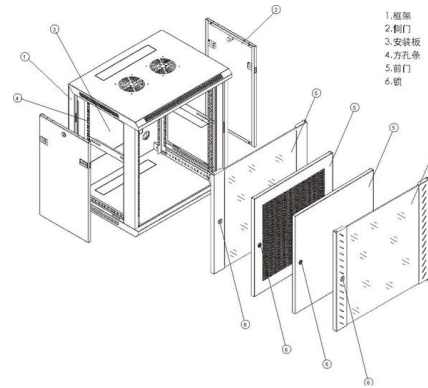
Buy C& E Armored 6 Strand Indoor/Outdoor Fiber Optic Distribution Cable, 10Gbit, OM3 50/125 Multimode, Corning Optical Fiber, Riser Rated, Black, Spool, 500 Foot: Optical - Amazon FREE

### Blocks, Brackets & Head Boards for Fiber Optic Cable

Blocks products including stringing quad blocks, pole mount frame for (stringing quad block),



insulator bracket, fiber optic cables anti-twisting devices.



### Beam Delivery Components QBH FIBER OPTIC CABLE

430 nm to 470 nm High-Power Beam Delivery  
 The QBH fiber optic cable is the no.1 fiber interface for industrial high-power lasers. It's a well proven standard compatible with most available tools world

### The FOA Reference For Fiber Optics-Installing Fiber

General Guidelines For Installing Fiber Optic Cable  
 Fiber optic cable may be installed indoors or outdoors using several different installation processes.



### 24 Strand Multimode Indoor Fiber Optic Cable

\*\*\*SHIPS WITHIN 4-5 BUSINESS DAYS o FOR CUSTOM LENGTHS CALL US AT 855-880-8010\*\*\*  
 24 Strand Fiber Count, Indoor Tight Buffered, Multimode,



## 101 Guidelines for Fiber Optic Cable Installation

A fiber optic cable should be tested three separate times during an installation: on the reel, the splicing test, and the final acceptance test. Extreme caution should



## Fiber Optic Cable

Providing you the best range of Gowin 1025 Hydraulic Fiber Optic Cable Blowing Machine Stand Type, FTTH Equipments, Gowin 1025 Cable Blowing Machine, Gowin 1020 Pneumatic Fiber Optic Cable



## Fiber Blowers & Cable Blowing Machines , Utility Pipe

Utility Pipe Supply provides contractors with fiber blowers and cable installation machines that simplify the placement of delicate fiber optic cables.

Various specifications optional



## Cable Blowing Machines

You can easily blow fiber cables into the HDPE pipes. For each cable blowing machine, if your cables are thin there is a machine with low



## LANCIER CABLE GmbH: Blowing-in-Systems

Conversion Kit for cable diameters of 6 - 10 mm (option) also with external recording C3 available  
\*external electronic C3 is not included Scope of Supply incl.



## Fiber-optic Cable Laying Stand

Protect cable from friction, pull cable efficiently.  
Origin: CN. Weight: 35kgs.,



## machines for fiber optical cable production

Nextrom is the leading global supplier of production technologies for optical fibers and fiber optic cables. We provide solutions and equipment for optical glass making, fiber drawing, fiber coating, ribbon



## Cable Blowing , General Machine Products Company

Designed to be safe, fast and effective, the Tornado Cable Blowing Machine installs fiber optic cable into pre-installed innerduct or direct buried innerduct. A conversion kit allows the Tornado to place either



### **High Linear Speed Fiber Pay-Off , Bartell Machinery**

This pay-off is suitable to accommodate 2-12 optic fibers in tandem with insulating process. A digitally set, low friction pneumatic preloaded dancer along with a speed reference to individual drives



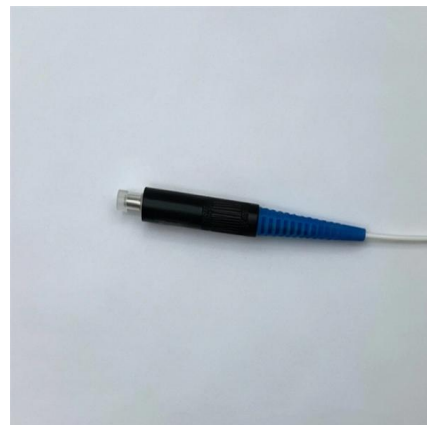
### **Fiber Optic Planetary Strander**

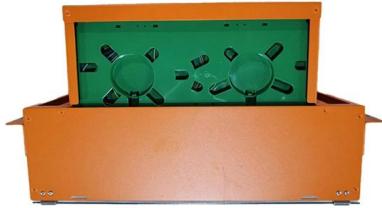
Fiber Optic Planetary Strander This specific strander has shaft pay off design suitable to assemble fiber optic elements (buffered tubes, ribbons). This strander is designed for the stranding of fiber optics



### **Fiber Cable Blowing Machines with modec's MT10 Air**

However, for the installation of fiber optic cables, a cable blowing machine becomes essential. This specialized equipment is employed to delicately propel the cables





## **Gulfstream 350 Pneumatic Blower , Condux , Utility Pipe**

Customizable Options: Compatible with multiple cable and duct packs to match job-specific requirements. The Gulfstream 350 Pneumatic Fiber Optic Cable Blower

## **Fiber Optic Cable Installation and Handling Instructions**

Introduction Fiber optic cables can be easily damaged if they are improperly handled or installed. It is imperative that certain procedures be followed in the handling of these cables to avoid damage



## **Fiber Optic Pedestals & Inserts**

The FieldSmart ® Fiber Delivery Point (FDP) Pedestal Insert product line incorporates the delivery of fiber connectivity to the neighborhood or business

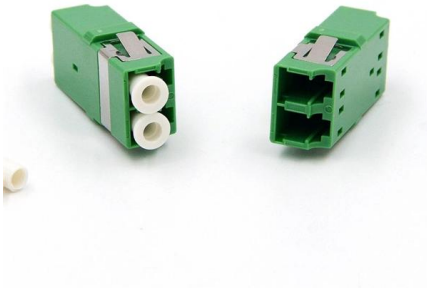
## **Fiber Optic Cable Inventory**

OmniCable's complete fiber optic inventory includes custom fiber optic cable cutting, expert kitting, and value-added technical support tailored to your



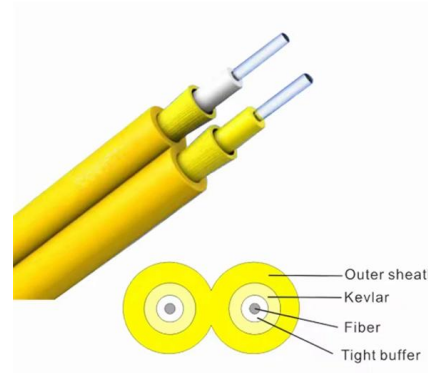
## Fiber Optic Networking, Made in USA , Primus Cable

Fiber Optic Products Made by the Most Respected Manufacturers in the US. With nearly 20 years of experience in the networking industry, we provide superior quality fiber optic products to complement



## Understanding the Installation Process for Fiber Optic

Fiber optic cable blowing machines have become an essential tool for telecommunication contractors and companies looking to install fiber optic cables



## Optical Fiber Cable Installation Guideline

While fiber optic cables are typically stronger than copper cables, it is still important that the cable maximum pulling tension not be exceeded during any phase of cable installation.



## Fiber Optic Cable Installation

From long haul to fiber-to-the-premises, Condux International has the equipment you need for successful fiber optic cable installation. Whether it's fiber optic cable pulling or blowing, count on



Network Cabinet & Rack

## FiberTronix D Fiber Optic Cables & Tools , NACE

Product lines include fiber optic cable and jumpers, transmitters, receivers and baseband video transmission kits. With growing demand for higher bandwidth video transmission, we created

## The FOA Reference For Fiber Optics -Outside Plant

Aerial Cable Installation Aerial Cable Installation Deploying fiber above ground on poles or towers removes the need for underground digging and is particularly



### **Portable 120Kg A Frame Cable Drum Stand**

Wheeled Heavy Duty A Frame Cable Roller Stand. Next day delivery, anywhere in Australia. Ideal for moving heavy wire drums around on site.

## **Contact Us**

---

For datasheets, pricing, or custom telecom energy solutions, please visit:  
<https://www.koskolong.co.za>