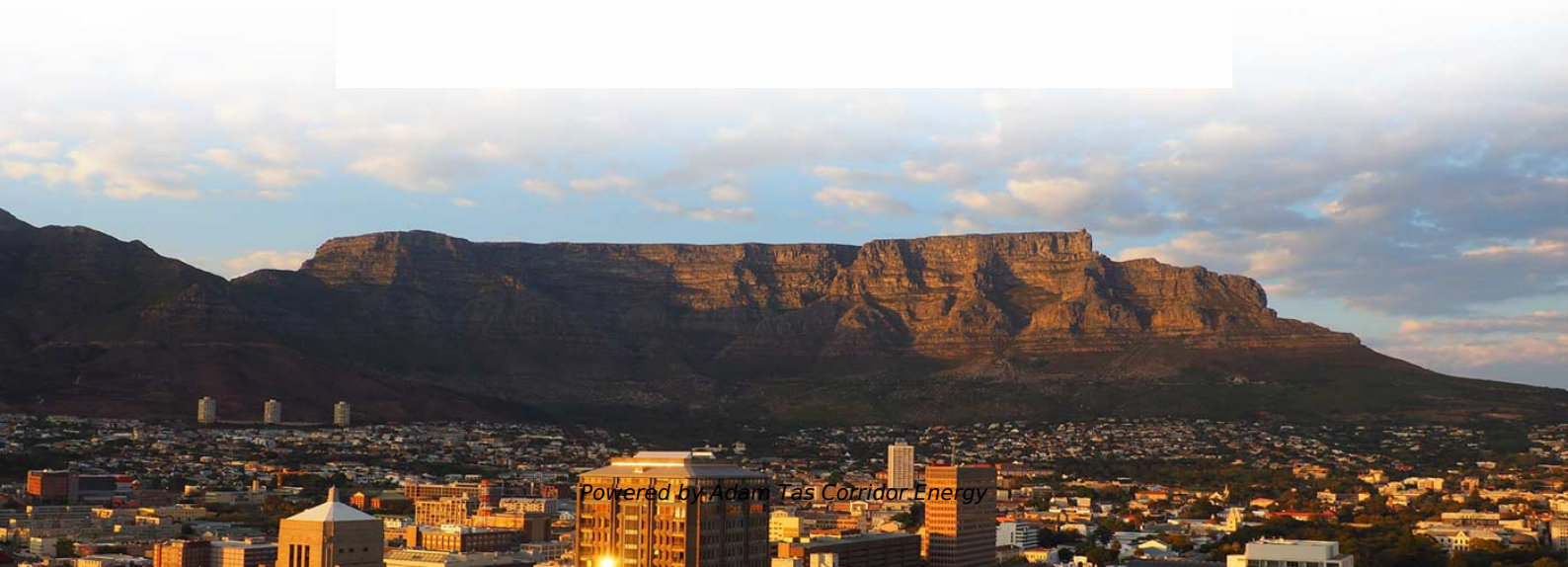
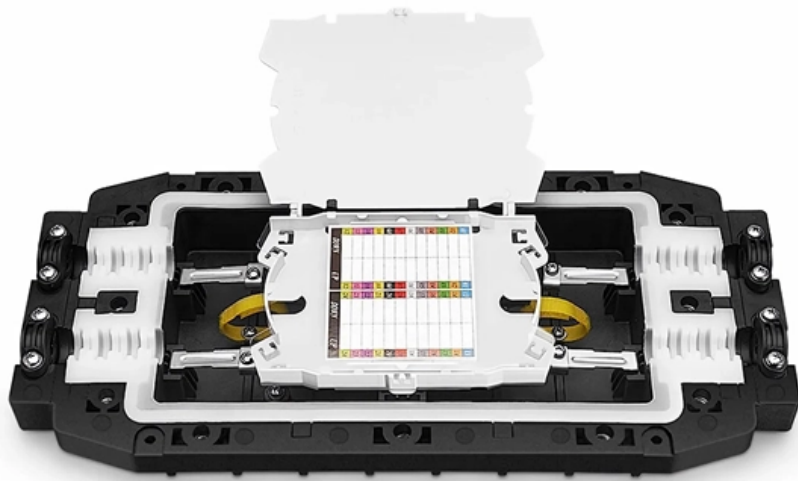




Adam Tas Corridor Energy

Price of Low-Voltage Complete Sets of Equipment in Afghanistan





Price of Low-Voltage Complete Sets of Equipment in Afghanistan

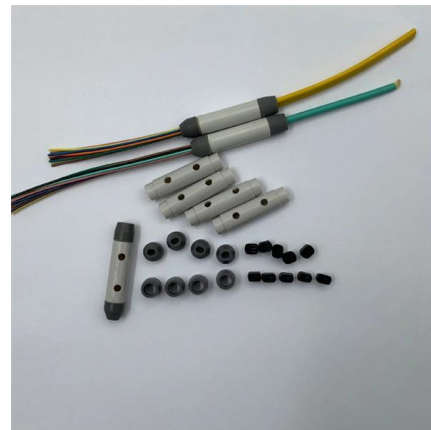


northkimit

Discover North Kimit ICT Services for comprehensive ICT and procurement solutions in Afghanistan--design, installation, and support.

List of Electrical equipment in Afghanistan

Compare the best companies in Electrical equipment category. Buy complete list of 17 Electrical equipment in Afghanistan.



Low-voltage Protection Equipment Afghanistan

Find the latest exports, imports and tariffs for Low-voltage Protection Equipment trade in Afghanistan.

High Voltage Complete Set of Low Resistance

High Voltage Complete Set of Low Resistance Grounding Device with Oil Type or Dry Type



Grounding Transformer, Find Details and Price about Grounding



Afghanistan Electric Transmission and Distribution Equipment Market

Historical Data and Forecast of Afghanistan Electric Transmission and Distribution Equipment Market Revenues & Volume By Low Voltage (<1 kV) for the Period 2021-2031

GGD Low Voltage Fixed Complete-set Switchgear

The GGD Low Voltage Fixed Complete-set Switchgear Equipment(Abbreviation as Switchgear)is for the purpose of power distribution



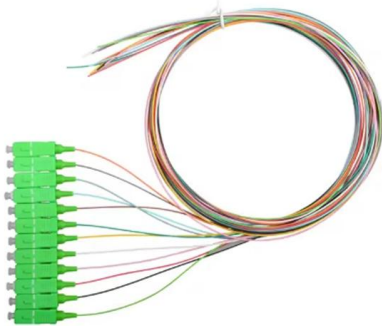
Power transmission in Afghanistan: Challenges, opportunities and

The power transmission system of Afghanistan is witnessing a significant shortage in terms of capacity, reliability, flexibility, and energy security. The goal of this paper was to identify and examine



Technical and Economic Analysis of an HVDC

A techno-economic analysis of this HVDC against high-voltage alternating current (HVAC) technology was performed to determine the suitability



Afghanistan Low Voltage Protection Control Market (2025-2031)

Afghanistan Low Voltage Protection Control Industry Life Cycle Historical Data and Forecast of Afghanistan Low Voltage Protection Control Market Revenues & Volume By Product Type for the

Pre-Terminated Patch Panel

- Standard 19" width
- Max 144 fibers in 1U
- MPO/Fusion Dual-Purpose



Removable Cable Management Tray



Transparent Front Cover



High-Quality Matte Coated Steel

Power transmission in Afghanistan: Challenges, opportunities and

Without skilled personnel, identifying the root causes of transmission problems, such as voltage drops, line faults, or equipment failures, becomes difficult. This can result in prolonged outages, increased



Low-Voltage Distribution Cabinet Complete Set of Electrical Equipment

Drawer Low Voltage Distribution Cabinet Complete Electrical Equipment Control Cabinet Low Voltage Switchgear Overview It is used for motor centralized control and capacitance compensation of power



Pre-Terminated Patch Panel

- Standard 19" width
- Max 144 fibers in 1U
- MPO/Fusion Dual-Purpose



Removable Cable Management Tray



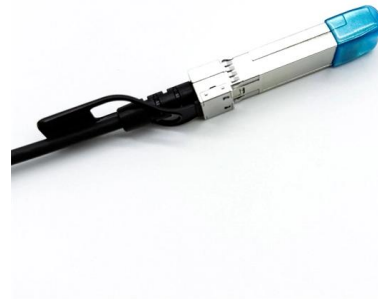
Transparent Front Cover



High-Quality Matte Coated Steel

Low-voltage Protection Equipment in Afghanistan

The fastest growing export markets for Low-voltage Protection Equipment of Afghanistan between 2021 and 2022 were Turkey (\$31k), Canada (\$22.3k), and Senegal (\$11.8k). Imports In 2022, Afghanistan



Institutional Development for Energy in Afghanistan (IDEA) Programme

New Energy Sector Coordination Structure of Afghanistan Electricity generation by source Current Power System and expansion plans ASERD Future Electrification Plan 2017 - 2021 Electricity tariff

HV/LV Complete Electrical Equipment

This solution covers a complete set of power equipment from low-voltage distribution cabinets, high-voltage switchgear to transformers, automation control systems, etc., aiming to provide





Low Voltage Distribution Equipment

Low Voltage Distribution Equipment Low-voltage distribution equipment (LVDE) encompasses the devices (e.g., molded case circuit breakers, panelboards and

Afghanistan Low Voltage Protection and Control Market (2024-2030)

Afghanistan Low Voltage Protection and Control Market is expected to grow during 2024-2030



Afghanistan Value Chain - Livestock (AVC-Livestock)

Issue Date: July 14, 2022 WARNING: Prospective Offerors who have received this document from a source other than DAI/AVC-Livestock Project should immediately contact AVCLbids@dai and

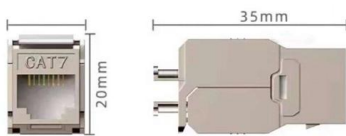
Request For Quotation

for two years IP:55 Complete Technical protection System (Over voltage when receive more than 403 V Phase to phase or 240V phase to neutral, low voltage less than 110V phase to neutral, AVR should



(PDF) Technical and Economic Analysis of an HVDC

A techno-economic analysis of this HVDC against high-voltage alternating current (HVAC) technology was performed to determine the suitability



Afghanistan Low Voltage Industrial Controls Market (2024-2030) , Size

The low voltage industrial controls market in Afghanistan is witnessing steady growth driven by increasing industrial automation, technological advancements, and the adoption of smart



Power Solutions , ALEF TECHNOLOGY

ALEF provides premium power appliances and qualified maintenance for all sectors in the Afghanistan market. ALEF Technology is an authorized distributor and





High and low voltage complete sets of equipment

Service Hotline 400-158-6858 E-mail: info@rd-power About Rendong Introduction Culture Organization History Honor Community Products Power Transformer High and low voltage complete



CMU School of Computer Science

é~¿å`OEæ±-- afghanistan ç^±å¥½èEUR aficionados è§,ã¼-- aficionados æ³oæ-°ç¼¾4 afp æ³oæ-° afp æEURO afraid æ æEURO afraid é? æ-° afresh å? é,? afresh é ?æ´² africa å --é ? africa é ?æ´² african å --é

Afghanistan Low Voltage Electric Drives Market (2025-2031)

6Wresearch actively monitors the Afghanistan Low Voltage Electric Drives Market and publishes its comprehensive annual report, highlighting emerging trends, growth drivers, revenue analysis, and



Energy in Afghanistan

Afghanistan purchases as much as 450 MW of electricity from Uzbekistan. This is expected to be increased up to 1,000 MW in the near future.



Afghanistan's Power Sector Update: Outlook remains

Conclusion The outlook for Afghanistan's power sector is at best uncertain given the international isolation that the country is facing, resulting in a



Afghanistan Electric Power Transmission & Distribution Equipment

6Wresearch actively monitors the Afghanistan Electric Power Transmission & Distribution Equipment Market and publishes its comprehensive annual report, highlighting emerging trends, growth drivers,

How much was the military equipment left in Afghanistan worth?

The scale of equipment left behind in Afghanistan is significantly larger than in most other U.S. military withdrawals, primarily due to the long duration of the conflict and the extensive efforts to





Afghanistan Low Voltage MLCC Market (2025-2031) , Trends, Outlook

6Wresearch actively monitors the Afghanistan Low Voltage MLCC Market and publishes its comprehensive annual report, highlighting emerging trends, growth drivers, revenue analysis, and

Contact Us

For datasheets, pricing, or custom telecom energy solutions, please visit:
<https://www.koskolong.co.za>