



Adam Tas Corridor Energy

Price of Outdoor Optical Cable Protective Housing





Price of Outdoor Optical Cable Protective Housing



Security Camera Outdoor Housings

Security Camera Outdoor Housings Outdoor camera housings make non-weatherproof security cameras weatherproof and capable of being used safely outdoors. The outdoor housings on this page can be

OMC Fiber Protection Box for Optical Cable Splicing and

OMC offers a variety of durable fiber protection boxes designed for optical cable splicing and indoor and outdoor fiber management, and are easy to install.



Pedestals & Housings

Broadband pedestals engineered for secure and efficient protection of broadband infrastructure. Built for durability and performance.

Outdoor Termination Boxes

At Fiber4u, we offer a wide range of options developed for outdoor use, including 12 Port, 24 Port, and 48 Port. Our products are available in



SC, ST, LC, and other connector types. Our outdoor



Fiber-Optic Cable Covers , McMaster-Carr

Liquid-Tight Flexible Metal Conduit for Fiber Optic Cable (LFMC-FO) Keep fiber optic signals clear with conduit that's flexible enough to weave through tight spaces and strong enough to resist



Amazon : Security Camera Housing Outdoor

Security Camera Cable Hide Junction Box, Universal Mount for Bullet Cameras, Durable Aluminum Waterproof Housing for Outdoor Surveillance System (1 Pack) Add to cart



PDLC Outdoor Waterproof Fiber Optic Cable Assembly

PDLC Optical Cable Assembly Waterproof Outdoor Protected Cable is standard size for Duplex LC Connectors, and the outer housing with metal protective device.





Outdoor Fiber Optic Cable , Outside Plant Fiber (OSP) Cable

Fiber optic cables for outdoor applications are engineered to withstand the more demanding conditions seen outside, from environmental extremes to mechanical forces. These are the outdoor fiber optic



Optical Fiber Waterproof Box FTTH Drop Cable

About this item FTTH lead-in optical cable protection box is used to protect the two optical fiber lines from being connected and extended without being damaged,

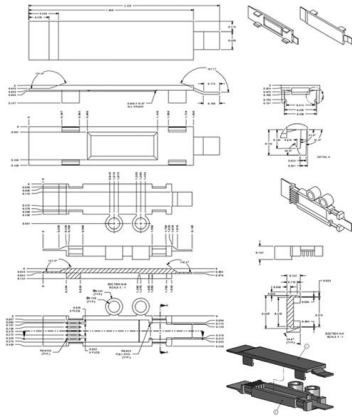
Outdoor Waterproof Fiber Patch Panel

This waterproof patch panel includes cable management accessories such as cable ties, rack mounting screws, and a grid label sticker to support and organize



Outdoor Armored Optical Cable Removable Housing Protective Cover

Shipping fee and delivery date to be negotiated. Chat with supplier now for more details.



optris Outdoor protective housing Operator's Manual

View and Download optris Outdoor protective housing operator's manual online. Outdoor protective housing camera accessories pdf manual download.

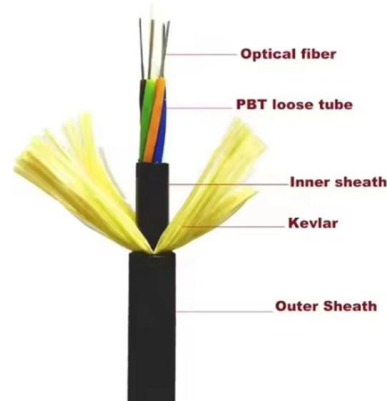


Pd1c Outdoor Waterproof Connector Cable Fixed Cable Dust Proof Optical

Tax excluded, add at checkout if applicable Pd1c Outdoor Waterproof Connector Cable Fixed Cable Dust Proof Optical Wire Fiber Optic Cable Housing Protective Sleeve

Dome Fiber Closure Outdoor Cable Joint Box

Dome type outdoor Dome Fiber Closure are used for optical fiber cable splicing and protection in outdoor environments with wide capability ranging from 12 to 96 fibers, IP68 protection.





Amazon : CPRI Outdoor Armored HDMI Optical Cable Protective

Protect your outdoor HDMI optical cable connections with the CPRI Armored Cable Protective Cover Shell. This rugged metal housing sleeve offers superior protection against water, dust, and other

CPRI Outdoor Armored HDMI Optical Cable Protective

Cover Tv, Enhance your outdoor audio-visual setup with our durable, waterproof HDMI and fiber optic cable metal sleeve, designed to protect against the



Housings for Security Cameras

Shop B& H for our huge inventory of Housings for Security Cameras from top brands like Pelco, Dotworkz, Axis Communications and Bosch, at the best prices.

Buy with free shipping on aliexpress

Silicone Security Camera Protective Case Cover
Weatherproof Cam Protector Case Anti-scratch
Sleeve for Blink Outdoor 4 (4th Gen) US \$5.49
4.4 124 sold



FTTH Terminal Boxs Types Prices & Technical

FTTH Termination Box available for the distribution and terminal connection for various kinds of optical fiber system, Some are used for indoor cabling and others



Protective housings for outdoor use

Our MCO IP69k protective housings offer you reliable protection for your permanent outdoor connections. Not only are they fully dustproof and waterproof, they are also resistant to ozone, UV



Pdlc Outdoor Waterproof Connector Dust Proof Fixed Cable Cord

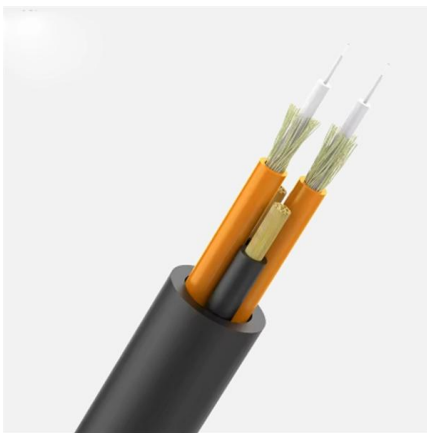
Buy Pdlc Outdoor Waterproof Connector Dust Proof Fixed Cable Cord Protection Cable Fiber Optical Patch Cord Housing Protector at Aliexpress for . Find more 13, 14190410 and 5 products. Enjoy Free





Sharplace 2X Pdlc Outdoor Waterproof Connector Protector

Sharplace 2X Pdlc Outdoor Waterproof Connector Protector Armored Fiber Optic Cable Plastic Fixed Cable Optical Wire Cable Housing Protective Sleeve. ?Cable Protector?This sleeve is easy to use,

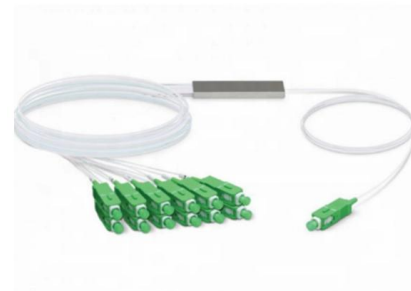


Amazon : Camera Dome Cover

4.3 Inch Outdoor Waterproof Polycarbonate PC Clear Ball Cover Heightened Surveillance Security CCTV Camera Dome Protective Housing Optical Round Transparent Case

Outdoor Cable Protectors

Explore our range of Outdoor Cable Protectors at The Wokplace Depot. Buy with our price match promise and receive FREE UK Mainland delivery.



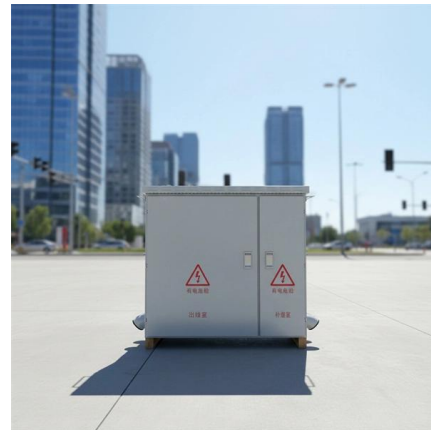
Amazon : Buy 4.3 Inch Outdoor Waterproof Polycarbonate PC Clear

Buy 4.3 Inch Outdoor Waterproof Polycarbonate PC Clear Ball Cover Heightened Surveillance Security CCTV Camera Dome Protective Housing Optical Round Transparent Case online at low price in



New Outdoor Protective Housing

Protect sensitive electronics in harsh environments with Optris's new outdoor housing. Integrate infrared and HD video cameras in a compact, IP66



Contact Us

For datasheets, pricing, or custom telecom energy solutions, please visit:
<https://www.koskolong.co.za>