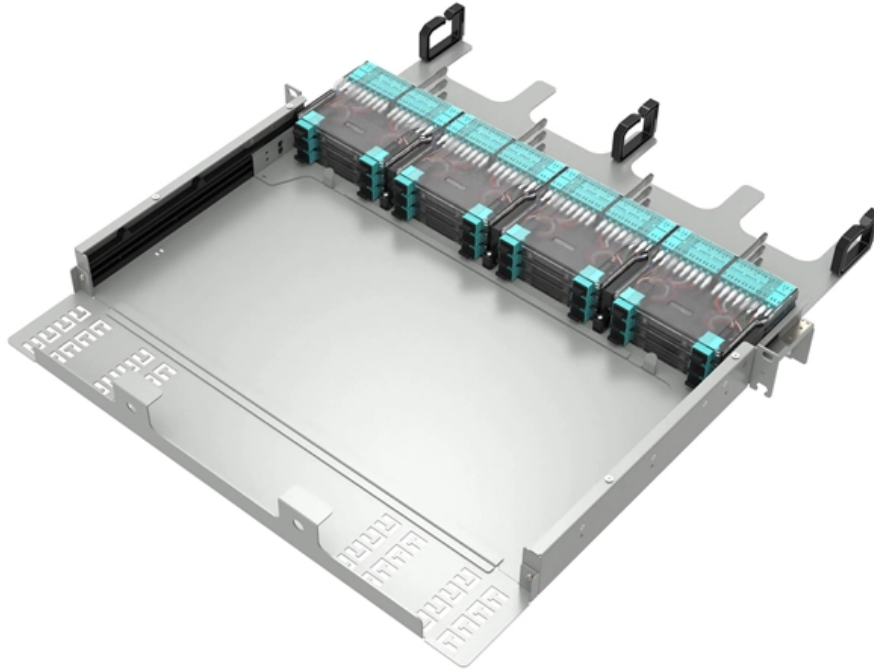




**Adam Tas Corridor Energy**

# **Price of Secondary Distribution Boxes in North Asia**





## Price of Secondary Distribution Boxes in North Asia

---



### Indoor Distribution Boxes

Find here Indoor Distribution Boxes, Indoor Distribution Board manufacturers, suppliers & exporters in India. Get contact details & address of companies

### Trend of Distribution Box in 2025: Smart & Sustainable Growth

Discover the latest trend of distribution box market growth in 2025. Explore smart grid integration, rising demand for IoT-enabled solutions, and key regional opportunities. Click to uncover



### Eventbrite

Find tickets to your next unforgettable experience. Browse concerts, workshops, yoga classes, charity events, food and music festivals, and more things to do.

### Distribution Box Cost Guide 2024: Comprehensive Pricing, Features

Discover complete distribution box cost analysis including pricing factors, advanced features,



safety benefits, and smart technology innovations. Get expert insights on ROI, installation costs, and long



### The Meaning and Function of Primary, Secondary, and Tertiary

Follows the principle of "one machine, one switch, one RCD, one box, one lock," ensuring no single switch controls multiple devices. This explanation aims to clarify the roles and functions of



### Distribution Box Price

The distribution box functions as the distributor and load center of electrical power. It is the central electrical supply system of any building or property and ensures that



### Wholesale Power Distribution Boxes from Manufacturers, Power

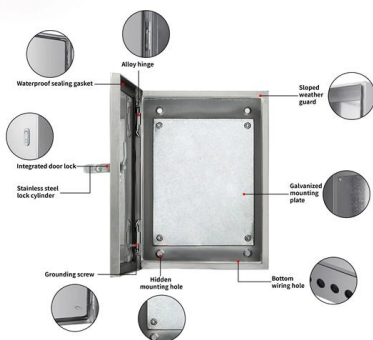
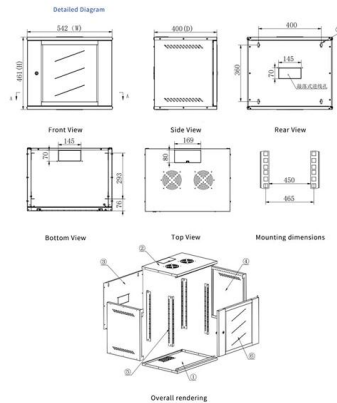
Dive into our online wholesale power distribution boxes products catalog on globalsources ! Source over 59 power distribution boxes for sale from manufacturers with factory direct prices, high quality &





## Distribution Box

Find Distribution Box manufacturers, suppliers, dealers & latest prices from top companies in India. Buy from a wide range of Distribution Box online.



## Global Distribution Boxes Market Research Report 2024

The global Distribution Boxes market was valued at US\$ million in 2023 and is anticipated to reach US\$ million by 2030, witnessing a CAGR of % during the forecast period 2024-2030.

## Global Distribution Boxes Supply, Demand and Key Producers, 2023

This report studies the global Distribution Boxes production, demand, key manufacturers, and key regions.



## SMC Distribution Box

Find the latest SMC distribution box price list from top manufacturers and suppliers in India. Inquire now for exclusive deals on LT fuse sets with SMC boxes!



## Low-Voltage Power Distribution Box Market Research Report 2034

The low-voltage power distribution box market was valued at \$9.8 billion in 2025 and is projected to reach \$17.6 billion by 2034, growing at a 6.7% CAGR.

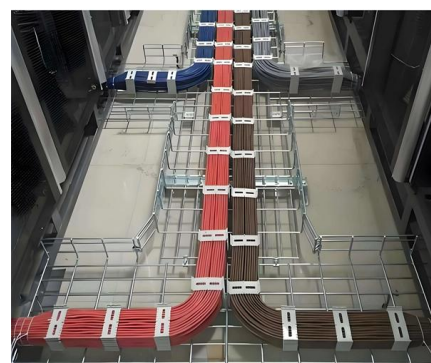


## Global Metal Distribution Boxes Market Insights, Forecast to 2029

This report focuses on the Metal Distribution Boxes sales, revenue, market share and industry ranking of main manufacturers, data from 2018 to 2023.

## Secondary Distribution Boxes

For building owners, architects, construction managers, facilities engineers, and network administrators alike, ACS modular zone distribution systems are the intelligent choice. The ACS Intelligent





## SUPPORTS DIN RAIL INSTALLATION



## Distribution Boxes Market Size, Growth, Forecast Till 2032

The main findings of the report indicate a positive growth trajectory for the Distribution Boxes market, driven by the increasing demand for power distribution and telecommunications infrastructure.

## Mcb Distribution Boxes at Best Price in Faridabad,

Buy low price mcb distribution boxes in nehru ground (nit), faridabad. mcb distribution boxes offered by north india switchgear industries is available with



## Distribution Box Market Report - Trends & Opportunities 2035

The Global Distribution Box Market is projected to grow at a CAGR of 6.6% from 2025 to 2035, driven by increasing demand for efficient power distribution systems across various industries.

## Distribution Boxes Market Size, Share, Trends & Forecast

Gain valuable market intelligence on the Distribution Boxes Market, anticipated to expand from USD 1.5 billion in 2024 to USD 2.8 billion by 2033 at a CAGR of 7.5%. Explore detailed market



## Metal Distribution Boxes Market Report , Global Forecast From 2025

Metal Distribution Boxes Market Outlook In 2023, the global metal distribution boxes market size was valued at approximately USD 4.5 billion, and it is projected to reach around USD 7.9 billion by 2032,



## Explore Distribution Boxes for Every Setting with Different Types

Distribution boxes act as the central hub, receiving the main electrical supply and dividing it into designated circuits for lighting, outlets, and appliances. They provide a safe and organized way



## Metal Distribution Boxes Market Report , Global Forecast From 2025

Metal distribution boxes are typically made from materials such as stainless steel and aluminum, which are subject to fluctuations in prices due to various factors such as supply-demand





## Civil Distribution Boxes (Above 40P) Market Size, Competitive Trends

Civil Distribution Boxes (Above 40P) Market report includes region like North America (U.S, Canada, Mexico), Europe (Germany, United Kingdom, France), Asia (China, Korea, Japan, India), Rest of



## Types and prices of distribution boxes in 2025\_COLORIA GROUP

From basic metal boxes to AI-powered energy hubs, distribution systems are becoming the unseen foundation of smart buildings. Prices might seem steep for advanced units, but they pay



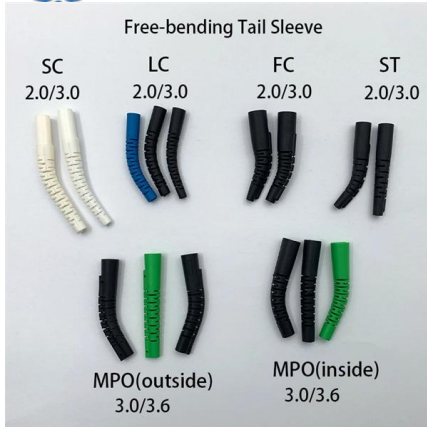
## electrical.

SMC Distribution Pillar Boxes Range: Standard design made as per the electrical requirements to suit conventional power distribution systems consisting of protection devices and metering, and also as



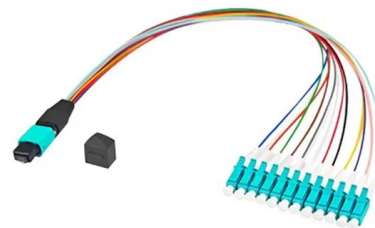
## Distribution Boxes Market Report , Global Forecast To 2028

The global distribution boxes market is expected to grow at a CAGR of 4.5% during the forecast period, from 2021 to 2028.



## Distribution Box Market Size, Share, Trends & Forecast

Access detailed insights on the Distribution Box Market, forecasted to rise from USD 2.5 billion in 2024 to USD 4.8 billion by 2033, at a CAGR of 7.8%. The report examines critical market trends, key



## Asia Pacific Metal Distribution Boxes Market Critical Challenges

The cost of metal distribution boxes varies based on material, design, and features. It is important to consider factors such as durability, safety standards, and long-term maintenance costs.

## Distribution Boxes Market Size, Share, Growth , CAGR Forecast 2033

The distribution boxes market is a critical segment within the electrical components industry, serving as essential infrastructure in power distribution systems across residential, commercial, and industrial





## Contact Us

---

For datasheets, pricing, or custom telecom energy solutions, please visit:  
<https://www.koskolong.co.za>