



Adam Tas Corridor Energy

Price of Wall-Mounted Fiber Optic Splice Box





Price of Wall-Mounted Fiber Optic Splice Box



Splice boxes for indoor and outdoor use at , ShopFiber24

Here you will find a selection of small and bigger wall boxes for Outdoor- and/or Inhouse-Mounting and form a termination to the laying cable. Different adaptors can be installed.

4 Core Fiber Optic Termination Box FTB

ABS Slide In Lock Fiber Optic Termination Box FTB, 4 Core Terminal Box Description Plastic ABS material socket panel FTB86D is a compact size fiber



Fiber Optic Distribution Frame (ODF) , Rack & Wall Mount

Fiber optic distribution frame (ODF), also known as fiber patch panel or optical distribution frame, is a rack-mount or wall-mount enclosure that provides organized termination, splicing, and patching of

Wall boxes Foss Fiber Optics AS

An indoor wall-mount box for efficient termination of fiber optic cables. The box is delivered with a perforated assembly board for



easy attachment of splice holders



Fiber Optic Splice Enclosures , Splice Boxes , Fusing Splicing

We offer indoor rack mount, wall mount, outdoor wall / pole mount, and aerial fiber optic splice enclosures for all applications and strand counts. In Stock!



24 core SC24 Type Fiber Terminal Box As distribution box

The Fiber Optic Terminal Box is a kind of optical fiber management products used to distribute and protect the optical fiber links in FTTH Network. It is available for the distribution and terminal



128 Core Fiber Optic Splice Enclosure Joint Box Wall

128 Core Fiber Optic Splice Enclosure Joint Box 2in 2out Mid Span Ports Outdoor Wall Mounted It is a universal access junction box that allows the continuity and



Distributors: Splice Boxes & Optical Network Terminal Boxes

Comprehensive selection of splice boxes, trays and more for your fiber optic network Splice boxes and splice distributors are essential for a reliable fiber optic cabling system and serve as a connecting



32 Port Fiber Distribution Box, 72 Cores Splicing -

The 32 port fiber splitter distribution box comes in three internal structure options, they all can achieve direct and branch connection of optical cable.

12 Fibers Rack Mounted Fiber Optic Terminal Box As distribution box

Buy high quality 12 Cores Rack Mounted Fiber Optic Terminal Box As distribution box FS-JJ/SC24-12C cables management from China Fiber Termination Box supplier with free shipping to worldwide and



Pole Mount 24 Ports Fiber Optic Termination Box 1x8 Optical Fiber

10pcs/box,60pcs/carton adapter qty 4 pcs SC duplex adapter Model Number FTB208 FTB0224 type fiber optic splice box sample ok Certification ISO Brand Name YINGDA Payment Terms Western



SC SM 6Port Box +Cables Wall Mount Fiber Enclosure with

Fiber enclosure wall mount solutions need to be flexible and allow for all types of fiber termination. 2 ber optic termination box solutions like the fiber splice box allow for maximum flexibility and easy



Buy In Bulk Fiber Optic Splice Tray Price 12/24 Cores Cassettes

1U 2U 4U Fiber Optic Patch Panel ODF Unit Splice Tray Price 12 24 48 72 144 288 Core Port Rack Mount Fibra Optica Terminal Box Delivery by Jul 29 US \$11.00 MOQ: 50 pieces 185 sold



Wall Mounted Fiber Optic Splice Enclosure 12 24 48 96 Cores FTTH

Wall Mounted Fiber Optic Splice Enclosure 12 24 48 96 Cores FTTH Distribution Box(id:11867048), View quality fiber distribution box, optical distribution box, fiber optic distribution details from Huizhou





8 core fiber optic splice box

Aerial Fiber Optic Cable Splice Closure Box Price, 12 24 48 96 144 Core Fiber Optic Joint Enclosure \$10-28 MOQ: 50 pieces GETEKnet OEM FTTH IP67 IP68 Wall Mount 8 16 Core Fiber Optical Joint

Wall Mounted Outdoor IP65 Fiber Optic Distribution Box 96 Fibers

See Larger Picture : Wall Mounted Outdoor IP65 Fiber Optic Distribution Box 96 Fibers Company Name: Huizhou YHT Broadband Equipment Co., Ltd. Membership: Free Member Member Since: 2023.



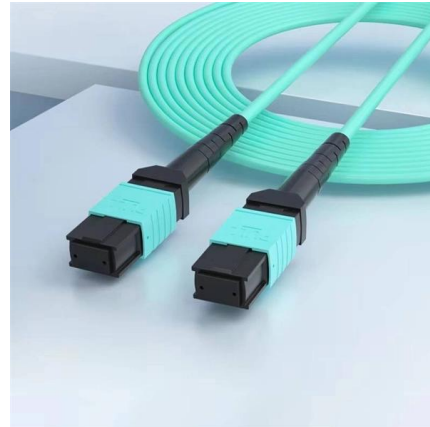
High-Quality Fiber Optic Terminal Boxes , Wall-Mounted

OTRANS is a leading fiber optic terminal box factory. We supply TBA & TBS series wall-mounted boxes for FTTH networks. Request a fast quote and technical



HTB8009 6-Port FTTH Box - Wall-Mount SC Simplex

HTB8009 offers 6-port SC simplex termination with splice storage and tidy routing for indoor FTTH distribution. A space-saving wall-mount enclosure for



Outdoor IP65 Wall Mounted Fiber Optic Distribution Box 12FO

Outdoor IP65 Wall Mounted Fiber Optic Distribution Box 12FO(id:11867039), View quality fiber optic distribution, optic fiber distribution, fiber distribution box details from Huizhou YHT Broadband



Fiber Optic Splice Closure, Electrical Cable Junction

Fiber optical splice closure is widely used in communication, network systems, CATV cable TV, optical cable network systems, and so on. It is used for protective



24 Cores Fiber Optic Splice Boxes

Shop our 24 cores fiber optic splice boxes for reliable FTTH solutions. Durable, IP65-rated closures with high core counts for efficient network management.





4 Port SC Fiber Termination Box, 4 Cores Splice

Shipping cost not included. The 4 port FTTH termination box is a professional enclosure designed to provide a reliable and efficient fiber termination solution for



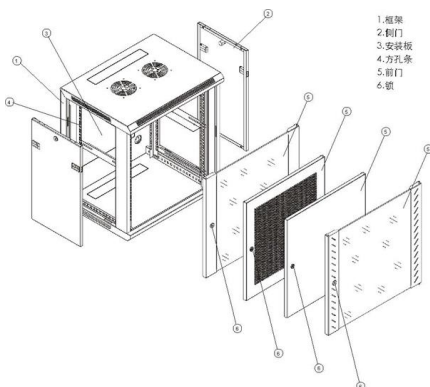
Cable structure

12 core FC12 Type Fiber Terminal Box As distribution box

The Fiber Optic Terminal Box is a kind of optical fiber management products used to distribute and protect the optical fiber links in FTTH Network. It is available for the distribution and terminal

ETS Fiber Optic Distribution Box 2 Core - IP65 Waterproof

It can be wall-mounted or pole-mounted, providing flexibility in installation based on your network setup. The Fiber Optic Distribution Box is suitable for data centers, network hubs, and industrial



Wall-Mounted Fiber Optic Splice Boxes

Wall-mounted fiber optic cabinets and boxes are used to terminate optical fibers outside the 19" cabinets. The range includes both double and single designs



Buy Fibre Optical Enclosures , Wall Mount Box

FTTH mini termination box is designed specifically for FTTx application, it protects fibre optic splices and distribute using SC, FC or ST adaptor. It is suitable in the end termination of residential buildings and

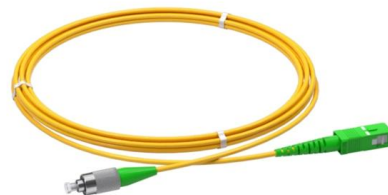


Fiber Optic Wall Boxes & Enclosures

Fiber Optic Wall Boxes & Enclosures Showing 1 - 16 of 16 products Sort by: Featured View Fiber Optic Wall Boxes & Splice Enclosures Indoor Wall Mounted Fiber

Fiber optic junction box, Fiber optic terminal box

The GZR Series 19" Rack-mounted Terminal Box (Rail-based) is a functional component for optical fibre distribution frames or network integrated cabinets,



Wall Mount Patch Panels Wall Mount

The 6752 Building Distribution Cabinet (BDC) is a wall-mounted unit used to patch, or patch and splice optical fibers. It accommodates up to 144 connections and



Contact Us

For datasheets, pricing, or custom telecom energy solutions, please visit:
<https://www.koskolong.co.za>