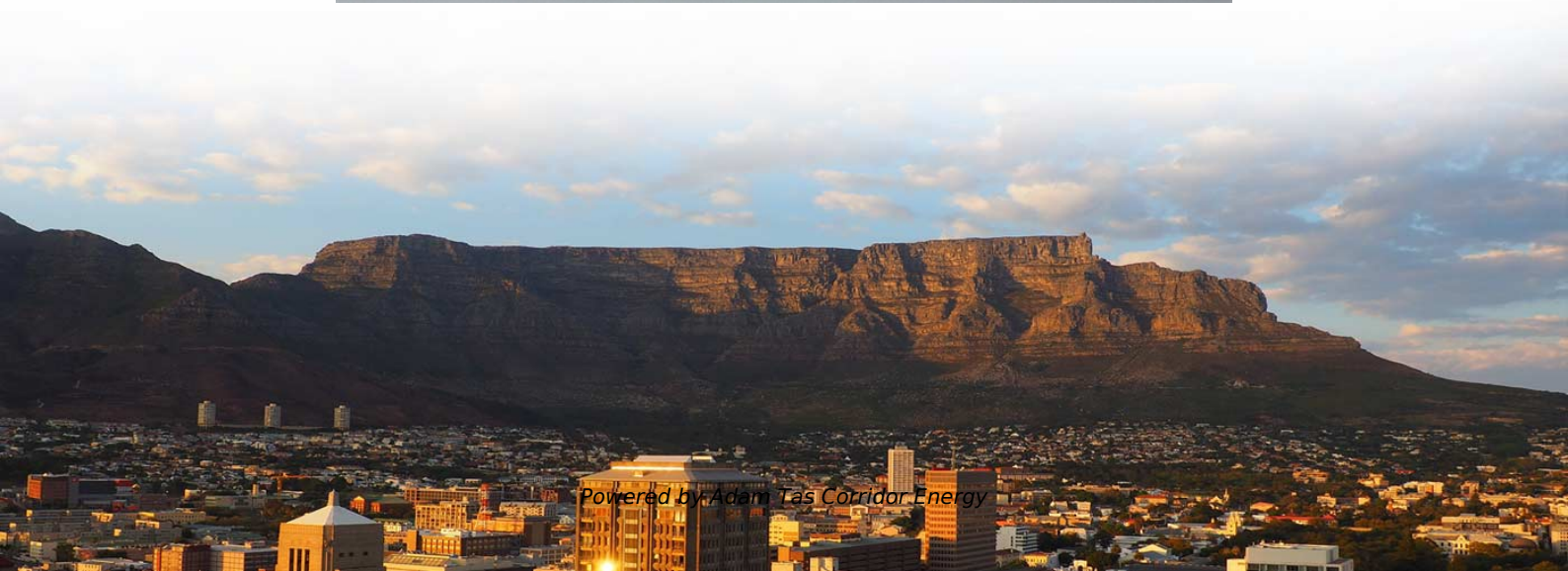




Adam Tas Corridor Energy

Price of outdoor electrical distribution boxes in Sweden





Price of outdoor electrical distribution boxes in Sweden



Electrical connection boxes

Cable gland M20, 6-12 mm, 2 pcs. Cable gland M16, 4-8 mm, 2 pcs. Cable gland PG16, 10-14 mm, 2 pcs. Cable gland M25, 13-18 mm, 2 pcs. Cable gland PG21, 13-18 mm, 2 pcs.

Sicherungskasten

Various versions of distribution boxes, a large selection of materials, voltage ranges, rated currents and IP protection types / protection classes for indoor and outdoor use, as well as a wide range of



Portable Distribution Box, IP44

For simple and safe electricity distribution indoors and outdoors for e.g. construction sites, light industry, events, etc. Category A earth leakage circuit breaker (40 A/30 mA) at all sockets.

Distribution Boards

Intelligent Distribution refers to advanced electrical distribution systems that integrate digital technologies to optimize the



management, monitoring, and control of power distribution in various

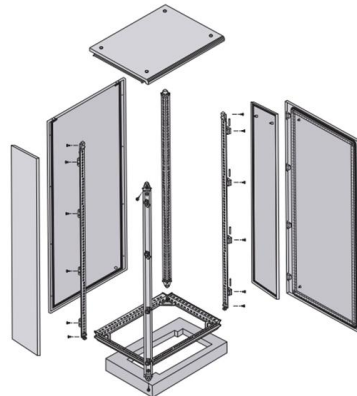


Power Distribution Box

Find here Power Distribution Box, electric distribution box manufacturers, suppliers & exporters in India. Get contact details & address of companies

Outdoor Box

Our offered outdoor distribution boxes are designed keeping in mind the quality standards by using latest technology & finest components. This outdoor



Electrical Boxes, Cabinets and Enclosures at GroupSumi

Our selection of electrical enclosures is designed to meet all your needs for protecting electrical systems, from small residential projects to large industrial installations.



Distribution boxes - For modular and decentralised solutions

We provide you with information on our distribution boxes for download. Download our product catalogue for sensor-actuator cabling and circular connectors or our portfolio overview for

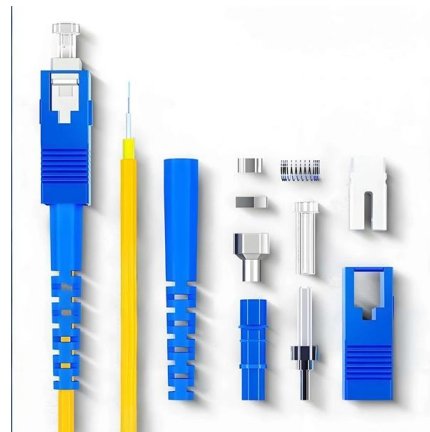


Outdoor type low voltage stainless steel distribution box

Discover our premium outdoor low voltage stainless steel distribution box, crafted from durable SS316 material. This electric power switchgear panel is designed for

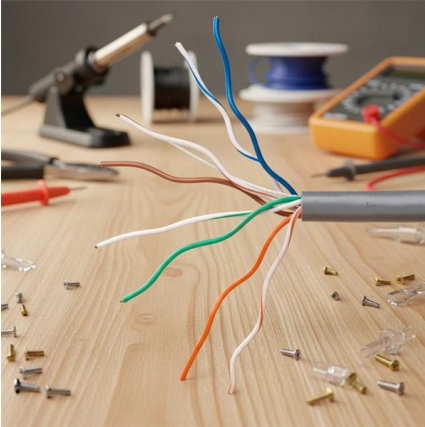
Outdoor Electrical Distribution Box Specifications: NEC

Complete specification guide for outdoor electrical distribution boxes covering NEC Article 312 requirements, NEMA ratings, sizing calculations, and



Breaker Boxes for Electrical Panel Systems , Lowe's

Breaker boxes support everyday electrical systems by helping you organize circuits and manage power distribution efficiently. They're useful for maintaining



Lists/subdomains2 at main · ArtesOscuras/Lists · GitHub

Multiple wordlist for pentesting purpose. Contribute to ArtesOscuras/Lists development by creating an account on GitHub.



Portable PDUs , Shop Spider Boxes, Power Distribution Boxes & More

Choose from spider boxes, power distribution boxes, power distribution systems, power distribution carts, and more to fit your needs. Affordable, reliable portable power distribution units for installation

Indoor / Outdoor Distribution Boxes , SENTAL Export

If you lay cables, these must also be distributed. We offer a wide range of street cabinets, as well as indoor and outdoor distribution boxes.





12 Way Weatherproof Distribution Box

Product Code: YOR-1050 Categories Distribution Boards, Distribution Boards Brand: Allbro R 2,906.04 (Inc VAT) In stock In Stock Select a branch for in-store stock

Amazon .uk: Electrical Distribution Box

DIN Rail Enclosure Circuit Breaker, 3-Way Power Distribution Box, Weatherproof Electrical Box, for Indoor and Outdoor Power Systems (White) 4.5 (2) £859 FREE delivery Thu 23 Apr on your first



Distribution boxes , Ahlsell - We make it easier to be pr

The central unit is manufactured to withstand the Nordic outdoor climate for many years and electrical safety tested down to the smallest detail. With an integrated service hatch, all standard components

Outdoor Electrical Distribution Panels: Weatherproof Solutions

Need durable outdoor electrical distribution panels? Discover IP66 waterproof, rustproof panels with surge protection for construction sites and industrial use. Click to compare prices from top



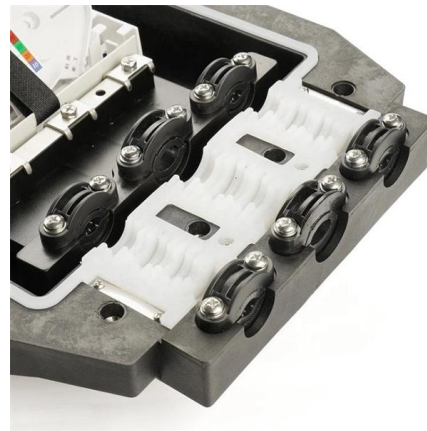
Outdoor Power Distribution Boxes: The Backbone of

Discover how J& HW Group's outdoor power distribution boxes deliver safe, weatherproof, and customizable solutions for modern industrial and



Junction Boxes

Distrelec Sweden stocks a wide range of Junction Boxes. Next Day Delivery Available, Friendly Expert Advice & Over 180,000 products in stock.



Discover Europe's digital cultural heritage , Europeana

Hier sollte eine Beschreibung angezeigt werden, diese Seite lässt dies jedoch nicht zu.





Distribution boxes

You can order directly from the official Könnert & Söhne website, where you'll find certified models at competitive prices. Order your Könnert & Söhne distribution board today and ensure safe, reliable



Back & Mounting Boxes , Farnell Sweden

Buy Back & Mounting Boxes. Farnell Sweden offers fast quotes, same day dispatch, fast delivery, wide inventory, datasheets & technical support.

Outdoor ABS Distribution Box, Electrical Distro Boxes

The HTS range of Outdoor ABS Distribution Boxes features plastic screws. Compared to metal screws, plastic screws have excellent waterproof penetration



Temporary Power Distribution Boxes for Electrical

Temporary power distribution boxes for flexible electrical installation. Robust solutions for construction sites, events and temporary energy infrastructure.



Weatherproof Electrical Boxes for Outdoor Use , Lowe's

Check availability for durable weatherproof electrical boxes that protect wiring from moisture and debris in demanding outdoor and exterior installations.



Contact Us

For datasheets, pricing, or custom telecom energy solutions, please visit:
<https://www.koskolong.co.za>