



Adam Tas Corridor Energy

Price of seismic bracing for cable trays in Rwanda



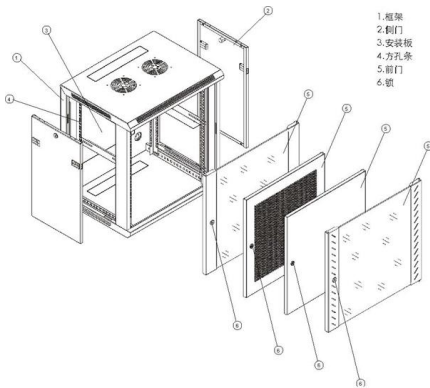
From standard **1U** to **8U** sizes to

fully customized **Non-standard** enclosures.





Price of seismic bracing for cable trays in Rwanda



- 1. 框架
- 2. 柜门
- 3. 安装板
- 4. 方孔条
- 5. 前门
- 6. 锁

The shake on seismic bracing

Seismic bracing against the wrath of earthquakes is an increasing concern for today`s data-communications and telecommunications cable installer, and efforts

Cable Tray Earthquake Bracing Kit

This bracing kit is used to prevent damage to cable tray sections during earthquakes. Keeps installation safe and stable during seismic events
Includes two 5/8" x 24"



Seismic Bracing Ensures Stability and Safety of Cable

Seismic bracing can enhance the stability and safety of cable trays during earthquakes and other vibration events, ensuring your cable system is secure



Seismic Bracing & Force Protection , Gripple

Gripple Seismic Bracing systems are specifically designed and engineered to brace and secure suspended non-structural equipment (VAV boxes,



fans, unit heaters, small in-line pumps, etc.) and



Cable Tray Manufacturers in Rwanda, Hose Clamps, Crimping Tools

Started back in 1983, Cable House is a recognized name engaged in manufacturing and supplying wide range including Hose Clamps, Cable Ties, Crimping Tools, Cable Tray, Industrial Connectors and



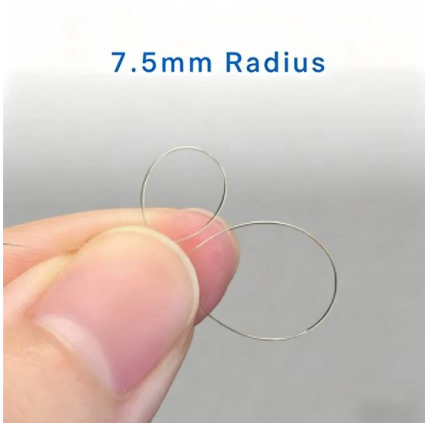
Performance-based optimum seismic design of cable tray system

The seismic performance levels of cable tray systems are presented according to current seismic design codes. A performance-based optimum seismic design procedure for cable tray



Seismic fragility analysis of suspended cable trays in civil buildings

This study aims to understand the seismic fragility of typical suspended cable trays in civil buildings through full-scale shaking table tests and numerical simulation. Based on the shaking table





SOLUTIONS

Engineer certified designs and site inspections
Ezystrut offers a range of seismic solutions that comply with Australian Standard AS1170.4. Our one-stop solution for seismic bracing, cable tray, pipe

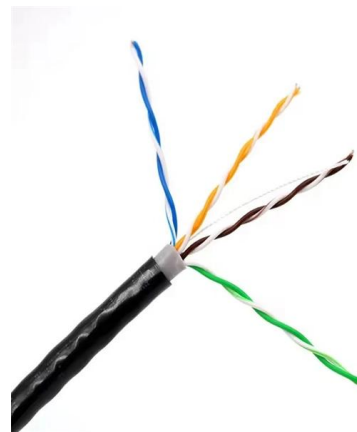


Understanding Seismic Support for Electrical Installations

This necessity is particularly true for cable trays, which play a critical role in managing electrical wiring and equipment. Adhering to seismic support requirements is essential to enhance the reliability of

Seismic cable bracing

Discover seismic cable bracing with cross bracing for steel structures. Ideal for seismic loading, CE certified, durable galvanized steel.



Seismic Cable Restraint Kits

Overview The Easy ex EFSCK Series Seismic Cable Restraint Kits are engineered to secure suspended non-structural components--such as ductwork, piping, conduit, cable trays, and HVAC



Understanding the Seismic Resistance of Cable Trays

In conclusion, whether or not you need seismic braces for your cable trays depends on several factors, including local building codes, the importance

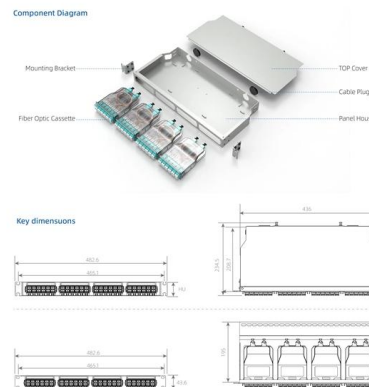


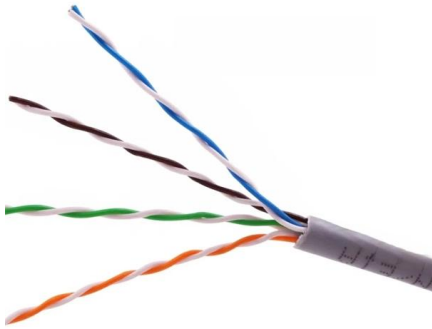
Cable Tray Earthquake Bracing Kit

This bracing kit is used to prevent damage to cable tray sections during earthquakes.

Cable Tray Manufacturers In Rwanda, Electrical Cable Tray Suppliers

Competitive Price Focus On Innovation Ready to Dispatch Leading Cable Tray Manufacturers In Rwanda Cable Trays are important for ensuring the protection of the wiring system and supporting





Seismic Bracing Kit , Seismic Bracing , Wire and Cable Hangers , Wire

Cablofil Wiremesh Cable Tray concept based upon performance, safety and economy; three qualities which make Cablofil Wiremesh Cable Tray system preferred by installers. Cablofil adapts to the most

Seismic Cable Restraint Kits

The Easy ex EF5CK Series Seismic Cable Restraint Kits are engineered to secure suspended non-structural components--such as ductwork, piping, conduit, cable trays, and HVAC



Installing Seismic Restraints for Electrical Equipment

Raceways/Conduits/Cable Trays: Covers the different ways to install raceways, conduits, and cable trays. Attachment Types: Gives instructions on installing equipment in different arrangements known

We make the complex simple!

What is Seismic Bracing? Seismic forces are exerted on a building and its contents during an earthquake. These forces act horizontally upon the structure itself, as well as cable trays, ductwork,



Cable & Pipe Supports

In Australia, seismic compliance is mandated by Section 8 of AS1170.4 (2007). EzyStrut offers a range of seismic solutions that comply with AS1170, and our one-stop range of seismic bracing, cable tray



Seismic Bracing Kit , Seismic Bracing , Wire and Cable Hangers , Wire

Kit contains items needed for seismic bracing long cable tray runs. Each kit contains: (4) 11' cables with mounting eyelets (2) Metal brackets for attachment to support members (4) Cable clamp collars (4)



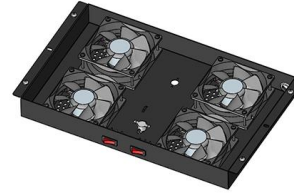
Seismic MEP Solutions , Eaton

What are the types of cable bracing? Seismic bracing is categorized as cable bracing or rigid bracing. Both can be used in mechanical, electrical, and plumbing applications. Cable bracing works in



Seismic analysis and design of electrical cable trays and support

The design aspects of electrical cable trays and support systems are discussed from the seismic and structural standpoint. The effects of the inherent flexibility of commonly used cable trays



Seismic Bracing Systems

Seismic bracing systems, are developed to prevent possible damages in the building installation, especially during natural disasters

Why do 150N/m Cable Trays Require Seismic Bracing?

Not all cable trays require seismic bracing. Smaller trays (e.g., 200mm) that contain only a few control or lightweight cables will typically have a total weight below 150N/m.



Seismic Cable Bracing Solutions Guide

Ezystrut offers seismic bracing solutions for cable trays and pipes that comply with Australian standards. They provide two main types of seismic bracing: cable



Seismic Cable Bracing Systems

Seismic Bracing Systems may be used for electrical cable trays, fire sprinkler systems, plumbing, and suspended equipment. Though the most common



Appendix 3F Cable Trays and Cable Tray Supports

This appendix provides the design criteria for seismic Category I cable trays and their supports. Seismic Category II cable trays and their supports are also designed utilizing the design criteria of this appendix.

Seismic Bracing Systems for Cable Trays Catalog

Explore seismic bracing solutions for cable trays. Catalog details wire rope/cable systems, specs, design for earthquake protection.





Contact Us

For datasheets, pricing, or custom telecom energy solutions, please visit:
<https://www.koskolong.co.za>