



Adam Tas Corridor Energy

Price of seismic bracing for cable trays in Vietnam





Price of seismic bracing for cable trays in Vietnam

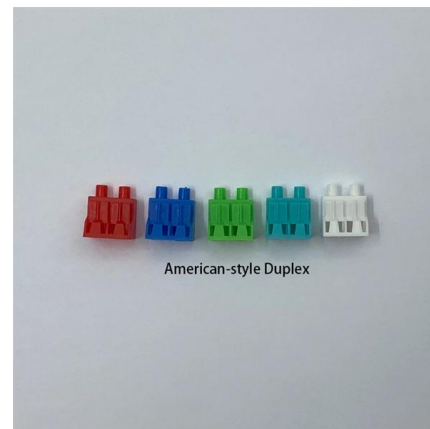


Cable Trays Seismic Design: Protecting Power in Quake

Learn how I approach Cable Trays Seismic Design to protect power and data in earthquake-prone areas. Understand key principles, methods, and

The shake on seismic bracing

Seismic bracing against the wrath of earthquakes is an increasing concern for today`s data-communications and telecommunications cable installer, and efforts



FDG Seismic Cable Bracing

FDG supplies seismic cable bracing solutions for reliable and efficient earthquake protection. Vaico's innovative V.Lock products ensure structural integrity and safety in seismic zones. Learn more about

Seismic Bracing Ensures Stability and Safety of Cable

Seismic bracing can enhance the stability and safety of cable trays during earthquakes and



other vibration events, ensuring your cable system is secure



Seismic Bracing Kit , Seismic Bracing , Wire and Cable Hangers , Wire

Cablofil Wiremesh Cable Tray concept based upon performance, safety and economy; three qualities which make Cablofil Wiremesh Cable Tray system preferred by installers. Cablofil adapts to the most

Seismic Bracing Systems for Cable Trays Catalog

Explore seismic bracing solutions for cable trays. Catalog details wire rope/cable systems, specs, design for earthquake protection.



Seismic Cable Bracing Systems

Seismic Bracing Systems may be used for electrical cable trays, fire sprinkler systems, plumbing, and suspended equipment. Though the most common



Seismic analysis and design of electrical cable trays and support

The design aspects of electrical cable trays and support systems are discussed from the seismic and structural standpoint. The effects of the inherent flexibility of commonly used cable trays



Appendix 3F Cable Trays and Cable Tray Supports

This appendix provides the design criteria for seismic Category I cable trays and their supports. Seismic Category II cable trays and their supports are also designed utilizing the design criteria of this appendix.

Seismic Bracing Systems, Seismic Support for Cable Tray

Seismic Bracing Systems, Seismic Support for Cable Tray, Find Details and Price about Anti-Seismic Bracket Seismic Equipment from Seismic Bracing Systems,



Understanding the Seismic Resistance of Cable Trays

This article discusses the importance of seismic resistance for cable trays, detailing when seismic braces are necessary, the factors that affect seismic



Seismic cable bracing

Discover seismic cable bracing with cross bracing for steel structures. Ideal for seismic loading, CE certified, durable galvanized steel.



Westinghouse AP1000 Design Control Document Rev. 19

The AP1000 cable tray system design requires no sprayed-on material for fire protection. Cable ties are provided at spacing greater than 4 feet, thereby permitting cable movement within the trays. The

Cable Tray Earthquake Bracing Kit

This bracing kit is used to prevent damage to cable tray sections during earthquakes. Keeps installation safe and stable during seismic events Includes two 5/8" x 24"





Vogtle Electric Generating Plant (VEGP) Units 3 and 4 Updated



Cable Trays and Cable Tray Supports This appendix provides the design criteria for seismic Category I cable trays and their supports. Seismic Category II cable trays and their supports are also designed

Seismic cable bracing solution brochure

As an alternative to rigid bracing system attachments, the B-Line series seismic cable bracing kit is ideal for electrical, mechanical and plumbing applications in new and retrofit commercial construction.

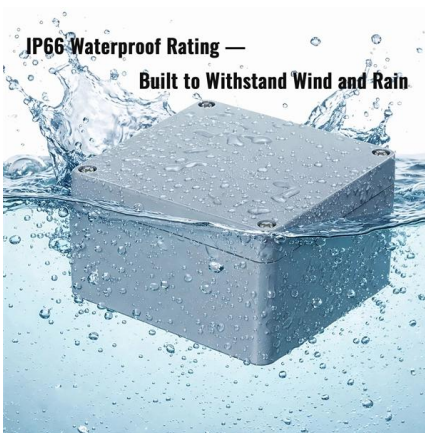


Seismic fragility analysis of suspended cable trays in civil buildings

This study aims to understand the seismic fragility of typical suspended cable trays in civil buildings through full-scale shaking table tests and numerical simulation. Based on the shaking table

Understanding Seismic Support for Electrical Installations

This necessity is particularly true for cable trays, which play a critical role in managing electrical wiring and equipment. Adhering to seismic support requirements is essential to enhance the reliability of

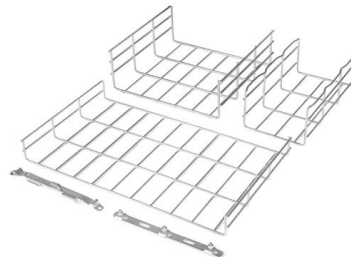


Seismic Bracing Kit , Seismic Bracing , Wire and Cable Hangers , Wire

Kit contains items needed for seismic bracing long cable tray runs. Each kit contains: (4) 11' cables with mounting eyelets (2) Metal brackets for attachment to support members (4) Cable clamp collars (4)

Seismic Cable Restraint Kits

The Easy ex EF5CK Series Seismic Cable Restraint Kits are engineered to secure suspended non-structural components--such as ductwork, piping, conduit, cable trays, and HVAC



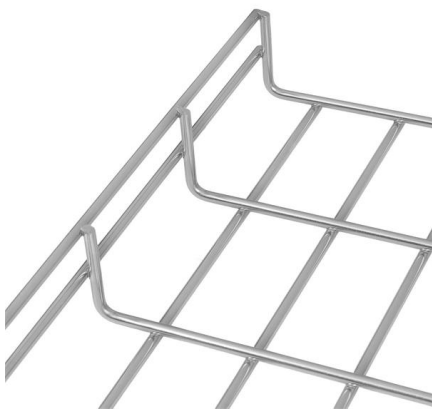
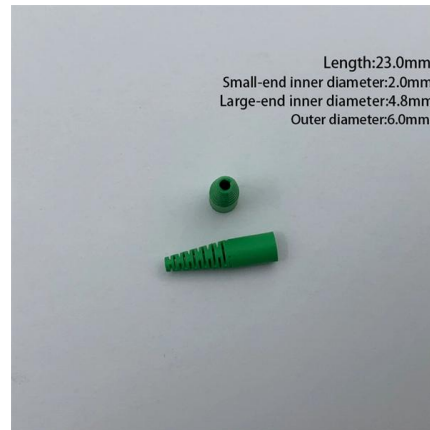
UNISTRUT Seismic Bracing Solutions

UNISTRUT Seismic Bracing Solutions Unistrut is a global leader in seismic bracing solutions and is a go-to resource for Engineers, Contractors, Specifiers, and others. We have decades of experience



Cable Tray Seismic Bracing

The cost of cable tray seismic bracing is influenced by several factors, including the material used, the type and size of the trays, and the complexity of the installation.

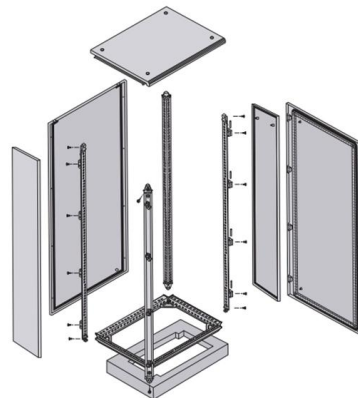


Reliable Cable Tray Seismic Bracing , Control Quake

Cable tray seismic bracing is a support device that limits the displacement of electromechanical pipelines (such as water pipes, cable trays, and air ducts) and

Rev 7 to Procedure SAG.CP3, "Seismic Design Criteria for Cable Tray

A cable tray hanger is classified as a _ seismic Category I structure, and therefore, it shall be adequately designed for the effect of the postulated seismic event combined with other applicable and'



Seismic and cable tray solution flyer

Eaton's B-Line series cable tray with TOLCO seismic bracing is the recommended total solution for your project. Our cable tray, bolted framing, and seismic bracing are approved as one system through



Seismic Bracing Hardware

Seismic braces include parts and components that secure pipes, conduit, ductwork, and other hanging equipment in buildings during earthquakes. Hardware such as rigid and cable braces, retaining



Seismic Bracing Cables & Hangers , Gripple

We offer a pre-engineered, time-saving solution which braces and secures non-structural equipment within a building to minimize damage from earthquakes or

Why do 150N/m Cable Trays Require Seismic Bracing?

Not all cable trays require seismic bracing. Smaller trays (e.g., 200mm) that contain only a few control or lightweight cables will typically have a total weight below 150N/m.





Contact Us

For datasheets, pricing, or custom telecom energy solutions, please visit:
<https://www.koskolong.co.za>