



**Adam Tas Corridor Energy**

# **QSFP Optical Module Remote Monitoring Manufacturer**





## QSFP Optical Module Remote Monitoring Manufacturer

---

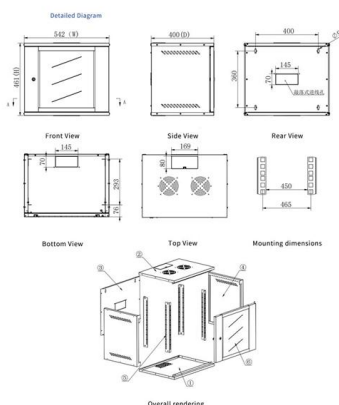


### Decoding QSFP-DD Module CMIS Protocol and DDM

The CMIS protocol and DDM functionality of QSFP-DD modules offer a standardized interface and method for managing and monitoring optical

### The Ultimate Guide to Cisco QSFP Optical Transceiver

Efficient and consistent data transmission is significant in the rapidly changing technological environment. Without a doubt, in high-speed networking



### Cisco Nexus 9000 Series NX-OS Interfaces Configuration Guide,

ZR Plus variant: The QSFP-DD OpenZR+ module complies with the OpenZR+ MSA. ZR+ pluggable coherent optics support regional to long-haul transmission of wavelengths with multiple

### QSFP, QSFP+, SFP, SFP+ transceiver modules and

Relying on its sharp market insight, strong R& D capabilities and continuous efforts, QSFPs has



become one of the leading supplier for QSFP+ transceivers,



### **40G QSFP: The Core of Optical Network Interconnection**

While SFP modules remain suitable for lower-speed applications, QSFP modules are designed for high-bandwidth environments where scalability

### **What is QSFP Optical Module? Uses, How It Works & Top**

The QSFP (Quad Small Form-factor Pluggable) optical module is a compact, high-speed transceiver used primarily in data centers, enterprise networks, and high-performance computing



### **40G QSFP+ Transceiver Modules , Optical Transceivers**

FS 40G QSFP+ optical transceiver module solutions offer a full range of QSFP+ modules from 150m to 80km reach, and used for high-density switching, routing



## All About QSFP Cables, Connectors, and More

Amphenol is your industry leader when it comes to the innovation, design, manufacture, and supply of high-performance cable connectors and



## Overview of QSFP28 LR4 Optical Transceiver

Discover FS's QSFP28 100G LR4 optical transceiver, offering low power consumption, perfect compatibility, and reliable long-distance performance

## QSFP+ Optical Transceivers

Our QSFP transceivers are used to support Ethernet, InfiniBand and fibre channel connections and transmit data up to 100Gbps.



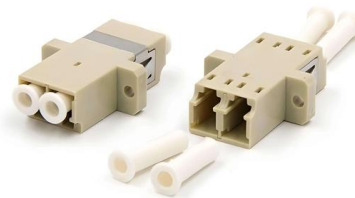
## Optical Transceiver Manufacturer , 1G-800G Optics , Wolon

QSFP & QSFP28 MODULE Custom 400G / 800G  
QSFP-DD & OSFP MODULE Enterprise & Access  
Optics Engineered for enterprise networks and access layer



### Optical Time Domain Reflectometer (OTDR), with 8

Secondly, OPD, the Optical Power Monitoring Unit, provides real-time monitoring of optical fiber signal power, primarily for link status. Lastly, OTDR, the



### Cisco QSFP-40G-LR4 Compatible 40GBASE-LR4

Besides, the quad small form-factor pluggable (QSFP) LR4 optic is compatible with brand equipment (Ethernet switches, routers, and NICs). The 3rd-party 40G



### Global IT Products & Network Solutions Provider , Black Box

Black Box provides cutting-edge IT solutions and technology products to businesses worldwide, ensuring innovative and reliable services for global digital transformation.





## QSFP, QSFP+, and QSFP28: What You Need to Know

If you're looking for the most advanced optical module package on the market, look no further than QSFP. QSFP+ and QSFP28 are the two latest

## QSFP-DD Optical Module Overview: What is the differ?

This article will introduce the next generation optical module in detail, QSFP-DD, also known as quad small factor pluggable, and this article will also

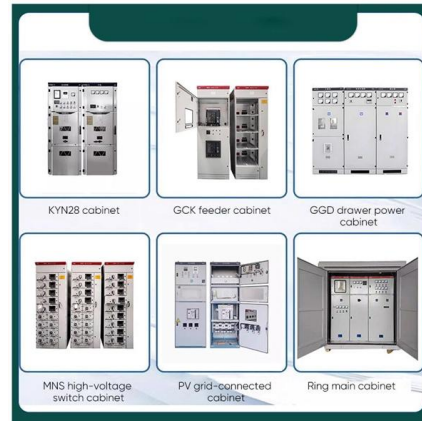


## QSFP eOTDR , Coherent

Optimize network performance with real-time diagnostics and predictive maintenance. Delivers 30 dB dynamic range, monitoring spans up to 150 km with

## What is QSFP & QSFP+ Transceiver: An Ultimate Guide

What is a QSFP & QSFP+ Transceiver? QSFP stands for Quad Small Form-factor Pluggable. By integrating four-lane signals into a single module, it



### Qsfp+Psm4 Sr4 SFP Ethernet Fiber Digital Diagnostic Monitoring

Design and manufacture fiber optic active components, modules and fiber optic system products, Include SFP, SFP+, XFP, CFP, CFP2, CFP4, QSFP+, SFP28, QSFP28 series optical



### Wholesale Optical Transceivers Module , 100G

Shop high-speed optical transceivers from Unitekfiber. We offer 100% compatible 40G, 100G, and 400G QSFP-DD modules for data centers. Expert technical



### 40G QSFP+ Transceiver Fiber Optic Transceiver

It is intended for use short reach applications in switches, routers and data center equipment where it provides higher density and lower cost when compared with





## Decoding QSFP-DD Module CMIS Protocol and DDM

Different vendors may have varying CMIS implementations for their optical modules, potentially resulting in compatibility and interoperability issues.

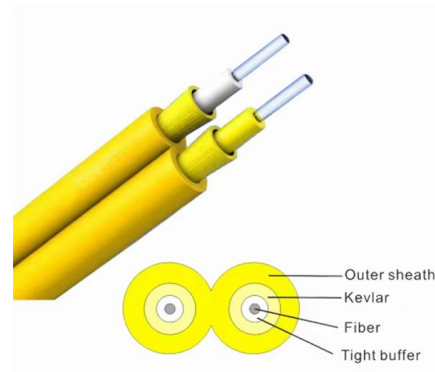


## 100GBASE QSFP-100G Modules Data Sheet

The Cisco QSFP-100G-SR-S Module is a pluggable optical transceiver with a duplex LC connector interface supporting link lengths of 70 and

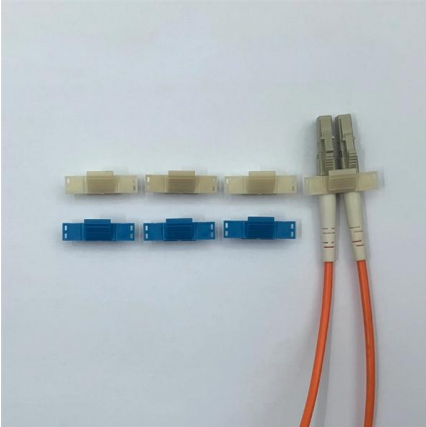
## Optical Transceivers , Network Solutions for AI Cluster,

In the design of AI computing clusters, Scale-Up and Scale-Out have different goals from the outset, and their evaluation criteria are not aligned along the same



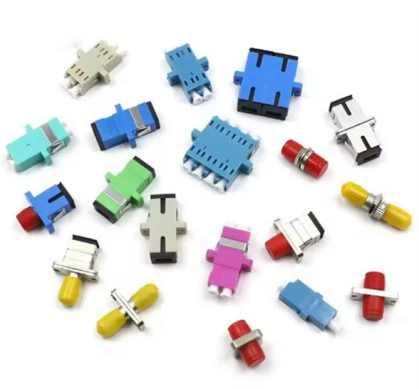
## 100Gb/s QSFP28 Transceivers

Amphenol's 100G QSFP28 optical modules include SR4, AOC, AOC break out, CWDM4, LR4, ER4 Lite, ER4 and ZR4 series, which adopt LC or MPO optical ports and are compatible with IEEE802.3bm,



### 40G QSFP+ Transceiver Modules , Optical Transceivers

Click to get your 40G QSFP+ transceiver modules from nearby warehouses. 30-Day Free Return. Trusted by 260K+ Enterprise Users.



### Extreme Networks Optical Modules: QSFP-DD & OSFP Solutions with

Explore Extreme Networks optical modules featuring QSFP-DD and OSFP solutions with advanced DDM monitoring capabilities. Learn about compatibility, deployment benefits, and future

### Comprehensive Guide to 400G/800G QSFP-DD Optical

Boost AI, cloud, and 5G with QSFP-DD optical modules offering high bandwidth, low latency, and seamless scalability.





## Contact Us

---

For datasheets, pricing, or custom telecom energy solutions, please visit:  
<https://www.koskolong.co.za>