



**Adam Tas Corridor Energy**

# **ST Fiber Optic Attenuator Manufacturer**





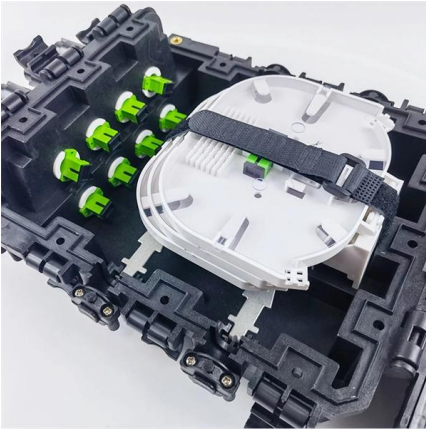
## Overview

---

, LTD is a Fiber Optic Attenuator with Attenuation 1 to 30 dB, Return Loss >55 to 65 dB, Polarization Dependent Loss <0. Purpose: To describe the Fiberdyne Labs fiber-optic, fixed, single-mode attenuator with ST/UPC connections. As optical passive devices, FS attenuators are mainly used in fiber optic to debug optical power performance & optical instrument calibration correction & fiber signal attenuation to ensure the optical power in a stable and desired level in the link without any changes on its original transmission. When a cable end is inserted into the female end, the remaining male end can be connected to the equipment where the cable would otherwise connect directly, but providing the desired.



## ST Fiber Optic Attenuator Manufacturer



### Optical Attenuators - fixed, variable, VOA, high-power,

Optical attenuators are devices that reduce the optical power of a light beam by a fixed or variable amount. Key requirements include minimal effect on the beam

### bnc-attenuator-contact-co Manufacturer/Producer

All suppliers for bnc-attenuator-contact-co Manufacturer/Producer Find wholesalers and contact them directly B2B marketplace Find companies now!



### Accortec St Connector Singlemode Fiber Optic Attenuator 5Db

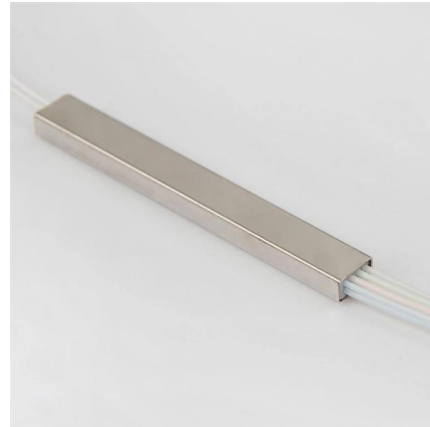
Accortec St Connector Singlemode Fiber Optic Attenuator 5Db - ATT-ST-5D-ACC Defective products must be in the original factory carton with all original packing materials. The Return Authorization

### Fiber optic attenuator ST UPC female to male plug type FM 0db

Fiber optic attenuator for optimal signal control in FTTH applications. Available in various



attenuation levels: 0dB, 1dB, 3dB, 5dB, 7dB, and 20dB to meet different network requirements.



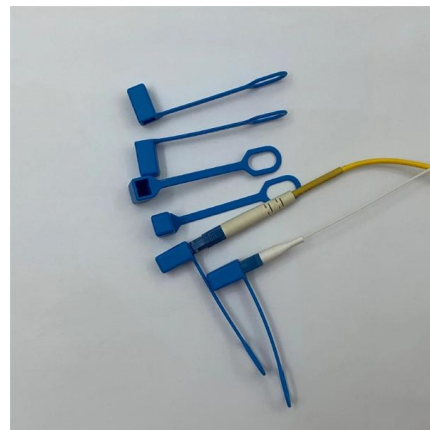
### **ST Fiber Optic Attenuator**

Tarluz provides optical attenuators with various connector types, such as LC/FC/SC/ST/MU/E2000, available with UPC or APC polish, male or female



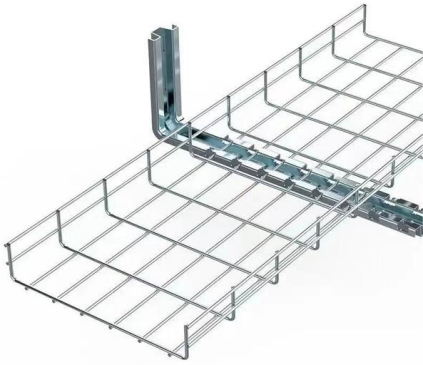
### **ST Fiber Optic Attenuator, Fixed Value, Male to Female**

Our ST attenuators are manufactured and tested according to the industrial standards and they are 100% compatible to use with equipment and components



### **Fiber Optic Cables Adapters Couplers Connectors Bulk Cable**

Available in several options, including single-mode fiber, multimode fiber, duplex fiber, simplex or duplex single-mode fiber cables, our fiber optic cable assemblies utilize the most widely used connectors



### Optical fiber connector

Optical fiber connectors are used to join optical fibers where a connect/disconnect capability is required. Due to the polishing and tuning procedures that may be



### Customised ST Fixed SM/MM Fibre Optical Attenuator

Buy customised ST fixed SM/MM fibre optic attenuator male-female from reliable

### Fiber Optic Attenuators , Optoelectronics , DigiKey

Shop DigiKey's large in-stock selection of Fiber Optic Attenuators. View inventory, pricing and order now for same day shipping!





## Variable Optical Attenuators

Variable optical attenuators, used in fiber communications, vary light attenuation. The article discusses operation principles and various performance parameters.

## Fiber Optic Attenuator Single mode Fixed Type LC SC FC ST Supplier

Fiber Optic Attenuator Single mode Fixed Type LC SC FC ST Fiber optic attenuator, also called optical attenuator, is a passive device used to reduce the power level of an optical signal.

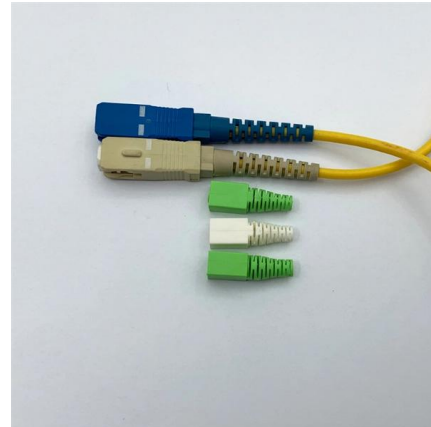


## Fiber-optic Attenuators - Buying Guide & Suppliers

This fiber-optic attenuators buying guide provides technical background, comparison of major types, selection criteria, and an overview of suppliers.

## Fiber optic attenuator ST UPC female to male plug type FM 0db

Buy Fiber optic attenuator ST UPC female to male plug type FM 0db-30dB 1db 3db 5db 7db 20db FTTH optical 10pcs (2db) online on Amazon.ae at best prices. Fast and free shipping free returns cash on



### Fiber Optic Cables , Cable Assemblies , DigiKey

Fiber Optic Cable Types Fiber optic cable is designed to transmit data using light signals instead of electricity, making it faster, more secure, and immune to



### Optical Attenuators - Buying Guide & Suppliers

This optical attenuators buying guide provides technical background, comparison of major types, selection criteria, and an overview of suppliers.



### ST Male to Female Fiber Optic Attenuator

ST Fiber Optic Attenuator from Sinocomms provides defined control of optical signals in both integrated and add-on products. Depending on the project or need, fixed attenuators can limit, or attenuate, the





## ST Attenuator

Our attenuators are manufactured with high-quality doped fiber to ensure precise attenuation. Single-mode attenuators operate within a 1250-1600 nm wavelength range, covering the common 1310 nm



## ST Fiber Optic Attenuator

The ST Fiber Optic Attenuator from SHANGHAI TARLUZ TELECOM TECH. CO., LTD is a Fiber Optic Attenuator with Attenuation 1 to 30 dB, Return Loss >55 to

## Fiberdyne Labs, Inc. ST/UPC Attenuators

Purpose: To describe the Fiberdyne Labs fiber-optic, fixed, single-mode attenuator with ST/UPC connections. Description: Fiberdyne Labs manufactures premium fixed optical attenuators.



## Fiber Optic Attenuators Suppliers

Find 275 Fiber Optic Attenuators suppliers with GlobalSpec. Our catalog includes 106,451 manufacturers, 20,792 distributors and 94,628 service providers. The GlobalSpec database includes



## Attenuator ST-ST

When a cable end is inserted into the female end, the remaining male end can be connected to the equipment where the cable would otherwise connect directly,



## fiber optic LC to ST Single Mode 3dB Attenuator Networks application

Specification: Products Pictures other types pictures: our company Shenzhen industry co.,Ltd focuses on optical communication products with research,development,production and marketing of high-tech

## Fiber Optic Attenuator Single mode Fixed Type LC SC FC ST Supplier

Our Male to Female Optical Attenuators are available in all fiber connection types with LC, LC/APC SC, SC/APC, FC, FC/APC and ST types. The In-line Attenuator is custom manufactured to meet the



## Precision Fiber Products, Inc. , Leading Fiber Optic

Precision Fiber Products, Inc. offers a wide range of fiber optic products. We specialize in fiber optic interconnect components, including fiber optic cables,



## Contact Us

---

For datasheets, pricing, or custom telecom energy solutions, please visit:  
<https://www.koskolong.co.za>