



**Adam Tas Corridor Energy**

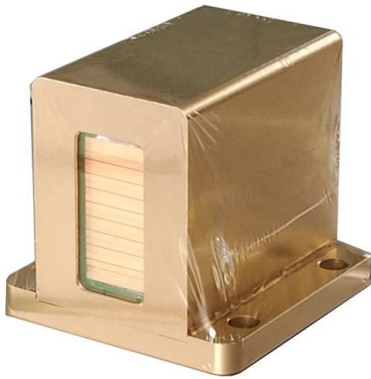
# **Safety Supervision Bureau Special Electrical Relay Protection**





## Safety Supervision Bureau Special Electrical Relay Protection

---

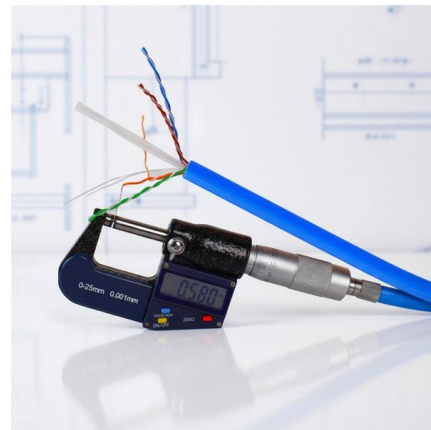


### Trip circuit supervision relay - Diagram, Working Principle

If the supervision relay is operated or triggered, it should attend immediately by Protection Engineer. trip circuit supervision relay Diagram & Working Principle of Trip Circuit Supervision Relay

### Protection Application Handbook

Principles for sub-division of the protection system for higher voltages. The booklet gives a basic introduction to application of protection relays and the intent is not to fully cover all aspects.



### Protection Relay and Supervisory Control Systems (MELPRO Series)

Protection and supervisory control systems are indispensable for ensuring stable operation of power network. Applying advanced IT technologies and sensors, protection relays provide high-speed fault



### SEL-751 Feeder Protection Relay , Schweitzer

The SEL-751 Feeder Protection Relay is ideal for directional overcurrent, fault location, arc-flash



detection, and high-impedance fault detection applications.



## Supervision & Signalling

While Supervision relays are applied for the supervision of trip circuits and trip coils of circuit breakers, Signalling relays are used to provide a visual indication of the

## Voltage relay SPAU 330 C

The voltage relay SPAU 330 C is intended for over- and undervoltage supervision of the busbar phase-to-phase voltage as well as for supervision of the residual voltage of the distribution network in your



## CT Supervision Relay Testing Checklist

Comprehensive CT Supervision To ensure system reliability and protection, follow the Relay Testing Checklist, which includes mechanical checks,



## ES337

Document converted into new template and updated throughout to reflect details of protection panels, relays and schemes currently in use. The copyright of this document, which contains information of a



## Static Trip Circuit Supervision relay TCS

The supervision relay type TCS is intended for a continuous supervision of circuit breaker trip circuit and gives an alarm for loss of auxiliary supply, faults on the trip coil or its wires independent of the

## Microsoft Word

Under the general supervision of the Manager - Substation & Relay is responsible for providing engineering support and direction in the design, construction, improvement, maintenance and



## CT Supervision Relay Working Principle

Protection CT Supervision Relay Working Principle CT supervision Relay Working Principle: In last study about high impedance differential protection, we have



## Step-by-Step Procedure to Test Trip Circuit Supervision

Use this step-by-step procedure to test the trip circuit supervision relay. With thorough processes and experienced advice, you can ensure the

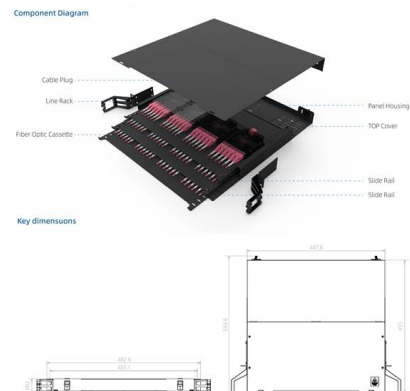


## User's Manual and Technical Descriptio

To prevent the supervision relay from providing spurious alarm signals, for instance, at circuit breaker operation, the measuring current of the control circuit is routed so as to bypass the break contact

## The true art of control, monitoring and protection

The art of control, monitoring and protection functions provided by Substation Automation Systems (photo credit: Warna RS Sdn. Bhd.)





## Power System Protective Relays: Principles & Practices

Protective relays and devices have been developed over 100 years ago to provide "lastline" of defense for the electrical systems. They are intended to quickly identify a fault and isolate it so the balance of



## Home

P& B is a leading UK innovator of electrical protection, safety and control technologies. Our specialist expertise and unrivalled experience is relied upon in heavy industries throughout the



Ordering information

NO.	1	2	3	4
Model	P5000	P5000	P5000	P5000
Product name	Patch Panel	Patch Panel	Patch Panel	Patch Panel
Illustration				
NO.	1	2	3	4
Maximum number of cores	96	192	384	576
Product size (including mounting and accessories)	482.0*208.7*43.2mm	482.0*208.7*86.4mm	482.0*208.7*139.2mm	482.0*208.7*172.8mm
Standard color code	9A/9005	9A/9005	9A/9005	9A/9005

## How to use Lockout Relay (master trip relay) in

Practical applications of lockout relays on mainstream switchgear and protection and adaptations in modern digital power substations.

## Trip circuit supervision relay

The supervision relay type TCS is intended for a continuous supervision of circuit breaker trip circuit and to give an alarm for loss of auxiliary supply, faults on the trip-coil or its wires independent of the



### Reyrolle AC/DC Supervision Relay

These features keep the relay in the operating condition during a temporary decrease in the battery voltage. For example, during a busbar fault when the trip relays operate simultaneously, this avoids



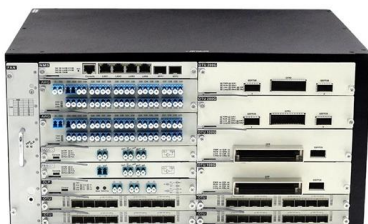
### FIST 3-8-March18-2010

Operation, Maintenance, and Field Test Procedures for Protective Relays and Associated Circuits Hydropower Technical Services Group U.S. Department of the Interior Bureau of Reclamation



### User's Manual and Technical Descriptio

The supervision relay detects interruptions, too high resistances caused by galvanically bad connections, increased transfer resistance in the contacts, welding





## Trip Circuit Supervision

Trip Circuit Supervision Defined: Trip circuit supervision relay is an essential system in electrical circuit breakers that monitors and ensures the



- ✓ TELECOM CABINET
- ✓ BRAND NEW ORIGINAL
- ✓ HIGH-EFFICIENCY



## Protective Relays

Protect critical components in your power system with a wide range of SEL protective relays covering applications and use cases from low to high-voltage protection.

### Trip circuit supervision relay SPER 1B1 C4

The trip circuit supervision relay SPER 1B1 C4 is used for supervising important control circuits such as circuit-breaker and disconnector control circuits and signalling circuits in power electrical installations.



## Contact Us

For datasheets, pricing, or custom telecom energy solutions, please visit:  
<https://www.koskolong.co.za>