



Adam Tas Corridor Energy

Saudi Arabian Optical Core Router QSFP28





Saudi Arabian Optical Core Router QSFP28



100G QSFP28 Cable and Transceiver Modules Data Sheet

computing networks, enterprise core and distribution layers, and service provider applications. The QSFP28- 100G modules are our latest generation of 100G transceiver modules

100Gbps QSFP28 Optical Modules

100Gbps QSFP28 Optical Modules QSFP-100G-CWDM4 QSFP28-100G-LR4 QSFP28-100G-SR4 QSFP-100G-4WDM-40 QSFP-100G-CWDM4-ISP QSFP-100G-CWDM4-Lite QSFP-100G-ER4



Optical Transceiver: SFP vs SFP+ vs QSFP28 vs QSFP-DD

Compare SFP, SFP+, QSFP+, QSFP28, and QSFP-DD optical transceivers. Learn differences, speeds, and best use cases for data center networks.

HPE 100GbE QSFP28 to QSFP28 5m Active Optical Cable

[Back to Shop Options Transceiver Options](#)
[Networking Transceiver Options HPE Networking](#)



Transceiver Options HPE 100GbE QSFP28 to QSFP28 5m Active Optical Cable Image may differ

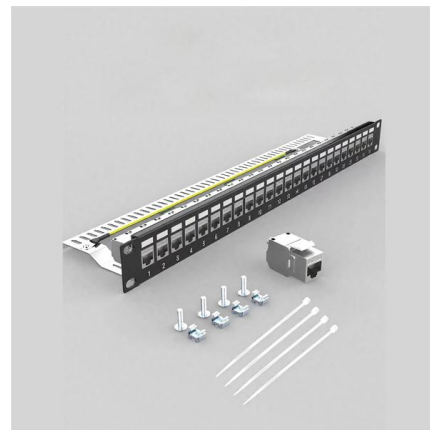


Transceivers Explained: SFP vs SFP+ vs SFP28 vs QSFP+ vs QSFP28

ProLabs delivers high-quality, rigorously tested, and fully compatible optical solutions. Understanding the differences between SFP, SFP+, SFP28, QSFP+, and QSFP28 is key to building

100G QSFP28 - Optcore

Optcore 100G QSFP28 transceiver offers many variants like 100GBASE-SR4, IR4, LR4, ER4, ZR4, CWDM4, PSM4, DR, FR and BiDi. It is ideal for 100G Ethernet,



A Deep Dive into the QSFP28-100G-ZR4 Optical

QSFP28-100G-ZR4 transceiver enables 100G data transmission up to 80km using single-mode fiber, ideal for long-distance, high-speed network





HPE Aruba Networking 200G QSFP-DD to 2x QSFP28 100G 30m Active Optical

HPE Aruba Networking 200G QSFP-DD to 2x QSFP28 100G 30m Active Optical Cable

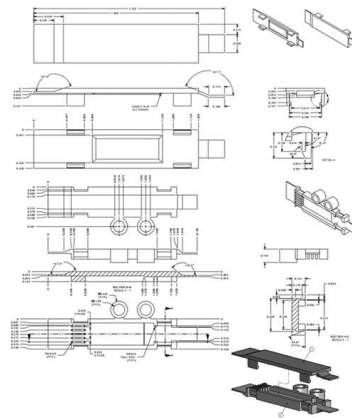


Ubiquiti UACC AOC QSFP28 5m Active Optical Cable, 100G QSFP28 to QSFP28

Ubiquiti UACC AOC QSFP28 5m Active Optical Cable, 100G QSFP28 to QSFP28 Buy Online with Best Price. Express delivery to Saudi Arabia, Riyadh, Jeddah, Medina, Dammam, Mecca

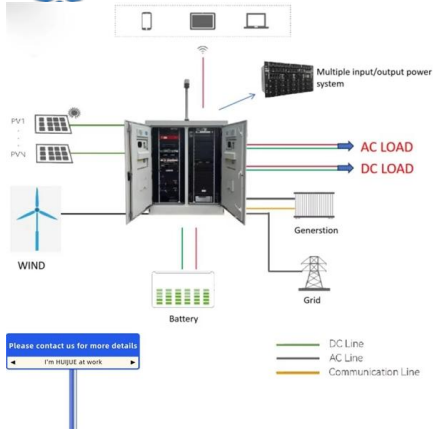
100Gb/s QSFP28 Active Optical Cables (AOC)

Amphenol's 100G QSFP28 optical modules include SR4, AOC, AOC break out, CWDM4, LR4, ER4 Lite, ER4 and ZR4 series, which adopt LC or MPO



HPE Aruba Networking 100G QSFP28 to QSFP28 2m Active Optical

*All pricing displayed is indicative; the reseller sets the final transactional price and may include other fees such as sales tax/VAT and shipping. The transactional price set by the reseller may vary from



HPE Aruba Networking 100G QSFP28 to QSFP28 15m Active Optical

All pricing* displayed is indicative; the reseller sets the final transactional price and may include other fees such as sales tax/VAT and shipping.

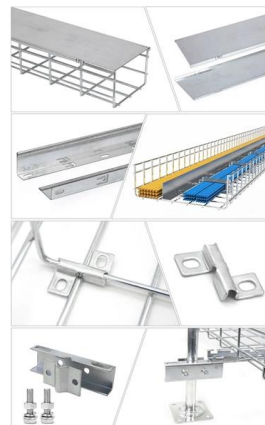


QSFP28 100G: Interoperability with 40G, 25G, & 10G

How to Run 40Gbps on QSFP28 100G Port 100G QSFP28 interface should accelerate to the comparable 40G and function with 40G QSFP+ optics if

QSFP28 optical transceivers , Smartoptics

QSFP28 are part of Smartoptics's hot-swappable small form-factor family of optical transceivers and cables.





QSFP, QSFP+, and QSFP28: What You Need to Know

If you're looking for the most advanced optical module package on the market, look no further than QSFP. QSFP+ and QSFP28 are the two latest



QSFP28 SR4 Optical Transceiver Module Overview

Explore FS QSFP28 SR4 optical transceiver with low power consumption, perfect compatibility, and reliable performance for efficient data



100G QSFP28 Explained: Key Features, Applications,

As data centers, cloud computing, and enterprise networks demand higher bandwidth and faster data transmission, the 100G QSFP28 transceiver

The Ultimate Guide to QSFP Cables , Types, Benefits

Explore the ultimate guide to QSFP cables. Learn QSFP types, differences from SFP, installation methods, and benefits for high-speed data



Everything You Need to Know About MikroTik QSFP28

Discover everything about MikroTik QSFP28 modules and routers, including transceivers, Ethernet solutions, and the best direct attach cables for



Intel® Ethernet QSFP28 Optic

The QSFP28 SR4 transceiver is a high-performing module for SR optical links over OM4 MMF, and is ideal for short-range, multi-lane data communication, and interconnects applications. The QSFP28



MikroTik CRS504-4XQ-IN Cloud Router Switch, 650MHz, 4x QSFP28

We offer the best price for MikroTik CRS504-4XQ-IN Cloud Router Switch, 650MHz, 4x QSFP28 Ports, Compatible 40G/25G/10G/1G Fiber, 25W Power, White , CRS504-4XQ-IN in Saudi Arabia.



HPE QSFP28 to 4x25Gb SFP28 15m Active Optical Cable

[Back to Shop](#) [Options Transceiver Options Networking Transceiver Options HPE Networking Transceiver Options HPE QSFP28 to 4x25Gb SFP28 15m Active Optical Cable](#) Image may differ



HPE Aruba Networking 100G QSFP28 to QSFP28 7m Active Optical

[Back to Shop](#) [Options Transceiver Options Networking Transceiver Options HPE Networking Transceiver Options HPE Aruba Networking 100G QSFP28 to QSFP28 7m Active Optical Cable](#)

QSFP28 vs QSFP+ Compatibility Guide , EDGE Optical

Learn QSFP28 and QSFP+ compatibility rules. QSFP28 ports support QSFP+ modules backward compatibility, but not forward. Essential networking



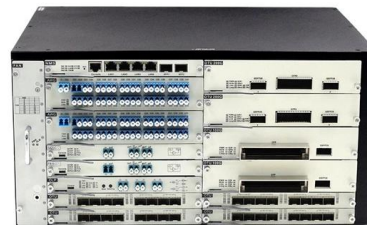
Cisco QSFP28 100G ZR Digital Coherent Optics Module

Product overview The Cisco QSFP28 100G ZR module expands the portfolio of digital coherent optics (DCO) modules to connect QSFP28 ports. Leveraging ITU-T standard compliant staircase FEC and



The Ultimate Guide to Cisco QSFP28 Transceiver Modules for 100G

Discover the wide range of high-density and low-power 100G Ethernet connectivity options offered by Cisco's QSFP28 transceiver modules for data center and high-performance computing



Cisco QSFP28 100G ZR Digital Coherent Optics Module Data Sheet

This DCO module is tunable across C-band. The module is compatible with widely deployed ports of QSFP28 100G and 100GBASE ER CAUI-4 client interfaces. Its maximum

Overview of QSFP28 LR4 Optical Transceiver

Discover FS's QSFP28 100G LR4 optical transceiver, offering low power consumption, perfect compatibility, and reliable long-distance performance





Contact Us

For datasheets, pricing, or custom telecom energy solutions, please visit:
<https://www.koskolong.co.za>