



**Adam Tas Corridor Energy**

# **Sheet metal thickness of distribution box**





## Overview

---

Therefore, the thickness of the sheet metal of the cabinet body of the power electrical distribution box is usually not less than 1. ABB Mini Center Compact distribution board is the basis for development and growth in meeting all the demands for a successful future in residential. In North America, we measure it in two ways: While Europe and Asia primarily use the metric system, thus millimeters (mm).



## Sheet metal thickness of distribution box

---

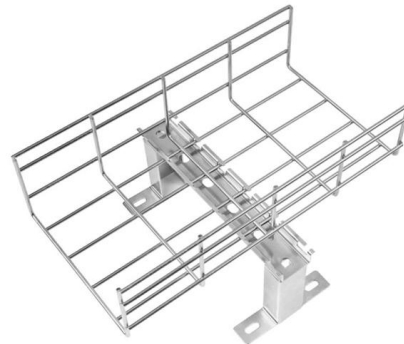


### TECHNICAL SPECIFICATION I.R.O. 63,100,160 & 315 KVA

8.1 The Box & Doors shall be made up of CRCA MS sheet of 2mm thickness. 8.2 The manufacturing process of Box shall be Deep Drawn process. Rounding of corners and slope on Top shall be as shown in

### TECHNICAL SPECIFICATION FOR LT DISTRIBUTION BOX

KV 1. DESCRIPTION OF MATERIALS:- The L.T. Distribution Cabinets shall be installed on D.P. Structure for Plinth Mounted 33/4 KV Substation of the ratings indicated above. These Distribution



### Sheet Metal Thickness & Gauge Guide: Charts,

Master sheet metal thickness with ShincoFab's complete gauge charts. Convert gauges to mm/inches for Steel, Aluminum & Stainless, and avoid

### Distribution Box

Metal Distribution Box Features Continuously welded seams  
Foam-in-place seamless gasket  
120-degree opening heavy-duty industrial hinges



IP66 protection rating against dust and water according



### Sheet Metal Enclosure Design Guide: Best Practices

Learn how to design durable, cost-effective sheet metal enclosures. Discover material choices, cooling strategies, and tips for manufacturing and compliance.

### BioPreferred

I buy for the federal government Federal law, the Federal Acquisition Regulation, and Presidential Executive Orders direct federal agencies and their contractors to



### Electrical Enclosure Design and Fabrication

Penn Panel & Box Company's custom sheet metal electrical enclosures for switchgear and panelboards are designed and fabricated in house.





## The Impact of Sheet Metal Thickness on Distribution Box Customization

An example of where the thickness of the sheet metal of the distribution boxes can play a big role in how strong and effective they can be. By contrast, thicker sheet metal can significantly strengthen the



### What are the criteria for selecting the thickness of the sheet metal

Therefore, the thickness of the sheet metal of the cabinet body of the power electrical distribution box. is usually not less than 1.5mm. For some power electrical distribution boxes with

## Catalogue 2022

alfanar Junction Boxes are designed and manufactured from steel sheet with a thickness of 0.9 mm up to 1.1mm to provide excellent durability and mechanical properties during installation and throughout



### Specific design requirements for distribution box.

Metal part of distribution box and cabinet: including the installation board, bracket and metal shell of electrical appliances, which are all well grounded. Electrical appliances are installed at the door and



## Metal Enclosure Design Tips , Metal Thickness , Maysteel

For this month's enclosure design tips, we reviewed how to measure the thickness of various metals, and why it's important to choose the proper thickness for your



## An Ultimate Guide for Metal Distribution Boxes

This article guides readers to know advantages of metal distribution box compared with plastic ones and safety measures are also included.

## Metal Distribution Box,MDC Series,Sieben Group Co., Ltd.

Application MDC series metal distribution boxes are designed for safe, reliable distribution and control of electrical power as service entrance equipment in



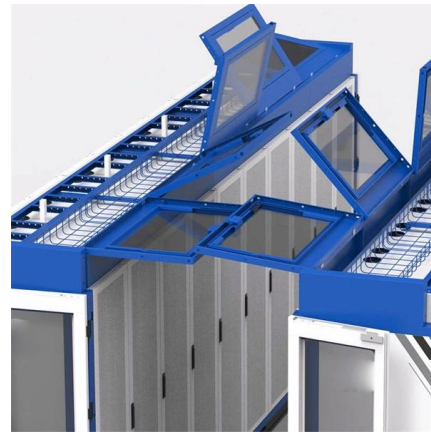
## Himel Metal Enclosure Distribution Box Brochure Sep 2023

Metal Clad Distribution Box & IP54 Metal Enclosures Reliable, affordable accessible Metal Clad Distribution Box Product features o Easy installation design with cable entry from top, bottom & back o



## OEM Sheet Metal Distribution Box

Industrial Distribution Box Manufacturing & Custom Solutions As a leading OEM Sheet Metal Distribution Box manufacturer, we specialize in custom



## Wall distribution box

The cabinets are made of self-supportive structure, which is welded from a steel sheet of thickness 1.5 mm. The door opening is provided with a bypass groove

## Mastering Sheet Metal Box Design: Essential Tips and

This article delves into the basics and best practices of mastering sheet metal box design, providing readers with the right skills for making efficient,





## NEC Reference Metallic Boxes

NEC® Reference Article 314 of the National Electrical Code® covers the installation and use of boxes. The article includes table references that guide the electrician in the selection of the proper box size

## What gauge steel is used for the standard NEMA 1 I-Line panel

Issue: For Nema 1 I-line panel enclosures, What is the gauge of steel used? Product Line: I-line panelboards Environment: Products sold and used in the United States Cause: Product



## Sheet Steel Distribution Box

Sheet Steel Distribution Box dari MaxiBox by PT Triyasa Mitra Engineering adalah enclosure listrik berbahan Mild Steel (SPHC) dengan ketebalan 1.2-2.0 mm,

## Fiber Distribution Box

Overview The PPC Fiber Distribution Box is a multi-purpose, robust enclosure made with high-grade industrial plastic. The box can be used as a 16-core splitter enclosure or distribution unit based on



## Sheet Metal Enclosure Design Guide: Best Practices

To help guide you through the considerations and steps to designing a sheet metal enclosure, we've created a simple walkthrough on how to weigh the various



## METAL DISTRIBUTION BOX

METAL DISTRIBUTION BOX VM-DBM range of surface type metal distribution boxes or metal clad consumer units are available in up to 13\* different sizes to suit your needs.



## Comprehensive Guide to Tinplate Boxes: Usage,

Tinplate box uses Mainly used in the production of food packaging iron boxes and cans, because tinplate combines the strength and formability of steel





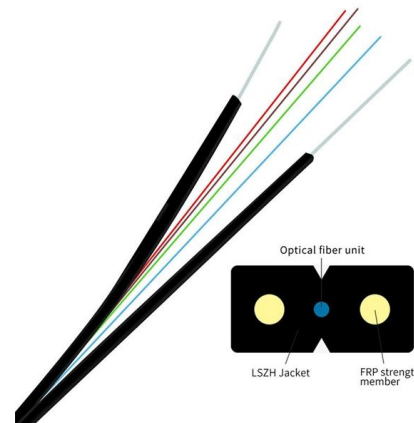
## Sheet Metal Thickness Guide: Charts, Standards

Choosing the wrong thickness can lead to material failures (too thin) or overengineering (too thick), resulting in excess costs, weight and more. In this



## Boxes, Enclosures, and Accessories Materials Selection

The wall of a malleable iron box or conduit body and a die-cast or permanent-mold cast aluminum, brass, bronze, or zinc box or conduit body shall not be less than



## ASTM International , ASTM

Over 13,000 ASTM standards operate globally. Defined and set by us, they improve the lives of millions every day. ASTM provides the standards and solutions you

## Contact Us

For datasheets, pricing, or custom telecom energy solutions, please visit:  
<https://www.koskolong.co.za>