



Adam Tas Corridor Energy

Single-mode fiber optic hop





Single-mode fiber optic hop



Single-Hop and Multihop WDM Optical Networks

These networks are of two types - single-hop and multihop. In single-hop network only one via is used for the establishment of connection, whereas in multihop

C2G

Shop C2G 30 125 01M 3 meters SC SC 9/125 OS2 Duplex Single Mode PVC Fiber Optic Cable TAA Compliant Yellow products at Best Buy. Find low everyday prices and buy online for delivery or in



Fiber Optic Wall Mount Box with LC Couplers for Single

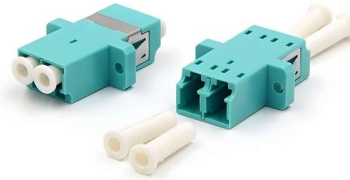
Elevate your network connectivity with our Fiber Optic Wall Mount Box featuring LC Couplers. This high-performance enclosure supports Single Mode and Multimode

Modal Interference and Modal Noise in Single-mode Connectors

Figure 1: Two-joint, "single-mode" fiber system that generates modal interference. Because



modal interference is a function of wavelength, loss in a connector with a short fiber stub becomes periodic



Single-Mode Optical Fiber

Dual-mode optical fiber having a larger core diameter than single-mode optical fiber, without sacrificing bandwidth, was proposed as an alternative to single-mode optical fiber.

The Ultimate Guide to Single Mode Fiber

In this comprehensive guide, we will explore the principles, characteristics, and applications of single mode fiber, as well as best practices for designing and implementing single mode fiber networks.



Amazon : 3FT SC/APC to SC/APC Fiber Optic Cable, Armored Single Mode

Premium Armored Fiber Optic Cable: This 1m SC/APC to SC/APC armored cable features stainless steel protection and LSZH jacket, ideal for pet-prone homes while delivering reliable 9/125mm single



5 Meters 4 Core Industrial TPU LC to LC Outdoor

About this item 4 Core Single Mode LC Industrial Armored TPU Fiber Optic Patch Cable: Industrial TPU Jacket features strong tensile strength, high abrasion



MPO Single-Mode Fiber Patch Cords: OS1 and OS2

These pre-terminated cables consolidate multiple fibers (typically 12 or 24) into a single compact connector, enabling efficient deployment in space

Qioptiq iFLEX-IRIS Compact Single-Wavelength Fiber-Coupled Laser

The Qioptiq iFLEX-IRIS is a compact, single-wavelength, fiber-coupled diode laser system engineered for precision optical instrumentation and laboratory integration. Based on solid-state semiconductor



Single Mode Fiber Optic Cable

Types of Single Mode Fiber Optic Cable A single mode fiber optic cable is a high-performance transmission medium designed to carry light signals over long distances with minimal signal loss.



LC-LC Single Mode Fiber Optic Patch Cord Cable 1-mth Warranty

LC-LC Simplex Single Mode Optical Fiber Patch Cord Cable LAN CCTV FTTH - 1m 2m 3m 5m 10m 20m 30m Main Features o Low insert loss o Excellent repeatability o Perfect interchangeability o High



Basic Components of a Fiber Optic Cable - trueCABLE

This article examines the key components that make up a fiber optic cable including the core, cladding, coating, strengthening fibers and cable jacket.



OM3 Fiber Patch Cable Family

Sanoxy

Elevate your network's performance with our premium OS2 Duplex Single-Mode Fiber Optic Cable. This advanced cable is designed for long-distance, high-speed data transmission, making it ideal for



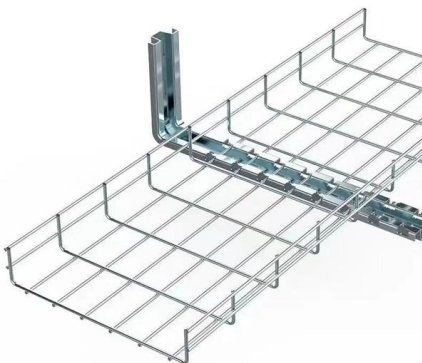


1x4 Single Mode Fiber Optic Couplers

Mount to an Optical Table with the FCQB Mounting Base (Available Below) Contact Us for Custom Wavelength, Coupling Ratio, and Connector Options Thorlabs'

Single-mode optical fiber

In fiber-optic communication, a single-mode optical fiber, also known as fundamental- or mono-mode, is an optical fiber designed to carry only a single mode of light

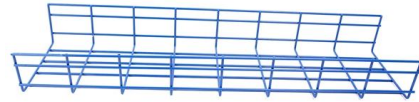


1x16 Single Mode Fiber Optic Splitters

Mount to an Optical Table with the FCQB Mounting Base (Available Below) Thorlabs' Single Mode 1x16 Fiber Optic Planar Lightwave Circuit (PLC) Splitters allow a

Orei 4K@60hz HDMI(TM) Extender (Over 1G IP, Loop, IR) 40km (single fiber)

It supports up to 4K@60Hz video resolution up to 40Km over a single mode fiber optic cable. It utilizes Ip color STREAM technology to ensure high-definition transmission with minimal latency. The



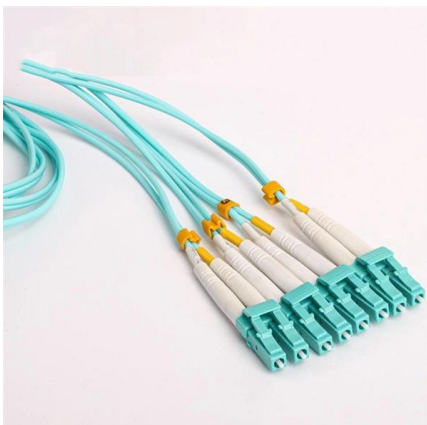
From standard 1U to 8U sizes to fully customized Non-standard enclosures.

Fiber Optic Pigtail SC APC, 12 Strand Single Mode Fiber Color Coded

Fiber Optic Pigtail SC APC, 12 Strand Single Mode Fiber Color Coded Cable Versatile Application Plug And Play High Accuracy For Communication System Description Engineered for professional-grade

Single Mode vs. Multimode Fiber Optic Cables

There are two main types of fiber optic cables: single mode and multimode. Although they can do the same job in some instances, the different



FLYPROFiber

FLYPROFiber- OS2 LC to LC Outdoor Armored Fiber Optic Cable, Duplex Single Mode Fiber 1G/10G 9/125um Industrial TPU Uniboot LC with Pulling Eye Kit Installed on one end, OD-5mm, 50m/164ft



FLYPROFiber

Experience unmatched speed and performance with this advanced fiber optic cable. Easy Installation and Connectivity--- The OS2 LC 6-core outdoor armored fiber



AddOn Networks 5m LC OS2 Single-Mode Fiber Optic Patch Cable

Connect your network with this AddOn Networks LC OS2 fiber optic patch cable. Designed for single-mode (OS2) applications, it features LC connectors and a 5 m yellow cable length--ideal for

ipolex Gigabit Single-Mode LC Fiber to Ethernet Media

About this item Seamless Conversion of LC Fiber to Copper - This fiber optic to ethernet media converter kit includes a single mode 1000BASE-LX SFP module (1310nm), which enables you to convert 1000BASE-LX Duplex LC fiber to 10/100/1000 Base-T RJ-45 copper media or vice versa.



Sanoxy 2m OS2 LC/UPC TO SC/APC Duplex Corning High

Elevate your network's performance with our premium OS2 Duplex Single-Mode Fiber Optic Cable. This advanced cable is designed for long-distance, high-speed data transmission, making it ideal for



Fiber Optics: Understanding the Basics

Fiber types There are primarily three categories of optical fiber: single mode, multimode graded index, and multimode step index. These types differ in the



Single-Mode Cabling Options for Data Centers

Single-mode optical cable has emerged as the attractive choice for fiber optic data centers due to its capacity to transmit signals over long distances, its flexibility in confined spaces,

Single Mode vs Multimode Fiber - Distance,

Learn the key differences between single mode vs multimode fiber optic cables, including core size, distance, bandwidth, and cost. Find out which





Multimode vs Single Mode Fiber Optic Cables: A Complete Guide to

Learn the differences between multimode (OM1-OM5) and single mode (OS1-OS2) fiber optic cables--speed, distance, applications, and how to choose the right one for data centers and

Contact Us

For datasheets, pricing, or custom telecom energy solutions, please visit:
<https://www.koskolong.co.za>