



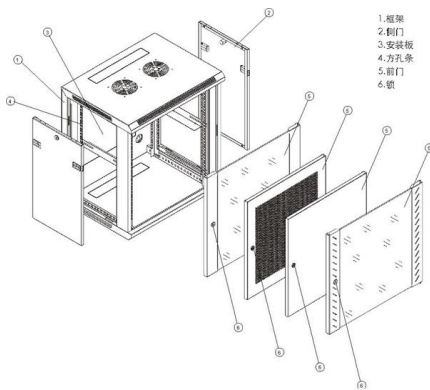
Adam Tas Corridor Energy

Southeast Asia Telecommunications Cable Tray Accessories





Southeast Asia Telecommunications Cable Tray Accessories



Cable Tray Systems - Globe Electricals

'Cable Tray System' is an assembly of formed metal sections, coupled together by splice plates to provide an economical and rigid structure for supporting a wide

Cable Trays Market

Analyst Opinion Production Capacity Enhancements: The overall industry shows a notable increase in production capacity across emerging



FOR EMAIL LOW RESOLUTION

Outside Return Flange Cable Trays are produced with flanges returning towards outside of the tray. These tray systems are produced for Medium, Heavy, Extra Heavy and Double Extra Heavy Duty

Top 8 Cable Tray Manufacturers in Africa

Africa's cable tray industry has been growing rapidly, driven by increased infrastructure development in telecommunications, energy,



Cable Tray Market Share, Demand & Growth by 2034

Cable Tray market is expected to grow to US\$ 8.77 billion by 2034, growing at a CAGR of 6.81%. Explore size, trends & future scope.



Perforated Cable Tray Covers, FRP Gratings, Manufacturer

We are Manufacturer, Supplier, Exporter of our product range: FRP Cable Trays, Perforated Cable Trays, Ladder Type Cable Trays, Cable Tray Accessories, Cable Tray Ducts or Trunking, Cable Tray



Cable Trays In Asia

Applications of Our Cable Trays Our cable trays are ideal for various applications, including: Power plants and industrial facilities Data centers and telecommunication rooms Commercial buildings and





Wire mesh cable tray

Wire Mesh Cable Tray Solid Stainless Steel Cable Basket Tray is specially used for various cables in Telecom, Netcom, radio and television into the terminal



Cable Trays & Accessories , Cable Management Systems , MEP

Types Overview and Components SFSP cable trays and accessories from SFSP are manufactured from steel sheets in accordance with BS EN 10130/BS EN 10131/ BS EN 10051, complying with BS EN

Galvanized Cable Tray Market Report , In-Depth Analysis 2035

Key Market Trends Insights o The Global Galvanized Cable Tray Market is projected to grow at a CAGR of 5.4% from 2025 to 2035, driven by the rising demand for efficient cable management solutions in

190X95X25mm



Industrial Cable Trays Malaysia , NK Synergy

NK Synergy offers a wide range of cable trays, including perforated, ladder, wire mesh, and FRP trays. Designed for durability and adaptability, our trays are ideal



Sai Cable Tray

High-quality cable tray accessories for secure, organized, and efficient cable management in any environment. Durable earthing strips providing superior

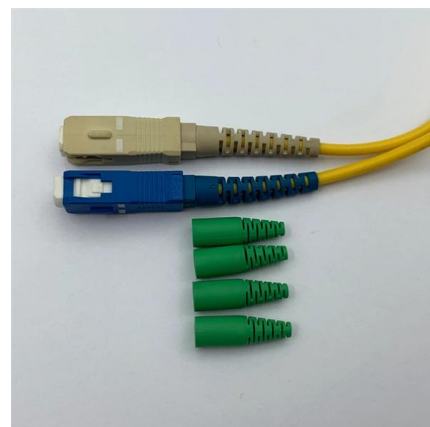


Top Cable Tray Manufacturers in Asia Across Key Markets

Discover the leading cable tray manufacturers in Asia, including top companies from Indonesia, China, Malaysia, Vietnam, and the Philippines. Learn

2026 Southeast Asia Cable Trays Export Strategy White Paper

Based on our comprehensive analysis of market dynamics, compliance requirements, and buyer preferences, we recommend a three-phase strategic approach for Southeast Asian cable tray





Industrial Cable Management Tray Supplier Singapore

Browse our range of electrical cable management trays of all sizes & types in Singapore. Buy wire mesh trays, steel trays & more. Free next-day delivery.

Metal Cable Support System

A Cable Tray, Ladder and Trunking Supplier in Singapore. Cable Tray and Ladder, Cable Trunking, Wire mesh Basket Tray - Comply to IEC 61537 and NEMA VE-1



Sai Cable Tray

Our cable trays provide reliable support for extensive network cables, featuring corrosion-resistant, powder-coated finishes for durability. Designed for easy

ASIAN ANCILLARY CORPORATION , Supplier

M/s N ANCILLARY CORPORATION (AAC) is a manufacturer of Cable Trays, Cable Ducts, GI Strips and their Accessories.



Best 5 Cable Tray Manufacturers in China

Discover the top cable tray manufacturers in China, offering a range of high-quality products for industries such as construction, energy, and

Cable Tray Accessories , Hangers, Supports & Fittings

Shop cable tray accessories including hangers, elbows, covers, and supports. RS Philippines offers durable fittings for industrial cable management systems.



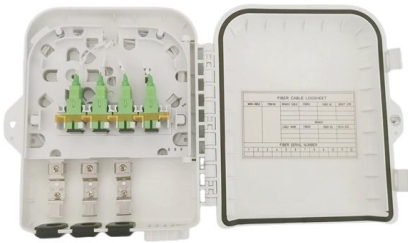
Aoke Southeast Asia

Install AOKE Adjustable Cabel Tray at the bottom of your desk to keep your desk organized. Carbon steel with baking varnish holds up to 18lbs, anti-rust. The holes at the bottom make it easy to thread



Industrial Cable Management Tray Supplier Singapore

Cable trays are a fundamental component of modern cable management systems, designed to safely support and organise electrical cables and wires. Typically



Cable Tray In Asia, Cable Tray Manufacturers Suppliers Asia

Galvanized Cable Tray As part of our excellent Cable Tray Range, we are proud to offer super strong Galvanized Cable Trays. These specially tailored Galvanized Cable Trays are manufactured using

Cable Tray Market Share, Size & Growth Outlook to 2030

The cable tray market in Asia-Pacific is expected to witness growth in the coming years, primarily driven by a robust construction sector. Rising



Cable Support Systems - Cableman Pte Ltd

From cable clamps and hangers to connectors and fasteners, our comprehensive selection of accessories ensures secure cable routing and easy system maintenance. Our accessories are



Cable Tray Market Analysis, Size, and Forecast 2025-2029:

Cable Tray Market Size 2025-2029 The cable tray market size is valued to increase by USD 4.11 billion, at a CAGR of 11.2% from 2024 to 2029. Growing infrastructure development will drive the cable tray



Cable tray, Ladder, wireway

Easy to install and customize, cable tray, cable ladder, wireways, channels and accessories in a wide range of materials and coating to create an effective routing



Asia Pacific Solid Bottom Cable Tray Market Readout 2025

The Asia Pacific region is a major contributor to the global solid bottom cable tray market, driven by its large manufacturing base, infrastructure development, and technological advancements.





Contact Us

For datasheets, pricing, or custom telecom energy solutions, please visit:
<https://www.koskolong.co.za>