



Adam Tas Corridor Energy

Standard diagram of exhaust fan in electrical distribution box





Standard diagram of exhaust fan in electrical distribution box



Exhaust Fan Wiring Diagram and Connection with

Here, we will see the wiring diagram of a single-phase exhaust fan that uses a single-phase AC Motor. An exhaust fan is a type of mechanical ventilation system

Exhaust Fan Layout and Specifications

Exhaust Fan Layout and Specifications The document outlines general notes and specifications for mechanical drawings, emphasizing the contractor's



Exhaust Fan Power Supply CAD Block , DWG Installation

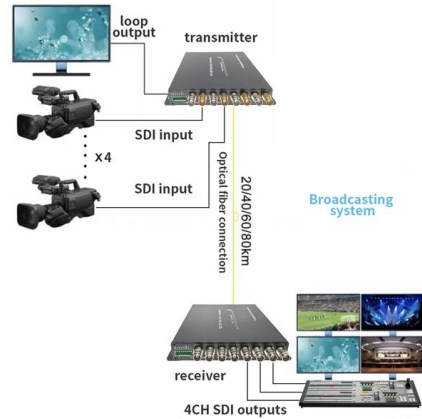
This Exhaust Fan Power Supply CAD Block (DWG) provides architects, MEP designers, and electrical engineers with precise installation details for exhaust fan

Exhaust Fan Parts Diagram and Breakdown

Explore the components of exhaust fans with a detailed parts diagram. Learn about the key



parts and their functions for maintenance and repair.



Standard Exhaust Fan Wiring Diagram - Wiring Flow Schema

A standard exhaust fan wiring diagram contains two parts: the power supply and the electrical connections. On the power supply side, the diagram shows how the fan is connected to a power

Home Electrical Wiring , Installing the Vent for a

Electrical Wiring for a Bath Exhaust Fan How to Install Bathroom Exhaust Fan Electrical Wiring - Fully Explained Photos and Wiring Diagrams for Bathroom



Home Electrical Wiring , How to Install a Bathroom

How to Install a Bathroom Exhaust Fan - the Basic Procedure Locate the power source, install the box and switch, locate and mount bathroom exhaust fan unit





Exhaust Fans - Types, Components, Design and Noise Control

Exhaust fans are generally the main source of 'natural' ventilation in enclosed spaces. Such fans not only expel stale air, but also moist air and odours, which are the main causes of indoor



Understanding the Wiring Diagram for Your Kitchen

Discover how to wire a kitchen exhaust fan with a comprehensive diagram and step-by-step instructions. Ensure proper ventilation in your kitchen and learn how to

Connecting an Exhaust Fan: A Guide with Diagram

Learn how to connect an exhaust fan with a helpful diagram. Follow the step-by-step instructions to properly install your fan for improved ventilation.



Method statement of installation of exhaust fan

Method Statement for Installing an Exhaust Fan
1. Introduction: Installing an exhaust fan is essential for maintaining proper ventilation and air quality in areas such as



Choose the Right Electrical Panel Exhaust Fan for Your

Find the right electrical panel exhaust fan for your industrial setup with our helpful tips and recommendations on our blog.



Understanding HVAC Symbols

Chapter #5 - Understanding HVAC Symbols In order to understand how to read HVAC drawings, you have to understand the road signs (HVAC

Home Electrical Wiring , Kitchen Exhaust Fan Wiring

Specific to this Electrical Question: The wiring for the exhaust fan as described in this question may not be typical or standard due to the described problem. Therefore I recommend a close evaluation of



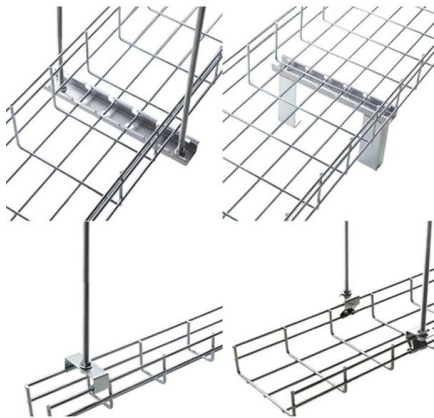
Wiring Diagram Exhaust Fan With Switch and Power

Wiring diagram exhaust fan showing power source, wall switch connection, neutral routing, and grounding used in bathroom and kitchen ventilation fan installations.



The Ultimate Guide to Understanding Fan Airflow Diagrams

Understand the concept of fan airflow diagram and learn how it affects the cooling and ventilation systems in various applications. Explore the different components and principles involved in fan

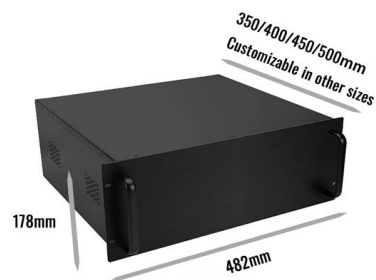


Exploring the Different Fan Schematic Symbols: A

Learn about the fan schematic symbol used in electrical diagrams and how it represents a cooling fan or exhaust fan in various circuit designs. Find out the

Exhaust fan Connection Diagram with Switch, Timer, GFCI

Exhaust fan Connection Diagram with a Switch Connecting an exhaust fan with a switch is a straightforward electrical wiring task. The purpose of the





Wiring A Bathroom Exhaust Fan Diagram - Wiring Flow Schema

While wiring a bathroom exhaust fan diagram might seem like a daunting task, the process is actually quite simple. With a few simple tools, and some basic knowledge of how to wire and connect

Exhaust Fan Wiring Diagram: Essential for Builders and Engineers

The wiring diagram of an exhaust fan, an important electrical component in construction and building services used for ventilation and air circulation.

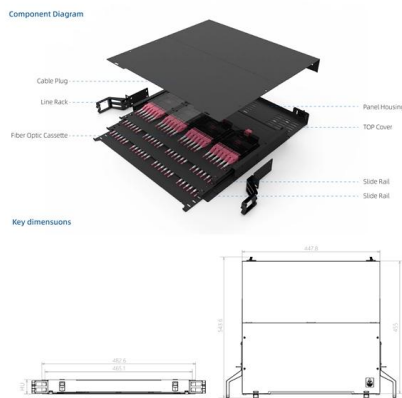


Exhaust Fan Layout and Specifications , PDF , Duct

The document outlines general notes and specifications for mechanical drawings, emphasizing the contractor's responsibility for coordination with other trades and

3 Wire Exhaust Fan Wiring Diagram and Installation

Master the safe wiring and installation of 3-wire exhaust fans. Includes circuit mapping, wire identification, and step-by-step setup.



Standard Exhaust Fan Wiring Diagram

A standard exhaust fan wiring diagram typically includes a few basic components: a power source, a switch, an exhaust fan, and the necessary wiring.

Electrical Details & Schematics

Electrical diagram for a package distribution center, including power supply, exhaust fan control, fire alarm riser, and site lighting details.



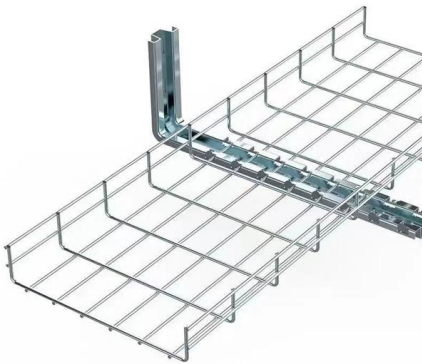
Bathroom Exhaust Fan Wiring Diagrams

This page contains wiring diagrams for bathroom exhaust fan circuits including arrangements for a single fan switch, a fan timer switch, a GFCI Combo switch



How to Properly Wire an Exhaust Fan: A Step-by-Step Wiring

Learn how to properly wire an exhaust fan using a detailed diagram. Understand the different components and connections involved in the wiring process and ensure your exhaust fan operates



Exhaust Fan Control Panel Diagram , PDF

The document contains a diagram showing the layout of an exhaust fan system. It includes labels for the exhaust fan model, its airflow capacity of 2.8 cubic meters

Bathroom Ventilation Fan Wiring Guide Bathroom exhaust vent wiring

Bath vent fan electrical wiring installation, troubleshooting, repair: How to wire a bathroom vent fan, how to install bathroom venting. How to make the proper electrical connections to wire a bathroom



Exhaust Fan Wiring Diagram (Single Switch)

Fan timer switches are an excellent alternative, see associated wiring diagrams with fan timer switches. Exhaust Fan Wiring (Single Switch) - (pdf, 849kb) [Back to](#)



Contact Us

For datasheets, pricing, or custom telecom energy solutions, please visit:
<https://www.koskolong.co.za>