



**Adam Tas Corridor Energy**

# **Storage Fiber Optic Switch Connection**





## Overview

---

The fabric is a network of Fibre Channel devices which allows communication, device name lookup,, and. We need to insert an 8G HBA fiber optic network card in the PCI-E slot, and then insert 8G FC SFP+ optical modules into the HBA fiber optic network card and the fiber channel switch, and then use duplex LC Fiber optic patch cords to connect the devices at both. A Fiber Channel SFP is a specialized optical transceiver designed exclusively for Fiber Channel (FC) networks, enabling high-speed, low-latency, and lossless data transmission in Storage Area Network (SAN) environments. Along with the higher bandwidth, the Cisco MDS 9124V switch supports ease of configuration and management, detailed and in-depth. The structure of the SAN allows any server to connect to any storage array so that the server can directly access the data it needs no matter.



## Storage Fiber Optic Switch Connection

---



### What is a Fibre Channel switch? , Definition from

A Fibre Channel (FC) switch is a networking device that's compatible with the FC protocol and designed for use in a dedicated storage area network

### Fiber Channel SFP: A Complete Guide for Storage Networks

Learn what a Fiber Channel SFP is, how it works, common FC SFP types, speeds, and how to choose the right one for SAN and storage networks.



### Application Of 8G SFP+ FC Optical Module In SAN

The SAN network adopts Fibre Channel technology, which is connected to the storage array and server host through optical switches to establish a dedicated

### SFP modules are commonly used to connect network switches, storage

SFP ports enable Gigabit switches to connect to fibers and Ethernet cables in order to extend switching functionality throughout the network.  
#sfp #networkin



## Ethernet Fiber Switch: Comprehensive Guide to Networking Power

Ethernet fiber switches are essential for building high-speed, reliable, and long-distance data networks. In the digital age, where data-intensive applications are used across almost every industry,



## Connect Multiple Switches with Fiber Optic Cables

In this video, we'll delve into the world of fiber optics, exploring the reasons behind their necessity, introducing Fiber Switches and Fiber PoE Switches, guiding you through the selection of the



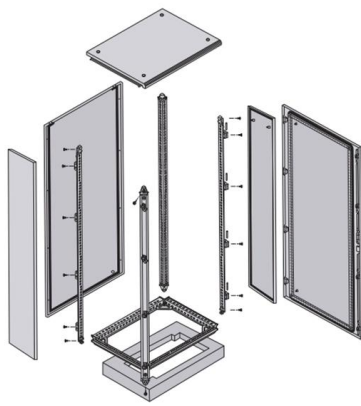
## How to Connect two PoE switch with fiber optical cable

Next connect fiber cable to the SFP module. Finally, use Ethernet patch cord to link the media converter to PoE switch. While SFP slot are not available on both side,



## 10G Multi-Mode Optical Module

SFP+ transceiver that supports 10G connections up to 300 m using multi-mode fiber with a duplex LC UPC connector.



## What Is Fibre Channel? , Enterprise Storage Forum

Fibre Channel is a high-speed networking technology used to connect servers and storage devices. Learn more about Fibre Channel and how it works.

## Everything There Is to Know about Fiber Optic Switches

The Future of Fiber Optic Switching Technology  
As global demand for high-speed connectivity continues to grow, fiber optic switch technology is evolving accordingly.



## NSComm Fiber Optic Patch Cable Installation

Follow NSComm installation guide to achieve high-speed, low-loss fiber connections. Learn fiber optic types, materials, and installation best practices.



## Unlocking the Power of Fiber Switches: A Comprehensive Guide to

That being said, a fiber switch refers to a device that helps to manage the flow of data over fiber optic connections. Owing to the fundamental functionality of these types of switches, they



## What is a Fibre Channel switch? , Definition from

FC switches connect computer data storage devices to servers and interconnect storage controllers and drives. These devices are typically added by

## Understanding Fibre Channel , Junos OS , Juniper Networks

A VF\_Port is an intermediate port in a connection between an FCoE device such as a server in the Ethernet network and a storage device in the FC SAN. FC switches that support FCoE contain at



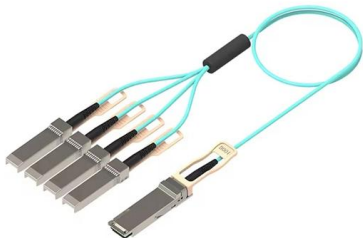
## Choosing the Right Fiber Switch for Your Server Infrastructure

A fiber switch is a key component in server infrastructure, managing data flow between servers, storage devices, and networks using fiber-optic cables. It offers faster speeds, longer



## Understanding SFP Port: A Guide to Gigabit Ethernet

Q: What is an SFP Port? A: An SFP port is an interface used in networking devices, such as switches and routers, to connect to other devices



## Fiber Optical Switch: Definition and Operation

A fiber optical switch, also known as a fiber channel switch or a SAN (Storage Area Network) switch, is a high-speed network transmission relay

## KD Tech -- High-Speed Optical Connectivity

KD Tech designs semiconductor ICs for multi-gigabit optical networking over fiber optics. Solutions for automotive, industrial, and consumer connectivity.





## Fibre Channel switch

Fibre Channel switches may be deployed one at a time or in larger multi-switch configurations. SAN administrators typically add new switches as their server and storage needs grow, connecting

## Application Guide: Connecting Fiber-ready Network

Terminate your fiber optic cabling with two LC-style connectors or purchase a pre-terminated fiber optic cable with two LC-style connectors. When connecting



## Unlocking the Potential of a Fiber Optic Switch in Modern Networks

A: Fiber optic switches can be connected to ethernet networks using media converters that allow ethernet-to-fiber connections. This will enable networks to take advantage of fiber optics'

## ITPro Today, Network Computing, IoT World Today combine

ITPro Today, Network Computing and IoT World Today have combined with TechTarget . The page you are looking for may no longer exist.



### **Fibre Channel switch**

In the computer storage field, a Fibre Channel switch is a network switch compatible with the Fibre Channel (FC) protocol. It allows the creation of a Fibre Channel fabric, that is the core component of a storage area network (SAN). The fabric is a network of Fibre Channel devices which allows many-to-many communication, device name lookup, security, and redundancy. FC switches implement zoning, a mechanism that disable



### **How Are Network Switch Connect To Fiber**

Learn how network switches connect to fiber optics for fast and reliable data transmission. Understand the benefits and considerations of this



### **Fibre Channel architecture**

The storage system supports increased connectivity with the use of Fibre Channel (SCSI-FCP and FICON®) directors. Specific details on status, availability, and configuration options that are



### **Cabling a Fibre Channel switch to a storage array in base or**

Select a fiber optic jumper cable of the appropriate length to reach from the Fibre Channel switches in the HCP rack and the storage controllers in the separate storage rack.



### **Fiber Channel SFP: A Complete Guide for Storage Networks**

A Fiber Channel SFP is an optical transceiver module purpose-built for Fiber Channel (FC) networks, enabling dedicated, high-reliability communication between servers, switches, and storage systems

### **MDS 9124V 64-Gbps 24-Port Fibre Channel Switch Data Sheet**

Large-scale SAN architectures built with SAN core directors can expand 64-Gbps connectivity to the server rack using these switches configured in either switch mode or Network Port





## **Configuring Fibre Channel Interfaces**

On Cisco Nexus 5000 Series switches, Fibre Channel capability is included in the Storage Protocol Services license. Ensure that you have the correct license installed (N5010SS or N5020SS) before

## **Contact Us**

---

For datasheets, pricing, or custom telecom energy solutions, please visit:  
<https://www.koskolong.co.za>