



Adam Tas Corridor Energy

Terminal Box Rack Installation Method





Terminal Box Rack Installation Method



6 Ways to Streamline Your Rack Installation Workflow

In the fast-paced world of network and A/V installation, delays are costly and efficiency is everything. Whether you're setting up server rooms, media closets or remote cabinets, a smooth

Pallet Racking Installation: Setup & Safety Guide , REB

Begin your pallet racking installation journey with our comprehensive guide. Discover the different types of pallet racks, understand the importance of proper



Comprehensive Guide to FTB: Installation and Maintenance

The installation steps and maintenance methods of the FTB are outlined here to assist you in understanding the safe deployment and upkeep of the FTB.

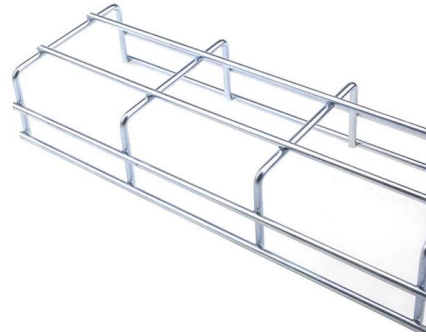


A Beginner's Guide on How To Properly Install a Server

A beginner-friendly guide explaining how to properly install a server rack for safe and



efficient data center infrastructure setup.



Methods of Selecting, Sizing, Installing, and Supporting Terminal

PURPOSE 1.1 This engineering standard defines the methods of selecting, sizing, installing, and supporting terminal boxes. SCOPE 2.1 This standard applies to all terminal box installations.



rack_install.fm

This section provides general instructions for installing the switch on top of the rack-mount support brackets. For detailed installation instructions, see the "Installing the Cisco MDS 9250i Switch



How to Choose Rack Mount Fiber Optic Terminal Box

Rack mount fiber optic terminal boxes come in different configurations. You may find them in the market with different sizes, sliding or fixing type. Among





Server Rack Installation Guide for Efficient Data Centers

Explore expert server rack installation guides to optimize your data center for efficiency and scalability. Learn tips for seamless setup and management



hubbellcdn

Hier sollte eine Beschreibung angezeigt werden, diese Seite lässt dies jedoch nicht zu.

Server Rack Cabinet Installation Checklist

A successful rack server installation guide not only helps optimize equipment performance but also ensures long term scalability and safety.



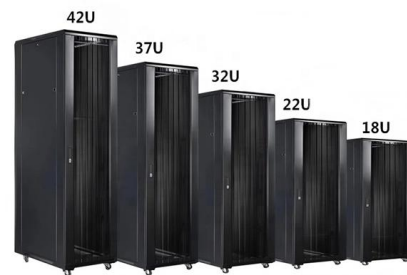
Instrumentation Cabinet Installation Method , PDF

This document provides a procedure for instrumentation cabinet, panel, rack, and junction box installation for a project in Saudi Arabia. It outlines the purpose,



Installation and fixation of communication cabinets and racks, regular

In this comprehensive guide, we will explore the importance of protecting communication cabinets and racks, with a focus on various installation methods and advanced locking mechanisms.



RACK INSTALLATION Best Practice Guide

Our role is ensuring you operate efficiently, with increased resilience. This best practice installation guide has been created to help you establish a best-in-class rack configuration that aligns with NEXTDC's

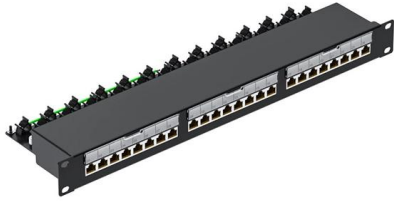
A Cabinet and Rack Installation

As a temporary or permanent support when installing a switch in a four-post EIA rack (can use to provide support during installation and then remove once rear brackets are securely attached to rack





13-SDMS-08 REV. 00 MATERIAL SPECIFICATION FOR TELECOMMUNICATION RACKS



Scope This Distribution Material Specification describes the minimum technical requirements for design, engineering, construction, manufacture, inspection, testing and performance of racks and cabinets

Network & Server Rack Setup Best Practices

Learn network & server rack setup best practices. Get tips for how to setup a server or network rack, how to layout your equipment, & enhance your



Terminal Box Installation: A Detailed Guide

The proper installation of a terminal box is a critical skill for any electrician or electrical technician. By following the guidelines outlined in this guide, you can ensure that your installations are safe, reliable,



All You Need To Know About Fiber Termination Boxes:

Installation of the fiber termination box must be done under the supervision of a skilled technician or engineer. Here are the various stages in the



A Cabinet and Rack Installation

Figure A-1 shows the installation of the shelf bracket kit into a four-post EIA rack.



Installation of Equipment Racks and Termination of Cables and Wiring

Installation of equipment racks and cubicles. Types and Installation of Signalling fuse and terminal blocks. Termination of signalling cables. Wiring of trackside equipment Wiring of internal equipment.



PRODUCT INSTALLATION

Place the terminal box on the designated zone of the wall. Once the terminal box is open and placed on the designated zone, identify the three holes that are to mark the places to drill.





Rack-Mounted Optical Cable Terminal Box

HONE modular, rack-mountable optical fiber terminal box designed to organize, splice, and distribute optical cables in 19-inch equipment racks. Ideal for data



Network Rack Installation 101 - VCELINK

In this guide, we'll see the tools you'll need, the best and proven practices for server rack setup and network rack setup, and the detailed steps

A comprehensive guide to telecom racks and cabinets

Cost-effectiveness: Telecom racks are often more cost-effective than cabinets, making them a preferred choice for smaller installations or



101 Guidelines for Fiber Termination Box

It is designed to be easily installed, maintained and managed. Featuring a compact design for wall or rack mounting, it provides a space-saving



WebiTelecomms Cabling

Setting Up a Server Rack - Server Rack Installation

If you want to learn more about the correct way of equipment installation, you'll find a network rack installation guide in this article. Server Rack



Fiber Termination Box Installation & Maintenance Guide

Learn everything about fiber termination boxes--types, installation steps, and maintenance tips to ensure reliable fiber optic network performance.

Rack installation instructions

Rack installation instructions Review the documentation that comes with the rack cabinet for safety and cabling information. Before you install the server in a rack cabinet, review the following guidelines:





How To Wire a Server and Network Rack , Tips & Best

Discover rack unit sizing, cable management, labeling, bonding, and grounding for optimal performance and reliability.

What Is the Role of a Fiber Optic Terminal Box in FTTH?

Discover the role of the Optical Fiber Terminal Box (FTB) in FTTH networks. Learn how rack-mount optical fiber terminal boxes in MDU risers and



Contact Us

For datasheets, pricing, or custom telecom energy solutions, please visit:
<https://www.koskolong.co.za>