



Adam Tas Corridor Energy

Thailand Micro Module



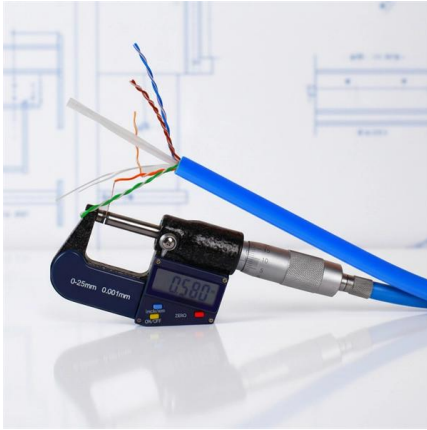


Overview

TMEC is a unique specialty foundry for customized MEMs, various other sensor using semiconductor technologies. STARS Microelectronics (Thailand) Public Company Limited, or SMT, a Thai electronic components manufacturer and. The A-series offers customizable panels with touch integration and module modifications, ensuring flexibility, durability, and reliable performance for diverse applications, including home automation, white goods, and outdoor solutions. Nearly sixty PCB manufacturers from China, Taiwan, Japan, and Hong Kong are investing in Thailand, positioning the country as a key electronics hub with production set to double in coming years. Amid shifting global supply chains and surging artificial intelligence demand, Thailand is rapidly.



Thailand Micro Module



Thailand Semiconductor Market Size, Share, 2025-2030

Thailand's semiconductor ecosystem demonstrates moderate concentration as domestic champions coexist with global majors. Hana

Infineon to start up Thai power module fab in 2026

BANGKOK -- Germany's Infineon Technologies has begun construction on a semiconductor plant in Thailand, it said Tuesday, part of a push to diversify its



Micro SD Card Module ?????? Arduino

Micro SD Card Module ?????? Arduino Nodemcu
??? ????? ?????
??!!!!!!!

Stars Microelectronics (Thailand) PCL o Home

STARS Microelectronics (Thailand) Public



Company Limited, or SMT, a Thai electronic components manufacturer and assembler, continues to strengthen its environmental standards by receiving the



Top 19 Semiconductor Companies in Thailand (2026)

Discover all relevant Semiconductor Companies in Thailand, including Stars Microelectronics (Thailand) and Bluechips Microhouse Co., Ltd.

???????????????????? Micro SD Card Module , Shopee Thailand

???????????????????? Micro SD Card Module
?? Micro SD Card, Micro SD Card Module ?????? Catalex ?????????????????????
??



Thailand Accelerates into Global PCB Leadership amid

Nearly sixty PCB manufacturers from China, Taiwan, Japan, and Hong Kong are investing in Thailand, positioning the country as a key electronics hub with



Infineon breaks ground on power module assembly plant

Infineon Technologies has started construction of a new highly automated backend plant in Samut Prakan, south of Bangkok for power modules.



Electronic Manufacturing Services (EMS)

We manufacture the highest quality products and continuously upgrade our capabilities to meet our customers' current and future requirements within the areas of Microelectronics "PCBA",

Bluechips Microhouse , Electronic Manufacturing

Bluechips Microhouse is a German, family-owned EMS company operating out of Chiang Mai, Thailand. For more than 20 years, Bluechips has been the contract





LONGi Provides High Efficient Modules to Koh Jik ReCharge Micro

XI'AN, China, Oct. 17, 2022 /PRNewswire/ -- LONGi, the world leading solar technology company headquartered in Xi'an, China, has partnered with Symbior Solar and Blue Solar to complete a

Thailand Hub of Talents in Microelectronic Designed - ??????????

Our vision at the Thailand Hub of Talents in Microelectronic Design (THTMD) is to become a global leader in microelectronics education, research, and innovation. We aim to be the catalyst for



Trina Solar starts ramping cell and module production in

Leading 'Silicon Module Super League' (SMSL) member Trina Solar has officially started ramping its solar cell and module assembly plant in Rayong,

Module Manufacturers & Suppliers in Thailand , Trademo

Find and discover Module manufacturers and suppliers for all products in Thailand, featuring details on their shipment activities, trade volumes, trading partners, and more.



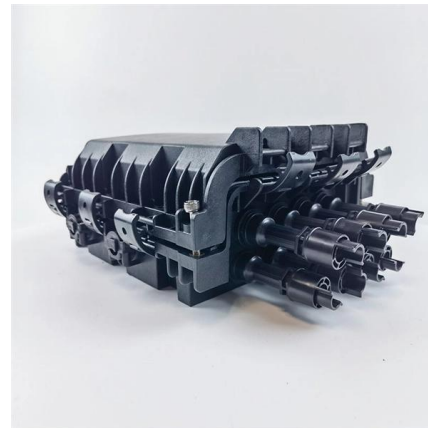
TMEC

With our clear focus on helping industrial startups to produce sensor prototypes, applications, and volume production. As a foundry, we provide manufacturing and



BETA FPV Micro Module TX V2 Module ELRS Micro TX

Micro TX V2 Module ?????????????????????? 2W RF
Output ?????????? Packet Rate ??????
200Hz ?????????????????????? TCXO
?????,



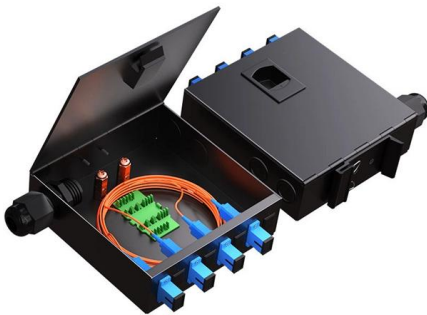
Thailand's Semiconductor and Electronics Industry

Thailand's capabilities in the front-end semiconductor industry are limited. Conversely, it serves as a production hub for back-end semiconductor and downstream industries, including PCB, PCBA, and



Electronic Contract Manufacturing , Bluechips Microhouse

Full-Product Manufacturing Manufacturing with Bluechips means that you can trust one supplier with the entire production of your goods. Whether it is a small and simple PCB or a complex box-build, our

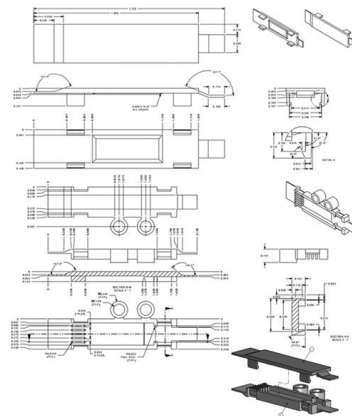


PRODUCTS

We also handle unit product assembly, overseas products, and proxy purchasing. There are many companies handling. Please contact us. Please contact us using

Power Modules , Delta Electronics (Thailand) PCL.

Power Modules Delta Power Modules are Point of Load (POL) DC-DC converters integrating controller chips, chokes and I/O capacitors into a single power



A Japanese ITC-acquired electronics trading company

A Japanese ITC-acquired electronics trading company that also has an ISO-certified assembly plant Please feel free to contact us for domestic and overseas



Thai Microelectronics Center (TMEC)

Thai Microelectronics Center (TMEC) is a research unit under National Electronics and Computer Technology Center (NECTEC). TMEC core technology is the silicon process technology focusing on



Thai Microelectronics Center

Missions To enhance the capabilities of electronic industry in Thailand by developing microelectronic product prototypes and products for industrial applications,

Bluechips Microhouse , Electronic Manufacturing Services

Bluechips Microhouse ist ein deutsches EMS-Unternehmen in Familienbesitz mit Sitz in Chiang Mai, Thailand. Seit mehr als 20 Jahren ist Bluechips aufgrund unseres Fokus auf Qualität und Flexibilität





Infineon Begins Power Module Plant in Thailand, Opening in 2026

Infineon begins building a new power module plant in Thailand, set for operation in 2026, supporting global decarbonization and enhancing supply chain resilience.

Tianma Accelerates Global Expansion with New

Tianma's decision to invest in Thailand is a multifaceted strategy aimed at leveraging the region's growing demand for high-quality display modules



From standard 1U to 8U sizes to fully customized Non-standard enclosures.

Contact Us

For datasheets, pricing, or custom telecom energy solutions, please visit:
<https://www.koskolong.co.za>