



**Adam Tas Corridor Energy**

# **The distribution box rails are too slippery**





## Overview

---

Check the electrical load and ensure that the sensors do not exceed the 10 Amp maximum. Any ideas on how to fix this basic but frustrating server rack rail issue?

Trying to get this rack rail to full extend?

Any ideas?

Thank you. Just for clarification -- when you say "fully extend", what do you mean?

It looks like what you have is the rack portion of a 2-piece slide rail. They serve as the intermediary between the septic tank and the drain field, ensuring that effluent is evenly distributed across the leach lines. During the construction and installation process, the methods to solve and prevent the failure of the distribution box include: Quality inspection: Make sure the distribution box and its components meet the standards, check whether the wiring is firm, and whether the materials are qualified. Distribution boxes are the unsung heroes of our electrical systems, quietly managing power until something goes wrong.



## The distribution box rails are too slippery

---



### Common troubleshooting of distribution boxes: analysis of causes of

That familiar sound of your circuit breaker clicking off - we've all been there. Distribution boxes are the unsung heroes of our electrical systems, quietly managing power until something goes wrong. When

### Fixing A Poorly Aligned Drawer / Drawer Slide Problem

This video covers a SPECIFIC problem that may be hard to track down for those that don't know about it. It is not about making general alignment adjustments



### What is the general fault of the distribution box? How to

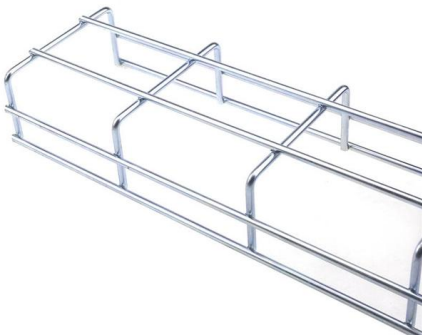
How to maintain the distribution box The distribution box manufacturer here must pay attention to the maintenance of the distribution box in the whole process of its

### How to solve the problem of distribution box installation

The iron sheet of the distribution box is too thin and the rigidity is poor, forming severe



deformation between the shell and the door surface, and the sealing gap

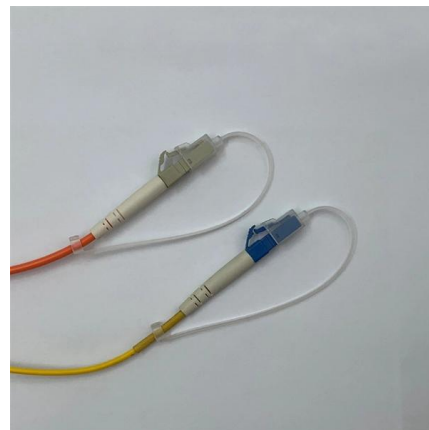


### **Common Issues and Troubleshooting for 3 Phase Electrical**

This blog explores common problems associated with 3-phase power distribution boxes and offers practical troubleshooting tips to keep your system running smoothly.

### **How to solve and prevent the failure of the distribution**

To sum up, qualified construction and maintenance operations, in conjunction with standards and safety measures, can effectively prevent and solve distribution box



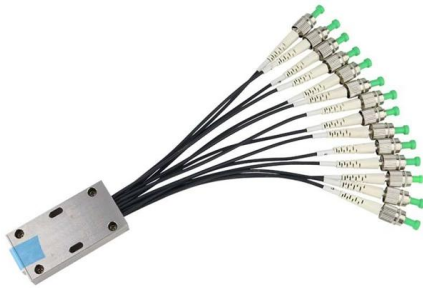
### **What are the common problems of distribution boxes?**

However, the internal layout of some distribution boxes is chaotic, and the wires are messy, which not only affects the appearance, but also may



## QUICK FIX Deck Rail Flower Boxes , Celebrate Creativity %

Gardening, Home & Garden QUICK FIX Deck Rail Flower Boxes Flower Boxes Flower Boxes can add special appeal just about anywhere you put



## Common troubleshooting of distribution boxes: analysis of causes of

Distribution boxes are the unsung heroes of our electrical systems, quietly managing power until something goes wrong. When they start tripping, overheating, or making strange noises, it's more

## 7 Signs Your Septic Distribution Box Is Failing & How to Fix

Frequently Asked Questions About Septic Distribution Box Failure & Repair What is a septic distribution box and why is it important? The septic system distribution box, often called a D



## Septic Distribution Box Problems: Detection, Causes, and Repair

Septic distribution box problems explained, including how to detect issues, common causes, warning signs, and effective repair solutions to protect your system.



### **Any ideas on how to fix this basic but frustrating server**

It is designed to bridge the left or right side of a rack. Then, the



### **Comprehensive Guide to Clogged Septic Distribution Boxes**

Explore essential insights on clogged septic distribution boxes, including causes, signs, prevention, and effective solutions.



### **How do I make a pvc box rail slippery? : r/skiing**

I just built a pvc box rail that has 5 1.5 inch pvc pipes across it and it isn't slippery at all. I tried rubbing my block of ski wax on it but it doesn't get any faster.





## Comprehensive Guide to Septic Tank Distribution Box Issues

One of the most common issues with distribution boxes is clogging. Over time, debris, sludge, and other materials can accumulate, blocking the outlets and preventing proper flow. This

## How to Install a Cable Distribution Box Safely and

In modern electrical systems, cable distribution boxes (also known as electrical distribution boxes or distribution boxes) play a crucial role as the key



## Dell ReadyRails FATAL design flaw

Dell ReadyRails p/n 00TKYT has a FATAL design flaw. Imagine unboxing that fully loaded Dell server, racking it and then suddenly realizing it is

## Step-by-Step Guide: Testing a Septic Tank Distribution Box

The septic distribution box (D-box) sits between the septic tank and the drain field. Its job is to evenly distribute wastewater from the tank into several drain field lines for proper absorption. When the D



### Power Distribution Box

Be sure that the power distribution box has sufficient power provided to it. Long cable runs can result in a voltage drop, which can be solved by using a heavy gauge wire.



### Am I doing something wrong or are my dell rails too short?

I'm trying to install a dell r710 - which I bought from orange computers and came with sliding rails. I can't seem to find a way to make them longer; could I be doing something wrong or have I been shipped



### Most Common Septic Tank Distribution Box Problems And Solutions

7. Weather-Related Issues Weather is also responsible for some of the common problems with septic tank distribution boxes. For instance, when it rains heavily, flooding and



## Most Common Septic Tank Distribution Box Problems And Solutions

In this guide, I have discussed ten of the common problems with a septic tank distribution box (D-box) and how to fix them. 1. Clogging. If you've had your septic system for a while, you have



## How to deal with faults in electric ready boards?

Troubleshooting: Use professional knowledge and tools such as multimeters, megohmmeters, etc. to conduct a detailed inspection of the distribution box. Determine the specific location and cause of the

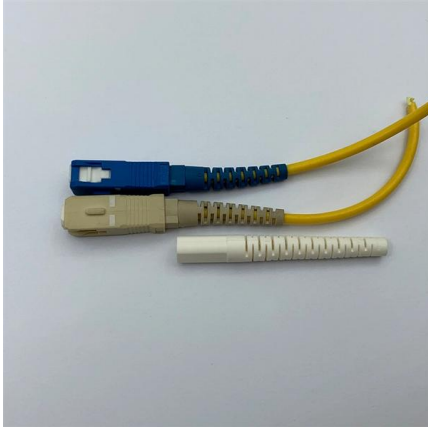
## The Complete Guide to Distribution Box: Installation, Types & More

Blog The Complete Guide to Distribution Box: Installation, Types & More By Admin Aug 2, 2025 No Comments # distribution box Introduction Electrical systems power our homes, offices, and



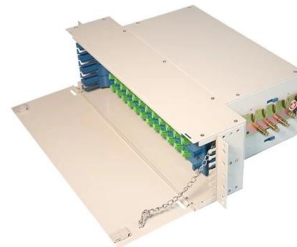
## Septic System D-Box Inspect & Repair

Septic system D box inspection & problem diagnosis: procedures for inspecting or diagnosing problems at the the septic drainfield distribution box, or the "D-box" or "drop box". If the D-box is leaking,



## Septic System D-Box Clogs, Floods, Leaks, Odors

Septic drop box or D-box leaks & flooding: This article explains the causes & suggests cures for effluent leaks, odors, or smells at the septic distribution box. If the D-box is leaking, smells, or is tipped,



## Contact Us

---

For datasheets, pricing, or custom telecom energy solutions, please visit:  
<https://www.koskolong.co.za>