



**Adam Tas Corridor Energy**

# **Underground Fiber Optic Cable Monitoring**





## Underground Fiber Optic Cable Monitoring

---



### underground optical fiber cables

Fiberplan GYTA53 Double Armored Underground Optical Fiber Cable 1-144 Cores Description The fiber optic cable's design incorporates high modulus plastic tubes housing the fibers, fortified with a water

### Underground Fiber Optic Cable Installation: Top 5 Best

Explore expert tips and best practices for underground fiber optic cable installation, ensuring efficiency and reliability. Get insights now!



### The FOA Reference For Fiber Optics -Outside Plant

Introduction Review Of Fiber Optic Technology. Project Preparation And Guidelines. Underground Cable Construction. Underground Cable Installation. Aerial Cable

### Prevent Cable Failures w. Underground Cable

Discover how fiber optic sensing enhances buried cable monitoring, enabling early fault detection,



proactive maintenance, and increased network reliability.



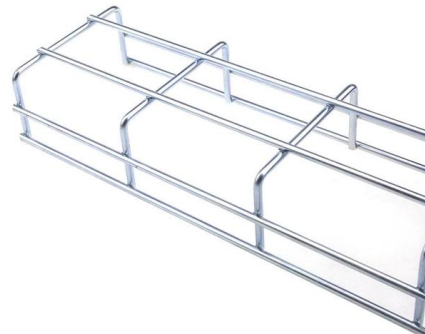
### Fiber Optic Cable Manufacturing Process: How They

Fiber optic cables are the backbone of today's high-speed internet, telecommunication systems, and data transfer technologies. Unlike traditional



### Advances in fibre optic based geotechnical monitoring systems for

Recent advances in various FOS based monitoring systems, including Brillouin time domain distributed optical sensors and fibre Bragg grating (FBG) sensors, are investigated through a



### Underground Fiber Cable Installation Cost Guide

Learn the real cost of underground fiber optic cable installation, including trenching, materials, labor, and infrastructure requirements.





## Revolutionizing Underground Utility Asset Monitoring

Rather than building new infrastructure, there is an existing solution that revolutionizes utility asset monitoring--fiber optic cable. Already buried in



## Aerial And Underground Construction Of Fiber Optic Cable

Description - notice\_title: Aerial And Underground Construction Of Fiber Optic Cable Infrastructure Global Tenders is not only confined to tenders but we also upload crucial information,

## Underground Fiber Optic Cable: Top Tips & Costs in 2024

Learn about underground fiber optic cable installation, types, costs, and maintenance. Discover expert tips and best practices.



## Underground Installation of Optic Fiber Cable Placing

Placing cables underground has the added benefits of reducing transmission losses, aiding planning consent and reduced risk of service supply loss through extreme weather. This practice covers the



## How to Install Fiber Optic Cable Underground

Step-by-step guidance for planning and executing safe, durable underground fiber optic infrastructure from start to functional completion.



## Edward Snowden: Leaks that exposed US spy

GCHQ was able to boast a larger collection of data than the US, tapping into 200 fibre-optic cables to give it the ability to monitor up to 600 million

## Fiber Optic Cable Between Buildings: Business Planning Guide

Plan fiber optic cable between buildings correctly. Learn key factors businesses must consider before hiring fiber optic cable contractors.





## Case Study: Fiber Optic network installation and Monitoring at Cihan

The design of communication network optical fiber cable condition monitoring system based on distributed optical fiber sensor Conference Paper May 2018 Bin-hui Tang Zhen-xing Zhou

## Distributed fibre optic sensing for ground monitoring in underground

This paper presents continuous fibre optic monitoring as an economical, dependable approach that offers critical data to mine managers. It outlines the foundational principles of fibre optic sensing and



## Fiber optic sensing technology in underground pipeline health

As such, fiber optic sensing technology (FOST) has emerged as a promising tool for underground pipeline monitoring. This review article provides a comprehensive overview of FOST,

## Fiber-Optic Sensing Technologies for Underground Pipeline

This article also discusses persistent technical and operational challenges and presents potential solutions to overcome the current limitations. Overall, this review serves as a reference for advancing





## Cable monitoring - sensorlines



FOGrid is Sensor lines' comprehensive and easy to deploy solution to ensure a continuous real-time monitoring of the integrity of buried or overhead cables,

## Urgent! Fiber optic splicer jobs

Search and apply for the latest Fiber optic splicer jobs. Verified employers. Free, fast and easy way find a job of 5.100+ current vacancies in Qatar and abroad.



## Fiber Optic Cables , Fiber Patch Cables , Patch Cords,

Fiber Patch Cables, Multimode & Singlemode Duplex Fiber Optic Cables, Secure Order Fiber Patch Cords, Preferred Mil. Edu. Gov. Pricing, Same Day Shipping

## Fiber Optic Temperature Monitoring Manufacturers & Factories in Riyadh

Fiber Optic Temperature Monitoring in Riyadh's Industrial Landscape Saudi Arabia's capital is rapidly evolving into a global hub for smart energy and industrial automation -- driving unprecedented



### **Submarine Cable Map**

TeleGeography's comprehensive and regularly updated interactive map of the world's major submarine cable systems and landing stations.



### **Machine for Fiber Laying Underground: A Complete 2026 Guide**

A machine for fiber laying underground is a specialized engineering device built exclusively to install fiber optic cables, protective conduits, and related communication pipelines



### **Advanced Cable Monitoring Techniques For Earlier Failure Warning**

New advances in fibre optic sensing techniques are now offering better visibility of buried cable operation and earlier warning of cable degradation issues endemic in the underground cable environment.



## Fiber Optics Bids, RFPs & Government Contracts , Find RFP

Find RFP searches and finds fiber optics bids, contracts, and request for proposals. Below is a sample search result showing the newly published government contracts and bids in fiber optics,



## Dual use of existing underground fiber-optic internet cables as sensors

A new initiative could see existing fiber-optic internet cables double up as sensor networks for applications including environmental monitoring.

## Multi-Parameter Optical Monitoring Solution Applied to

This work presents an optical fiber multi-parameter monitoring solution applied to an underground power distribution network, in which a major



## Fiber Installation Costs: Real Numbers for Underground

Material Costs for Underground Projects Armored fiber optic cables designed for direct burial cost \$6-14 per linear foot. These cables include gel-filled cores and



## Contact Us

---

For datasheets, pricing, or custom telecom energy solutions, please visit:  
<https://www.koskolong.co.za>