



**Adam Tas Corridor Energy**

# **Use of Optical Attenuators**





## Overview

---

Optical attenuators are commonly used in fiber-optic communications, either to test power level margins by temporarily adding a calibrated amount of signal loss, or installed permanently to properly match transmitter and receiver levels. The power reduction is done by such means as absorption, reflection, diffusion, scattering, deflection, diffraction, and dispersion, etc.



## Use of Optical Attenuators

---



### Optical Attenuators , Precision, Types & Applications

Types of Optical Attenuators Optical attenuators are categorized based on their attenuation mechanism and adjustability: Fixed Optical

### Understanding Optical Attenuators: Functions, Types,

Optical attenuators are critical devices used in managing the intensity of optical signals in fiber optic communications. Their primary function is to



### Compact Motorized Laser Power Attenuator

Compact motorized device for laser power control of linearly polarized beam. Attenuator features unique mechanical design which ensures repeatability and

### Set Up a Fiber-Optic Network in Your Home or Office

Learn about the various fiber-optic components used for running fiber in your house, office, or



between buildings. Find out how to use fiber optics for



### **Optical attenuators and terminators: How they work and**

These devices may not work properly or may even be damaged if the light that reaches them is too powerful or if light reflected from the optical fiber

### **Optical Attenuators - fixed, variable, VOA, high-power, fiber-optic**

Optical attenuators are devices which can be used to attenuate a light beam, i.e., to reduce its optical power. The amount of attenuation in a certain spectral range is often specified in terms of an optical



### **How Do Fibre Attenuators Ensure Precision in Optical Communication?**

Introduction to Fibre Attenuators in Digital Infrastructure Fibre Attenuators are critical components that help control optical signal strength within fibre optic systems. As modern electronics



## Optical Attenuator

An optical attenuator is a passive optical device that has a function opposite to that of an optical amplifier. It contains optical absorption materials and is used to reduce the power of optical signals in



## Fiber Optic Attenuators: Wiki, Types, When and How to Use

Learn what fiber optic attenuator is, how it reduces the power level of an optical signal, different types of optical attenuators, and when and how to use them.

## Optical Attenuators: Types, Principles & Calculations

Complete guide to optical attenuators: fixed, stepwise & continuous types. Learn gap-loss, absorptive & reflective principles plus attenuation



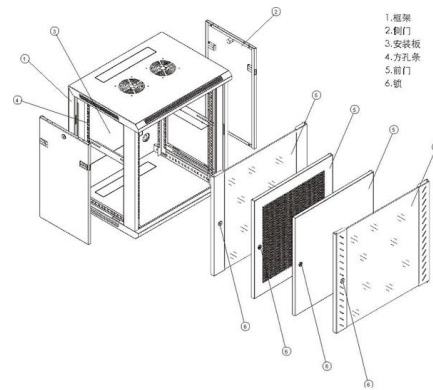
## LC Fiber Optics: The Ultimate Guide to High-Density, High

Explore high-performance LC fiber optic solutions including connectors, patch cables, adapters, patch panels, and attenuators. Optimize your data center and enterprise networks with



## Mastering Optical Attenuators in Optical Physics

Explore the world of Optical Attenuators, their types, applications, and significance in Optical Physics, enhancing your understanding of signal management.



## Fiber Optic Attenuators , Optoelectronics , DigiKey

Fiber Optic Attenuators Fiber optic attenuators are devices used to reduce or monitor the power level of a fiber optic signal. Basic types of fixed attenuation include



## Optical Attenuators

Understanding Optical Attenuators Introduction Optical attenuators are devices used to reduce the optical power of a light beam. They are essential in various





## How Do Fibre Attenuators Improve Signal Control in Optical Networks?

Understanding the Purpose of Fibre Attenuators  
Fibre Attenuators are essential components in fibre optic systems that help regulate the intensity of optical signals. In modern electronics and communication

## What Is an Optical Attenuator and When Do You Need One?

Whether in data centers, telecom networks, or FTTH deployments, optical attenuators play a crucial role in managing signal power, protecting sensitive equipment, and ensuring stable performance.



## The Ultimate Guide to Optical Attenuators

Dive into the world of Optical Attenuators, exploring their principles, types, and applications in various fields, including telecommunications and laser technology.

## OZ Optics Online , Fiber Optic Attenuators

OZ Optics offers a broad range of both variable and fixed attenuators having key competitive advantages. All of our attenuators operate over the two standard



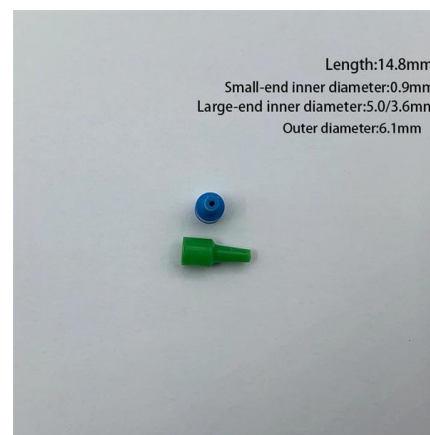


## Optical attenuator

Optical attenuator Variable Optical Attenuator An optical attenuator, or fiber optic attenuator, is a device used to reduce the power level of an optical signal, either in free space or in an optical fiber. The

## Optical Attenuators , Precision, Types & Applications

Explore the world of optical attenuators, their precision, types, and applications in telecommunications, testing, and signal management.



## Mini Variable Optical Attenuators (Mini VOA) Market Size

Mini Variable Optical Attenuators (Mini VOA) Market size was valued at USD 1.2 Billion in 2024 and is poised to grow from USD 1.



## The Ultimate Guide to Optical Attenuators

Principles of Optical Attenuators Optical attenuators are crucial components in various optical systems, used to reduce the power of an optical signal. Understanding their principles is



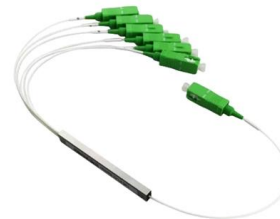
### **What Is an Optical Attenuator and How Does It Work?**

An optical attenuator is a passive device that reduces optical power in a controlled way without changing the signal format. In fiber systems, attenuation



### **Fiber Optic Attenuators , Suppliers , Photonics Buyers' Guide**

Explore 43 top manufacturers and suppliers of Fiber Optic Attenuators in our comprehensive photonics buyers' guide. A fiber optic attenuator is a passive optical component designed to attenuate or



### **Silicon Photonics Market Size Report 2025**

Silicon Photonics Market by Product (Transceivers, Variable Optical Attenuators, Switches, Sensors and Cables), Components (Lasers, Modulators, Optical



## Contact Us

---

For datasheets, pricing, or custom telecom energy solutions, please visit:  
<https://www.koskolong.co.za>