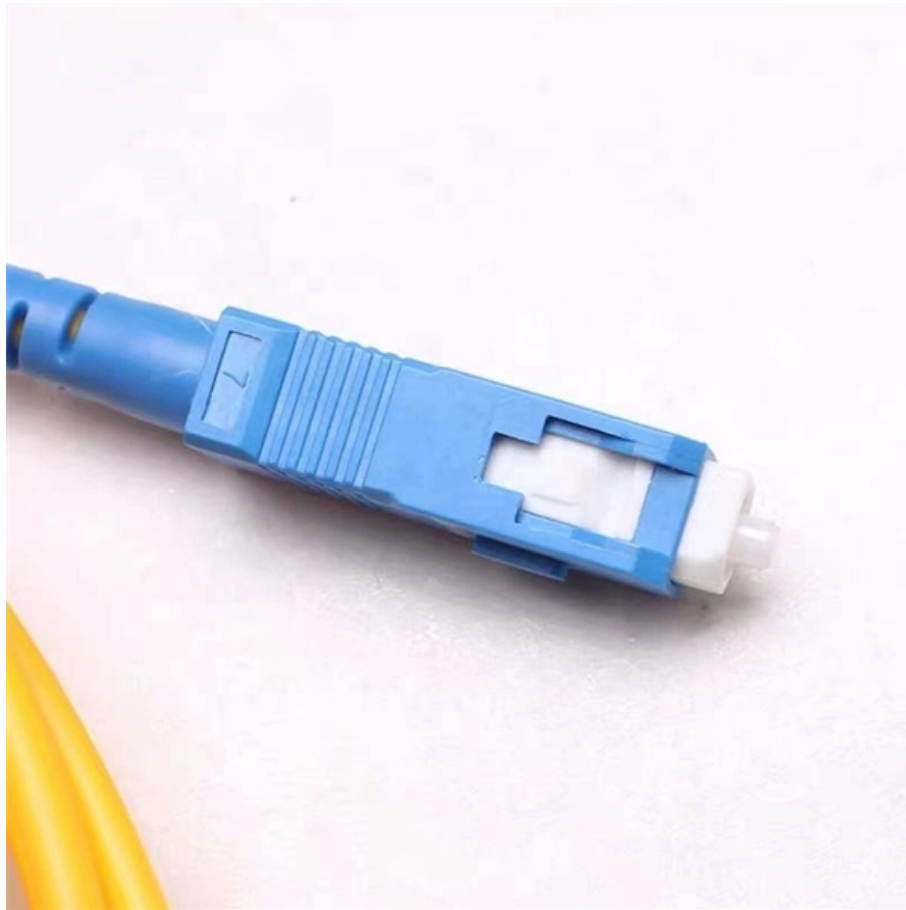




**Adam Tas Corridor Energy**

# **Vietnam Fiber Optic Enterprise Router NRZ**





## Vietnam Fiber Optic Enterprise Router NRZ

---



### Vietnam Fiber Optic Component Industry: Innovations

With Vietnam emerging as a regional technology hub, the demand for fiber optic networks is increasing across sectors such as telecommunications,

### Vietnam Fiber Optics Cable Market Trends, Growth,

The Vietnam Fiber Optics Cable Market is experiencing accelerated growth due to a convergence of technological advancements and increasing



### Vietnam Plans to Boost Internet Speeds with 10 New Subsea Cable

With the addition of 10 new routes, Vietnam will soon have a total of 15 undersea fiber optic cable routes.

### Vietnam Fiber Optic Component Market Outlook to 2030

The Vietnam fiber optic component market is expected to witness remarkable growth by 2028,



driven by continued investments in digital infrastructure, expansion of



**DATA ADJUSTABLE, EASY TO USE**



SET INCREASE DECREASE POWER SWITCH

### **Vietnam's VNPT deploys 10G fiber broadband with Nokia**

Vietnam Posts and Telecommunications (VNPT) has begun deployment of 10G fiber broadband with Nokia. The initial rollout will connect 10,000 homes and businesses in the 8 largest

### **Fiber-optic cable strategy to give VN more control of**

Deputy Chair of the Vietnam Internet Association (VIA) Vu The Binh said Vietnam's international fiber optic cable network strategy will allow the



### **Viettel Group Case Study , HPE Juniper Networking US**

To efficiently meet growing demand for mobile and broadband



## Vietnam Fiber Optic Components Market (2024-2030) , Trends,

The Vietnam fiber optic components market is witnessing robust growth due to the expanding telecommunications and data transmission sectors. Fiber optic components, such as connectors,



## Springboard to the future: How VNPT's embrace of 10G

The adoption of Qualcomm Technologies' 10G Fiber Wi-Fi 7 networking platform has significantly upgraded its broadband infrastructure,

## Vietnam's VNPT to Build the Most Modern Glass

Earlier, in February 2017, VNPT officially began the construction of the first-in-Vietnam glass fiber factory for optical information, covering an area of



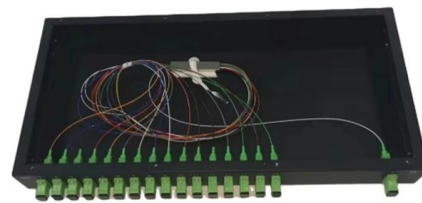
## 11 companies for Fiber Optic Telecommunications in Vietnam

The company specializes in providing high-speed internet services and scalable connectivity solutions, which are essential for fiber optic telecommunications.



## Vietnam Fibre Optic Components Market, Competition, Forecast and

Vietnam Fibre Optic Components Market was valued at USD 583.17 million in 2022 and is anticipated to project robust growth in the forecast period with a CAGR of 9.21% through 2028. The Vietnam fiber



## Government decides to provide fibre-optic internet for all by 2030

Vi?t Nam has set a new strategic goal to make fibre-optic internet available to all cities and provinces, industrial facilities and households across the country by 2030.

## 5 best and most stable fiber optic internet networks in

Optical cable internet has become a familiar service for households and businesses. Let's take a look at the five best and most stable fiber optic





## Mastering NRZ in Optical Communications

Over the years, NRZ encoding has evolved to support higher data rates and longer transmission distances. The development of erbium-doped fiber amplifiers (EDFAs) and wavelength

## Self-reliance in submarine fiber optic cables: A strategy

Self-reliance in submarine fiber optic cables: A strategy for Vietnam to position itself on the global digital map. In the global race for digital sovereignty, self-reliance in



## Government decides to provide fibre-optic internet for all

Vi?t Nam has set a new strategic goal to make fibre-optic internet available to all cities and provinces, industrial facilities and households across the

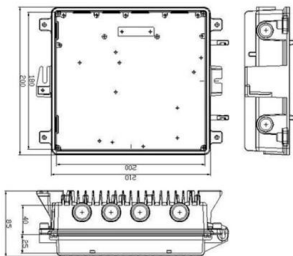
## Enterprise optical network-all-optical access-FTTR-SME

The Huawei FTTR-SME OptiXstar B50 can function an intelligent optical network hub for SMEs by providing converged network, cloud, security, video, and computing services. It can be used to build



### **The Current State of Vietnam's Broadband Internet**

As a result, Vietnam has made considerable strides toward increasing internet penetration; by the end of 2021, it is expected that



### **Vietnam Fibre Optic Components Market Size and Trends 2028**

The Northern Vietnam has established itself as the leader in the Vietnam fibre optic components market with a significant revenue share in 2022. This dominance is a testament to the region's pivotal role in



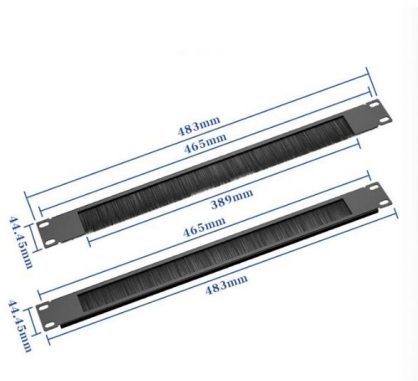
### **Vietnam to ensure fibre-optic internet access by 2030**

Vietnam is committed to ensuring universal access to fibre-optic internet by 2030, aiming to connect every city, province, industrial facility, and household nationwide.



## Top 6 Best Fiber Optic Service Providers in Vietnam

Officially introduced in Vietnam in 1997, the Internet has rapidly grown. With 52% of the population as users, Vietnam has become the country with the highest Internet user count. In response to this



## Internet in Vietnam: your connectivity survival guide for

Recent government initiatives target 99% 5G coverage by 2025, with fiber-optic networks expanding rapidly into previously underserved regions,

## Government decides to provide fibre-optic internet for all

HÀ N?I -- Vi?t Nam has set a new strategic goal to make fibre-optic internet available to all cities and provinces, industrial facilities and households



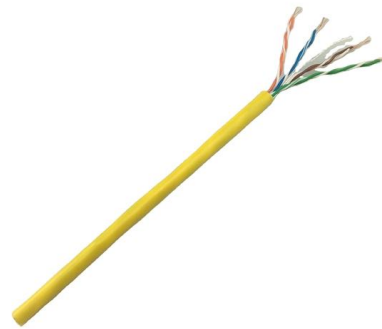
## Enterprise optical network-all-optical access-FTTR-SME

Huawei's FTTR-SME solution is designed to meet the service and network requirements of small- and medium-sized enterprises. It uses a single optical fiber to build a "small and beautiful" high-quality



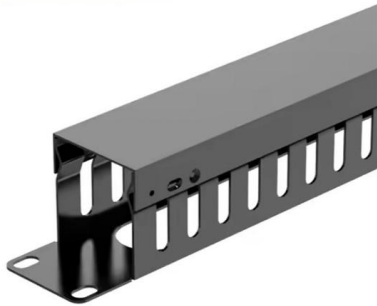
### **Putting into operation at least 10 more undersea fiber optic cable**

State-owned enterprises pioneered the deployment of international fiber optic cables, promoting domestic and foreign businesses to participate in investment and construction to quickly



### **Vietnam Fibre Optic Components Market, Competition, Forecast and**

The Northern Vietnam has established itself as the leader in the Vietnam fibre optic components market with a significant revenue share in 2022. This dominance is a testament to the region's pivotal role in



### **Vietnam Fiber Optic Component Industry: Innovations**

The Vietnam Fiber Optic Component Industry is experiencing rapid growth due to increasing demand for high-speed internet, advancements in 5G





## Contact Us

---

For datasheets, pricing, or custom telecom energy solutions, please visit:  
<https://www.koskolong.co.za>