



Adam Tas Corridor Energy

What are network cabinet shelf partitions





What are network cabinet shelf partitions



What is a Network Cabinet (Rack) and Why You Need

Discover what a network cabinet (rack) is, why it's essential and how to choose the right type (wall mount vs floor mounted closet).

Navepoint 1U 19-Inch Sliding IT Network Cabinet Shelf 20.25

Amazon : Navepoint 1U 19-Inch Sliding IT Network Cabinet Shelf 20.25" Max Mounting Depth Cabinet Enclosure Black : Electronics
Amazon Return Policy: Amazon Voluntary 30-Day



What are the primary functions of a network cabinet in an IT

Expandable Space: Network cabinets are typically designed with enough space to allow for future expansion. Whether it's adding additional servers or network switches, a network cabinet



Advantages of Sliding Shelf Rack in Server and Network

Discover how sliding shelf racks enhance space, accessibility, cooling, and safety in server and



network cabinets for optimal performance.

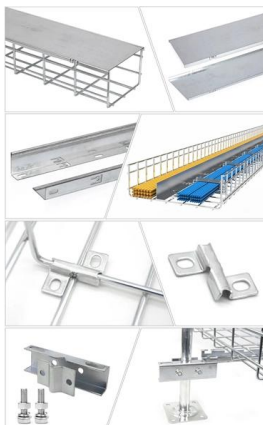


The Ultimate Guide to Network Cabinets: Everything You Need to Know

"A network cabinet is a metal shelter used for apprehending networking devices like routers, switches, patch panels and servers." Such enclosures assist you in systematizing as well as

Network Cabinet Shelf, Different Types & Sizes

Network Cabinet Shelf, Different Types & Sizes Product Descriptions ETC cabinets for use in a data center, broadcast studio, commercial enterprise, industrial facility or other application.



The Ultimate Guide to Racks and Enclosures: The Best

Network cabinet, it is important that you understand the difference between all the products available in the market. This will help you find the right



How Rack Shelves Can Make Your Network Equipment

A fixed shelf for 450 mm (17.7-inch) cabinets
A fixed shelf for 600 mm (23.6-inch) cabinets
An adjustable shelf for 600 mm cabinets, with a movable rail

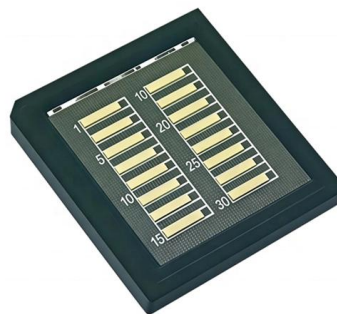


A Beginners' Guide to Server Rack and Cabinet

Server racks can also be named as LAN racks or network racks. A server rack or network cabinet is designed to accommodate different technical devices,

How Rack Shelves Can Make Your Network Equipment

But there is a fairly simple way to build flexibility into your network and to shorten the time it takes to make such improvements: install rack shelves.



The Essential Guide to Network Cabinet Systems:

Network cabinet systems, also known as server racks or network enclosures, are specialized cabinets designed to house and organize various networking



What are the primary functions of a network cabinet in an IT

A network cabinet provides dedicated space to store these devices, often with rack-mounted shelves or rails that allow equipment to be securely mounted and arranged.



Optimize Your IT Setup with Gcabling Server Rack Shelf

Discover Gcabling's server rack shelf options, including 1U shelves, sliding trays, and heavy-duty rack mount server shelves - ideal for any server



The Ultimate Guide to Network Cabinets: Everything

It is really frustrating to organise and manage the tangled web of cables, servers and networks. But there's nothing to worry about because ever



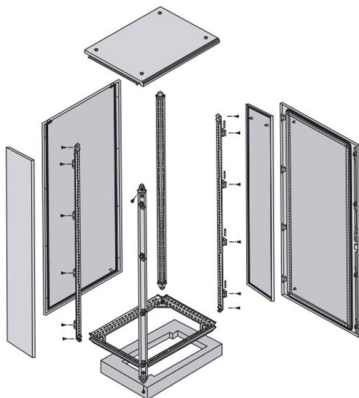
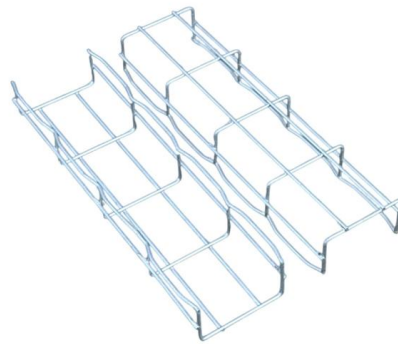


Network Cabinet Shelves - Bellcom Technologies

2U Cantilever 350mm Network Shelf Constructed from medium duty metal, Cantilever rack shelves are the most versatile way to store your non-rack mountable components. Whether it is your free

Amazon : Network Rack Shelves

StarTech 2U Server Rack Shelf - Universal Vented Rack Mount Cantilever Tray for 19" Network Equipment Rack & Cabinet - Heavy Duty Steel - Weight Capacity 50lb/23kg - 16" Deep Shelf, TAA



Data Center Racks, Cabinets, and Cages: An In-Depth Guide

Inside a data center, a labyrinth of servers and high-tech networking gear are arranged in specialized racks, secure cabinets,

Organising and wiring a rack cabinet: a complete guide

A network rack cabinet or panel contains servers, patch panels, connection panels and circuit breakers in a modular assembly, bolted to ensure security and efficient





Any reason why I should NOT put a wall-mount network rack on a

I'm looking to a build a network/server cabinet - but I'll be building it within in-built cabinetry (around 600mm depth). But this means internal space is actually going to be probably closer to 550mm which

Network Cabinets: The Essential Guide for Your IT Infrastructure -

A network cabinet is a special box that holds your IT gear, like servers, switches, routers, and patch panels. It keeps everything tidy, safe from damage, and secure from unauthorized access.



Amazon .uk: Network Rack

Tecmojo 6U 330mm Depth 10 inch wide server network rack, Network Cabinet with Rack Shelf, Brush Panels, Cable Organizer for Small AV/IT/Data Devices, 50kg Capacity, White 4.3 (67) £6990 FREE

Network Rack Shelf, Rackmount Shelves - Primus Cable

Network Rack Shelf - This network shelf adjusts from 22" to 36" and fits 19" EIA compliant 4 post racks and server cabinets. Primus Cable offers a wide range of centerline and utility network rack shelves



What is the difference between a Server cabinet and a

Explore the key differences between server and network cabinets in IT infrastructure, focusing on size, cooling, design, and equipment needs.



What is a Network Cabinet (Rack) and Why You Need

If you're new to networking or wondering whether you need a network cabinet, this beginner's guide will help you understand what they are, how they



Network Cabinet: Complete Guide for the Best Choice

Choosing the Network Cabinet is crucial to ensure the organization, safety, and efficiency of IT equipment. A well-selected cabinet not only optimizes





Contact Us

For datasheets, pricing, or custom telecom energy solutions, please visit:
<https://www.koskolong.co.za>